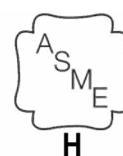


BAXI

LUNA DUO-TEC 1.70 LUNA DUO-TEC 1.110

en	CONDENSING GAS FIRED WALL MOUNTED COMBINATION BOILER
	Installation and Service Manual

fr	CHAUDIÈRE MURALE À GAZ À CONDENSATION À DEUX SERVICES
	Installateur et service manuel



CONTENTS

SAFETY INFORMATION	3
DEFINITIONS	3
SPECIAL ATTENTION BOXES	3
OTHER DEFINITIONS	3
BEFORE INSTALLING AND WHILE SERVICING THE BOILER	4
DURING BOILER OPERATION	4
BOILER WATER	4
FREEZE PROTECTION FLUIDS	5
HEATING APPLIANCE REMOVAL FROM A COMMON VENT SYSTEM	5
CONDENSATE REMOVAL SYSTEM	5
1. INTRODUCTION	6
2. TECHNICAL DATA	6
2.1 PERFORMANCE	6
2.2 PARAMETER SETTINGS FOR HIGH ALTITUDE	7
2.3 SYSTEM	7
2.4 MAIN COMPONENTS	8
2.5 GENERAL INSTALLATION INFORMATION	8
2.6 ELECTRICAL	9
2.7 AVAILABLE PUMP HEAD FOR CENTRAL HEATING	9
2.8 BOILER SCHEMATIC	10
3. GENERAL BOILER INFORMATION	12
SERVICE CLEARANCES	12
3.1 SELECTING THE BOILER LOCATION	13
3.2 POSITIONING THE BOILER	13
3.3 FIT THE BOILER	13
3.4 FLUSHING THE SYSTEM	13
3.5 GAS SUPPLY	14
3.6 ELECTRICAL SUPPLY	14
3.7 AIR SUPPLY	14
3.8 FROST PROTECTION MODE	14
3.9 CEASE PROTECTION	14
3.10 GAS PIPING	14
4. VENT SYSTEM	15
INSTALLING EXHAUST VENT AND INTAKE AIR VENT	15
4.1 VENTING INSTRUCTIONS	16
CONCENTRIC VENT SUPPORT	17
FLUE OPTIONS	17
CONCENTRIC VENT SCREW PLACEMENT	18
SEPARATED HORIZONTAL FLUE TERMINATION INSTALLATION OPTIONS	19
BAXI SINGLE PIPE POLYPROPYLENE SYSTEM (POWER VENTING)	19
SEPARATED FLUE TERMINATIONS	20
TWO PIPE VENT SUPPORT	20
DUAL FLUE MINIMUM TERMINATION DISTANCES	21
5. BOILER LOCATION	22
6. CENTRAL HEATING SYSTEM	23
6.1 FILLING THE SYSTEM	23
6.2 FILLING THE CONDENSATE TRAP	23
6.3 FILLING THE HEATING SYSTEM	24
7. TOXIC CHEMICALS	24
8. HEATING SYSTEM AND REFRIGERATION	25
9. INSTALLATION	25
9.1 CONNECT THE PIPEWORK	25
10. ELECTRICAL CONNECTIONS	26
10.1 ACCESS TO THE CONNECTION BLOCK	26
10.2 ACCESSORIES	27
10.3 FROST PROTECTION	28
10.4 DHW INDIRECT WATER HEATER	28
10.5 SHUTDOWN INPUT	29
10.6 RELEASE INPUT	29
10.7 OPTIONAL ELECTRICAL CONNECTIONS	29
10.8 EXAMPLES OF HYDRONIC CIRCUITS WITH AUXILIARY CONTROL BOARD	32
10.9 WIRING DIAGRAMS	33
11. COMMISSIONING	35
11.1 CONTROL PANEL	35
11.2 BEFORE COMMISSIONING	36
11.3 COMMISSIONING SETUP	36
11.4 PARAMETERS SETTINGS	39
11.5 READING MEASURED VALUES	43
11.6 STATUS AND SUB-STATUS	44
11.7 RETURN TO THE FACTORY SETTINGS	45
12. TROUBLESHOOTING	45
12.1 SHUTDOWNS AND LOCK-OUTS	47
12.2 ERROR HISTORY	50
13. MAINTENANCE	51
13.1 ROUTINE SERVICING	51
IMPORTANT NOTES PRIOR TO SERVICING	51
13.2 COMPONENT REPLACEMENT AND PERIODIC CLEANING	51
14. DISMANTLING, DISPOSAL AND RECYCLING	53

Licensed Qualified Installer / Service Technician

Read all instructions in this manual, and the Boiler Venting section, before installing, servicing or performing maintenance. Ensure all steps are performed in the order given.

User

This manual is only to be used by a licensed qualified heating installer/service technician.

Refer to User's Guide for any instructions you may require.

Have this boiler serviced/inspected by a Licensed qualified service technician annually.

After commissioning make sure you are advised, and demonstrated if necessary, of all important points as described in section 2: "OPERATING THE BOILER" of the User's Guide.

SAFETY INFORMATION

DEFINITIONS

The following defined terms are used throughout this manual to bring attention to the presence of hazards at various risk levels, or to important information concerning the product.

SPECIAL ATTENTION BOXES



DANGER

"DANGER" indicates an imminently hazardous situation which, if not avoided, will result in death or serious injury.



WARNING

"WARNING" indicates a potentially hazardous situation which, if not avoided, could result in death or serious injury. If the information in this manual is not followed exactly, a fire or explosion may result causing property damage, personal injury or loss of life.



CAUTION

"CAUTION" indicates a potentially damaging situation which, if not avoided, could result in minor injuries and substantial product or property damage.



NOTICE

"NOTICE" indicates recommendations made by BAXI for the installers which help to ensure optimum operation and longevity of the equipment.

OTHER DEFINITIONS

Licensed Qualified Installer / Service Technician - any individual, firm, corporation or company that either directly or through a representative is engaged in the installation, replacement, repair or servicing of gas piping, venting systems, appliances, components, accessories, or equipment, and whose representative is experienced and trained, in such work and has complied with the requirements of the authority having jurisdiction.

STATE/FEDERAL REGULATIONS PERMIT THE INSTALLATION OF THIS PRODUCT ONLY BY AUTHORIZED GAS CONTRACTORS. HOWEVER, BAXI ADVISES THAT ONLY CONTRACTORS TRAINED IN THE SPECIFIC DETAILS OF THIS BAXI PRODUCT MUST UNDERTAKE INSTALLATION.

Service - the supply, installation, or maintenance of goods carried out by a Qualified Installer / Service Technician.

Gas Supplier - A party that sells the commodity of Natural Gas (Gas A) or Liquid Propane Gas (Gas E).

Domestic - Relating to household usage as opposed to commercial usage.

Domestic Water - Potable drinking water (tap water).

Combustion - The act or process of burning; a process wherein a fuel is combined with oxygen, usually at high temperature, producing heat.

Combustion Air - Air that is drawn into an appliance to mix with fuel and support combustion.

Flue - an enclosed passageway for conveying combustion gases.

Calibrate - make fine adjustments or divide into marked intervals for optimal measuring.

Appliance - a device to convert gas into energy; the term includes any component, control, wiring, piping or tubing required to be part of the device.

Boiler - an appliance intended to supply hot liquid for space-heating, processing or power purposes.

Two Pipe System - This type of venting allows for exhaust flue and intake air piping to be separated from each other. Fresh air may be drawn in at a different area from where the flue terminal is located.



WARNING

Failure to comply with these definitions could result in severe personal injury, death or substantial property damage. Failure to adhere to these guidelines could result in severe personal injury, death or substantial property damage.



WARNING

If the information in these instructions is not followed exactly, a fire or explosion may result causing property damage, personal injury or death.

Do not store or use gasoline or other flammable vapors and liquids in the vicinity of this or any other appliance.

WHAT TO DO IF YOU SMELL GAS

- Do not try to light any appliances.
- Do not touch any electrical switches; do not use any phones in your building.
- Immediately call your gas supplier or your licensed qualified service technician from a neighbor's phone. Follow the gas supplier's or licensed qualified personnel's instructions.
- If you cannot reach your gas supplier or your licensed qualified service technician, call the fire department.

Baxi recommends the use of a carbon monoxide detector in conjunction with the Baxi boiler product line. When installing a carbon monoxide detector, the manufacturer's instructions of the carbon monoxide detector must be followed in their entirety. It is recommended to use a carbon monoxide detector in compliance with a nationally recognised standard such as ANSI/UL 2034-2002 in the United States and CSA 6.19-01 in Canada.



WARNING

Installation and service must be performed by a gas supplier or a licensed qualified installer / service Technician. If overheating occurs or the gas supply fails to shut off, do not turn off or disconnect the electrical supply to the pump. Instead, shut off the gas supply at a location external to the appliance". Do not use this boiler if any part has been under water. Immediately call a qualified service technician to inspect the boiler and to replace any part of the control system or gas control which has been under water.

BEFORE INSTALLING AND WHILE SERVICING THE BOILER

- To avoid electric shock, disconnect the electrical supply before performing maintenance.
- To avoid severe burns, allow the boiler to cool before performing maintenance.

DURING BOILER OPERATION

- Do not block the combustion exhaust flue or intake air to the boiler.
- If overheating occurs or the gas supply fails to shut off, do not turn off or disconnect the electrical supply to the pump. Instead, shut off the gas supply at a location external to the appliance.
- Do not use this boiler if any part has been under water. Immediately call a qualified service technician to inspect the boiler and to replace any part of the control system or gas control that has been under water.

BOILER WATER

- If you have an old system with cast iron radiators, thoroughly flush the system, without boiler connected, to remove sediment. The high-efficiency heat exchanger can be damaged by build-up or corrosion caused by sediment.
- Do not use petroleum-based cleaning or sealing compounds in the boiler system, they can damage system gaskets and seals; resulting in substantial property damage..
- Do not use "homemade cures" or "boiler patent medicines". These may result in substantial damage to the property, the boiler, and / or serious personal injury.
- Continual fresh make-up water (i.e. auto-feed) will reduce the life of the boiler. Mineral build up in heat exchanger reduces heat transfer, overheats the stainless steel heat exchanger, and causes premature failure. The addition of oxygen carried in by make-up water can cause system components to internally corrode. Leaks in the boiler or piping must be repaired at once to prevent make-up water.
- We recommend the use of water treatment additives to prolong the life of the boiler and prevent against corrosion and contaminant build-ups in the heating system.
- Ensure piping in the heating system has an oxygen barrier.

FREEZE PROTECTION FLUIDS

CAUTION

Never use automotive or standard glycol antifreeze, or even ethylene glycol made for hydronic systems. Use only inhibited propylene glycol solutions, which are specifically formulated for hydronic systems. Ethylene glycol is toxic and can attack gaskets or seals used in hydronic systems. Ensure that the glycol used never exceeds 35% of the systems volume as this may damage the systems components. Consider piping and installation when determining a location for the boiler. Any claims for damage or shortage in a shipment must be filed immediately against the transportation company by the consignee.

HEATING APPLIANCE REMOVAL FROM A COMMON VENT SYSTEM

When removing an existing heating appliance, the steps below shall be followed. During this procedure each appliance remaining connected to the common vent system shall be placed in operation while the other appliances, remaining connected to the common vent system, are in standby.

- Seal any unused openings in the common vent system.
- Visually inspect the venting system for proper size and horizontal pitch to determine if there is blockage, leakage, corrosion or other deficiencies that could cause an unsafe condition.
- If possible, close all building doors, windows and doors between the space in which the appliance remains connected to the common vent system and other spaces in the building. Turn on clothes dryers and any appliances not connected to the common vent system. Turn on any exhaust fans, such as range hoods and bathroom exhausts, at maximum speed. Do not operate a summer exhaust fan. Close all fireplace dampers.
- Place in operation the appliance being inspected. Follow the lighting instructions. Adjust the thermostat so the appliance will operate continuously.
- Test for spillage at the draft hood relief opening 5 minutes after main burner operation using a match or candle flame.
- After determining each appliance remaining connected to common venting system properly vents when tested as outlined, return doors, windows, exhaust fans, fireplace dampers and any other gas burning appliance to their previous condition of use.
- Any improper operation of the common vent system must be corrected so the installation conforms to the National Fuel Gas Code, ANSI Z223.1.

When resizing any portion of the common vent system, the common vent system must be resized to approach the minimum size as determined using the appropriate tables in Appendix G in the National Fuel Gas Code, ANSI Z 223.1.

WARNING

Verify proper operation after servicing.

CONDENSATE REMOVAL SYSTEM

This vent is to be used on a efficiency condensing appliance; therefore this venting has a condensate removal system. Condensate is nothing more than water vapor, derived from the combustion products. It is very important that the condensate line is sloped away from the vent and down to a suitable inside drain. A condensate filter, if required by local authorities can be made up of lime crystals; marble or phosphate chips that will neutralize the condensate. This can be done in the field by the installer. It is also very important that the condensate line is not exposed to freezing temperatures, or any other type of blockage. Plastic tubing must be the only material used for the condensate line. Steel, brass, copper or others will be subject to corrosion or deterioration. A second vent may be necessary to prevent condensate line vacuum lock if a long horizontal run is used. Also, an increase in pipe size may be necessary to drain properly. Support of the condensation line may be necessary to avoid blockage of the condensate flow.

CAUTION

The condensate line must remain unobstructed, allowing free flow of condensate. If condensate is allowed to freeze in the line or if the line is obstructed in any other manner, condensate can exit from the boiler condensate trap, resulting in potential water damage to property.

Note:

Use materials approved by the authority having jurisdiction. In the absence of an authority, PVC and CPVC pipe must comply with ASTM D1785, F441 or D2665. Cement and primer must comply with ASTM D2564 or F493. For Canada, use CSA or ULC certified PVC or CPVC pipe, fittings and cement. When installing a condensate pump, select one approved for use with condensing boilers and furnaces. The pump should have an overflow switch to prevent property damage from condensate spillage. Condensate from the boiler will be slightly acidic (typically with a pH from 3.0 to 4.0). Install a neutralizing filter if required by local codes.

1. INTRODUCTION

The Luna DUO-TEC 1.70 and Luna DUO-TEC 1.110 are room-sealed, fan assisted, wall-hung, heat only condensing boilers. The boilers are designed for use with a fully pumped, sealed and pressurized heating system. The boilers are supplied with a pump, pressure relief valve and pressure gauge fully assembled and tested. The maximum output available for central heating is **216,329.68 btu/h (63.40 kW)** with a temperature rise of 70°F/39°C for the DUO-TEC 1.70 model and **348,038.28 btu/h (102.00 kW)** with a temperature rise of 70°F/39°C for the DUO-TEC 1.110 model.

WARNING

The law states that all gas appliances are installed by a competent person. It is your responsibility to comply with the law to ensure a safe and proper installation.

- In the United States, the installation must conform to the requirements of the authority having jurisdiction or, in the absence of such requirements, to the National Fuel Gas Code, ANSI Z223.1/NFPA 54. Where required by the authority having jurisdiction, the installation must conform to the Standard for Controls and Safety Devices for Automatically Fired Boilers, ANSI/ASME CSD-1. Safe lighting and other performance criteria were met regarding the gas manifold and control assembly provided on the boiler when the boiler underwent tests specified in ANSI Z21.13-latest edition.
- In Canada, the installation must conform with CGA B149.1 Natural Gas and Propane Installation code and/or the local installation code, plumbing or waste water codes and other codes as applicable.
- Ensure the boiler clearances to combustibles are adhered to and combustible material is protected properly.
- Manufacturer's instructions must NOT be taken in anyway as over-riding statutory obligations.

2. TECHNICAL DATA

2.1 PERFORMANCE

LUNA DUO-TEC 1.110				
Central Heating		MAX		MIN
		0-2,000 Ft 0-610 m	2,000-4,500 Ft 610-1,370 m	
Heat Input (Gross)	Btu/h	379,127	360,170	39,050
	kW	111.11	105.56	11.44
Heat Output (modulating)	Btu/h	348,038	330,978	36,885
	kW	102	97	10.8
Gas Rate A (Natural Gas)	ft ³ /h	377.34	360.42	39.11
	m ³ /h	10.69	10.21	1.11
Gas Rate E (LPG Gas)	ft ³ /h	149.16	139.80	15.86
	m ³ /h	4.22	3.96	0.45
Max. CH Water Temp. (Approx.)	°F	176		
	°C	80		

LUNA DUO-TEC 1.70				
Central Heating		MAX		MIN
		0-2,000 Ft 0-610 m	2,000-4,500 Ft 610-1,370 m	
Heat Input (Gross)	Btu/h	240,897	228,613	35,827
	kW	70.6	67.0	10.5
Heat Output (modulating)	Btu/h	216,330	205,411	32,074
	kW	63.4	60.2	9.4
Gas Rate A (Natural Gas)	ft ³ /h	242.59	228.22	35.90
	m ³ /h	6.87	6.46	1.01
Gas Rate E (LPG Gas)	ft ³ /h	95.04	90.00	13.50
	m ³ /h	2.69	2.55	0.38
Max. CH Water Temp. (Approx.)	°F	176		
	°C	80		

Gas type	Supply pressure (operating)	
	Min	Max
Gas Rate A (Natural Gas)	3.5 in w.c. / 8.7 mbar	10.5 in w.c. / 26.0 mbar
Gas Rate E (LPG Gas)	8.0 in w.c. / 20.0 mbar	13 in w.c. / 32.4 mbar

INSTALLER Section (en)

2.2 PARAMETER SETTINGS FOR HIGH ALTITUDE

LUNA DUO-TEC 1.70	Natural gas (A) 17.4 mbar 7.0 in w.c.		LP gas (E) 27.4 mbar 11.0 in w.c.	
	0 - 2000 Ft 0 - 610 m	2000 - 4500 Ft 610 – 1370 m	0 - 2000 Ft 0 - 610 m	2000 - 4500 Ft 610 – 1370 m
Fan Speed max (rpm) P17* - P18*	6400	6100	6100	5800
Fan Speed min (rpm) P19*	1600		1600	
CO Limit (ppm)	<400			

LUNA DUO-TEC 1.110	Natural gas (A) 17.4 mbar 7.0 in w.c.		LP gas (E) 27.4 mbar 11.0 in w.c.	
	0 - 2000 Ft 0 - 610 m	2000 - 4500 Ft 610 – 1370 m	0 - 2000 Ft 0 - 610 m	2000 - 4500 Ft 610 – 1370 m
Fan Speed max (rpm) P17* - P18*	7300	7000	7100	6800
Fan Speed min (rpm) P19*	1200		1200	
CO Limit (ppm)	<400			

Fan speed ignition (P21*) = 3000 rpm

* To modify the fan speeds see section 11.4 PARAMETER SETTINGS

NOTICE

Above 2000 ft (610 m), the boiler will derate by 4% for each 1000 ft (305 m) of altitude gain.

2.3 SYSTEM

LUNA DUO-TEC 1.70	
Central Heating (Sealed System)	
Max System Pressure	50.00 psi / 3.44 bar
Min System Pressure	7.25 psi / 0.50 bar
Max System temperature	176°F / 80°C
Pressure Relief Valve Setting	50.00 psi / 3.44 bar
Supply Connection	1" / 32.2 mm
Return Connection	1" / 32.2 mm
Pressure Relief Valve Connection	3/4" / 22.2 mm
Recommended System Pressure (cold)	21.7 psi / 1.5 bar

LUNA DUO-TEC 1.110	
Central Heating (Sealed System)	
Max System Pressure	50.00 psi / 3.44 bar
Min System Pressure	7.25 psi / 0.50 bar
Max System temperature	176°F / 80°C
Pressure Relief Valve Setting	50.00 psi / 3.44 bar
Supply Connection	1 1/2" / 48.3 mm
Return Connection	1 1/2" / 48.3 mm
Pressure Relief Valve Connection	3/4" / 22.2 mm
Recommended System Pressure (cold)	21.7 psi / 1.5 bar

INSTALLER Section (en)

2.4 MAIN COMPONENTS

LUNA DUO-TEC 1.70	
Burner	Stainless Steel
Main Heat exchanger	Stainless Steel
Pump	Grundfos UPER 25-78
Fan	EBM PAPST NGR 137/2400
Gas Valve	SIT 848 SIGMA
Low Water Cutoff	ELBI 784

LUNA DUO-TEC 1.110	
Burner	Stainless Steel
Main Heat exchanger	Stainless Steel
Pump	Grundfos UP 26-96 F
Fan	EBM PAPST RG 148/1200
Gas Valve	SIT 848 SIGMA
Low Water Cutoff	ELBI 784

2.5 GENERAL INSTALLATION INFORMATION

LUNA DUO-TEC 1.70		
Dimensions	Height	30 1/16" / 763 mm
	Width	17 3/4" / 450 mm
	Depth	23" / 585 mm
Gas Connection		3/4"
Primary Water Content		0.79 US gal / 3.60 l
Concentric flue pipe diameter		3 3/16" / 80 mm
Concentric air pipe diameter		4 15/16" / 125 mm
Dual flue vent pipe diameter		3 3/16" / 80 mm

LUNA DUO-TEC 1.110		
Dimensions	Height	37 7/16" / 951 mm
	Width	23 5/8" / 600 mm
	Depth	25 3/8" / 644 mm
Gas Connection		1"
Primary Water Content		4.62 US gal / 21.0 l
Concentric flue pipe diameter		4 3/8" / 110 mm
Concentric air pipe diameter		6 5/16" / 160 mm
Dual flue vent pipe diameter		4 3/8" / 110 mm

LUNA DUO-TEC 1.70		
Minimum Service Clearances	Top	11 13/16" / 300 mm
	Bottom	9 7/8" / 250 mm
	Sides	1 3/4" / 45 mm
	Front	17 3/4" / 450 mm
Flue Terminal Size Concentric System		4 15/16" / 125 mm
Flue Terminal Size 2-Pipe Flue System		3 3/16" / 80 mm
Flue Terminal Protruding		4 1/2" / 115 mm
Lift Weight		120.15 lb / 54.5 kg

LUNA DUO-TEC 1.110		
Minimum Service Clearances	Top	15 3/4" / 400 mm
	Bottom	11 13/16" / 300 mm
	Sides	1 3/4" / 45 mm
	Front	17 3/4" / 450 mm
Flue Terminal Size Concentric System		6 5/16" / 160 mm
Flue Terminal Size 2-Pipe Flue System		4 3/8" / 110 mm
Flue Terminal Protruding		4 1/2" / 115 mm
Lift Weight		215.6 lb / 98 kg

2.6 ELECTRICAL

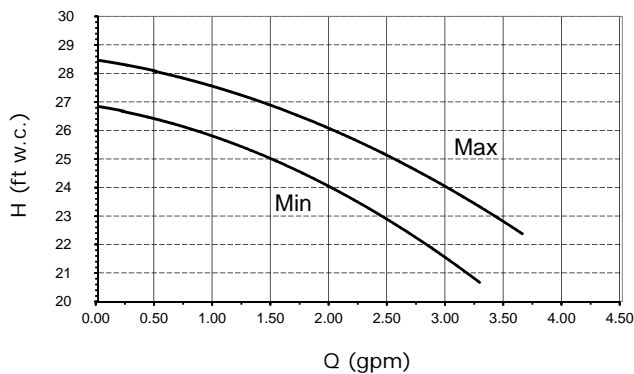
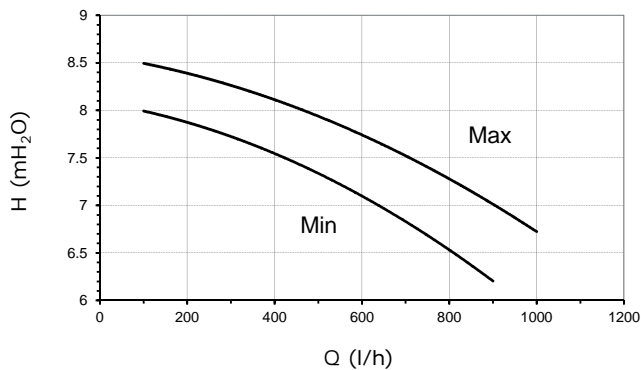
Supply	120 V - 60 Hz
Power Consumption - LUNA DUO-TEC 1.110	376 W
Power Consumption - LUNA DUO-TEC 1.70	183 W
Internal Fuse (N°2)	F1=6.3 A / F2=2.0 A

2.7 AVAILABLE PUMP HEAD FOR CENTRAL HEATING

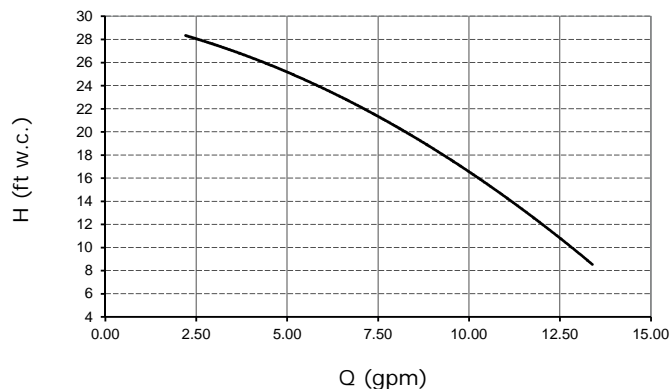
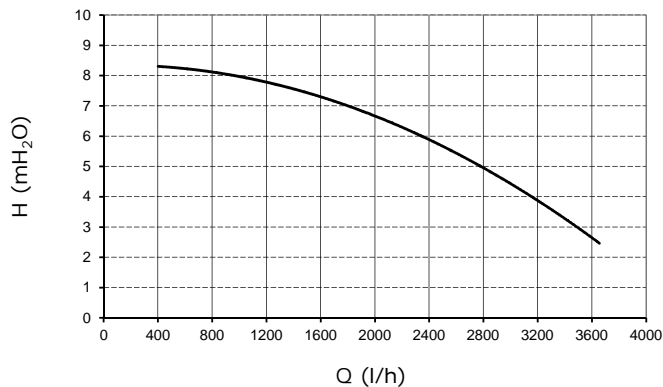
This is a high static head pump fit for installation on any type of single or double-pipe heating systems. The automatic air valve incorporated in the pump allows for quick air purging of the heating system.

Q	WATER FLOW RATE	MIN	Minimum speed of modulation
H	HEAD	MAX	Maximum speed of modulation

LUNA DUO-TEC 1.70



LUNA DUO-TEC 1.110



CAUTION

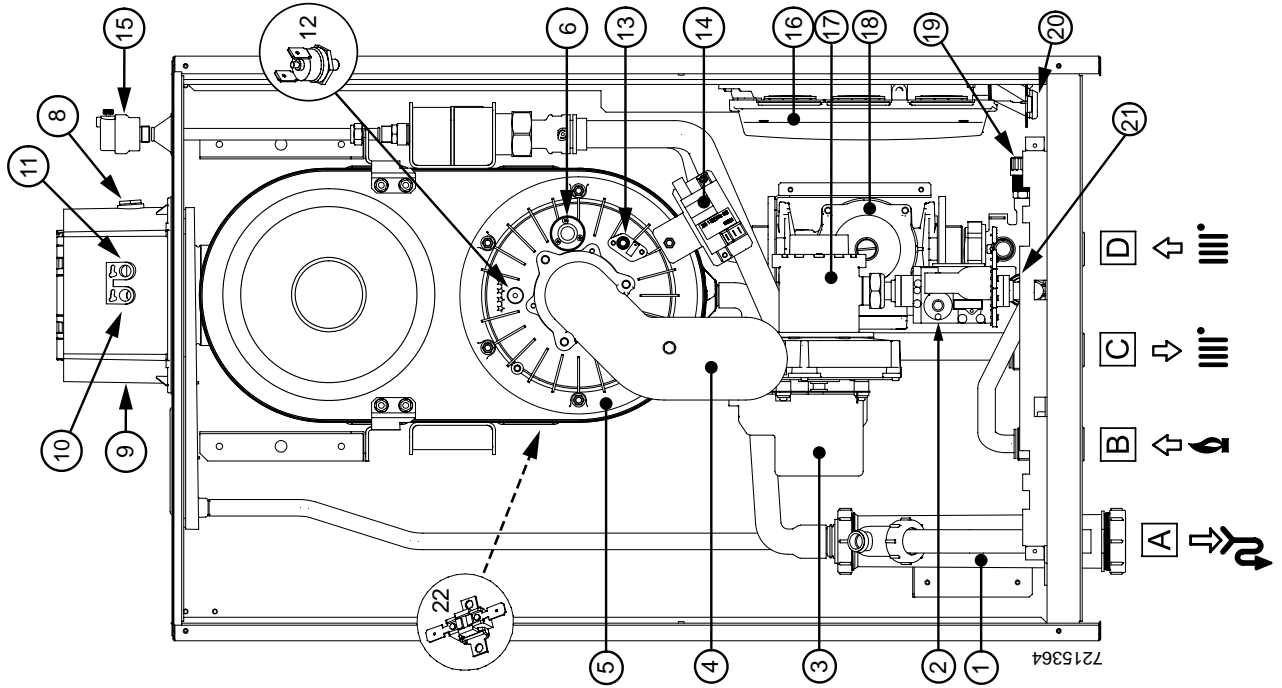
It is recommended to design the Heating System to ensure a minimum water flow rate of at least 4.4 gpm (1000 l/h).

INSTALLER Section (en)

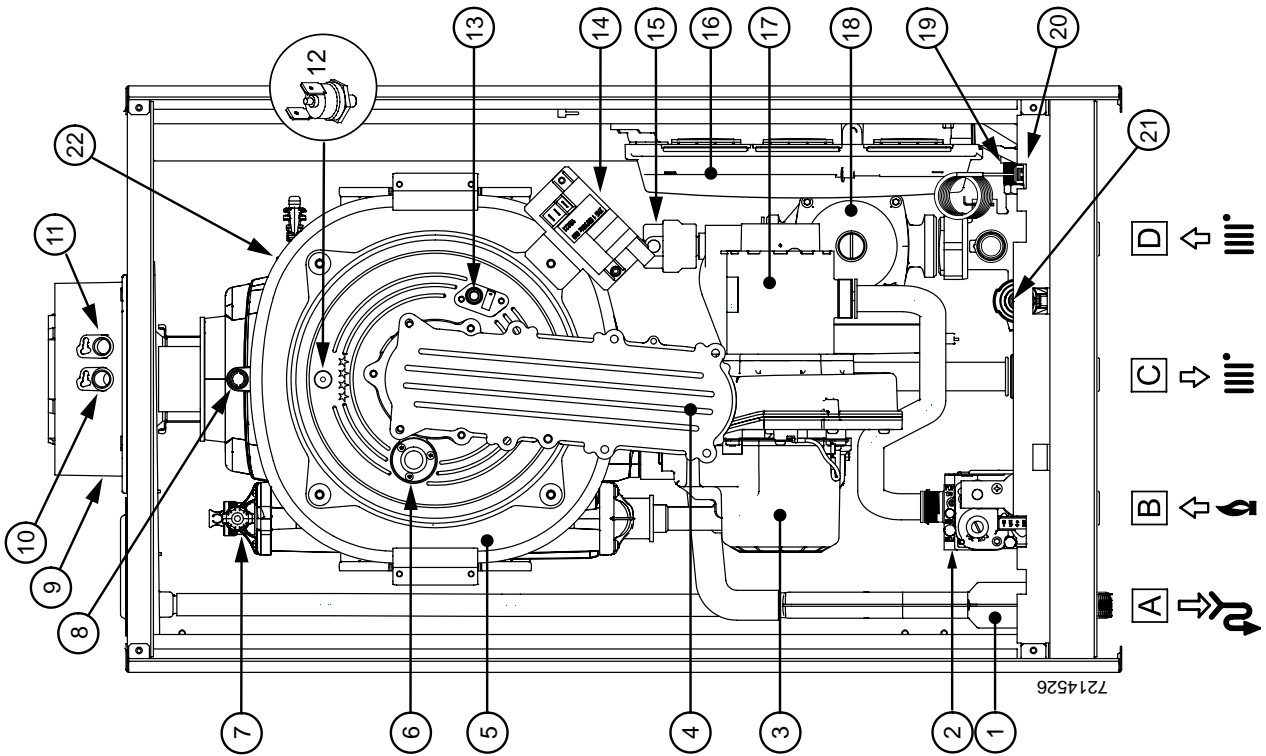
2.8 BOILER SCHEMATIC

- With a demand for heating, the pump circulates water through the primary circuit.
- The combustion fan will then come on and begin to run at ignition speed.
- Once the fan reaches ignition speed the control board will allow power to flow to the spark generator and gas valve creating ignition in the combustion chamber. The flame sensor will acknowledge the presence of a flame in the combustion chamber and send a signal to the control board.
- The temperature sensor will send a signal to the control board allowing the control board to increase / decrease the speed of the fan. The combustion fan will in turn modulate the gas rate accordingly.
- Once the central heating loop temperature exceeds the central heating loop setpoint the unit will shutdown and go through a 3 minute time delay (burner pause time) before another call for heat.
- During this time the pump will run for an additional three minutes to dissipate any residual heat.

LUNA DUO-TEC 1.110



LUNA DUO-TEC 1.170

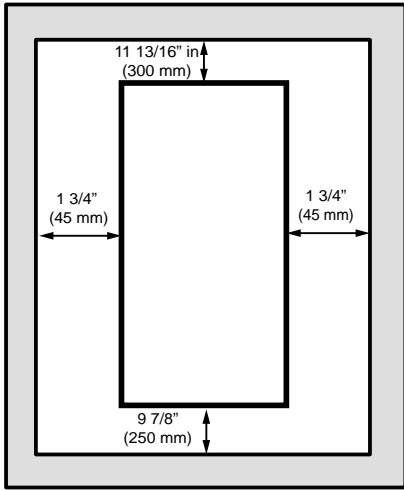
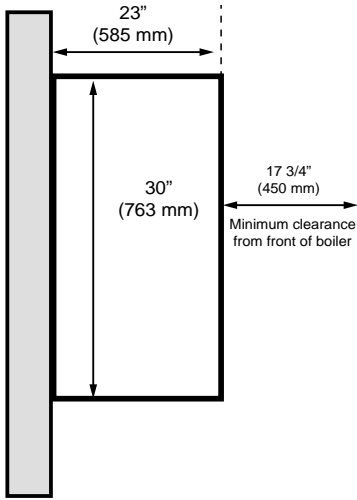


1.70		1.110
1	Condensate trap	Condensate trap
2	Gas valve	Gas valve
3	Fan	Fan
4	Air/gas collector	Air/gas collector
5	Primary exchanger	Primary exchanger
6	Burner sight glass	Burner sight glass
7	Manual air vent	-
8	Flue sensor	Flue sensor
9	Coaxial flue connector	Coaxial flue connector
10	Flue gas test port	Flue gas test port
11	Combustion air test port	Combustion air test port
12	Exchanger flange high limit	Exchanger flange high limit
13	Ignition/Flame detection electrode	Ignition/Flame detection electrode
14	Spark generator	Spark generator
15	Automatic air vent	Automatic air vent
16	Auxiliary control board box	Auxiliary control board box
17	Air/gas mixer	Air/gas mixer
18	Pump	Pump
19	Boiler drain	Boiler drain
20	Pressure gauge	Pressure gauge
21	Low water cutoff	Low water cutoff
22	Thermal fuse	Thermal fuse (rear)
A	Condensate trap drain	Condensate trap drain
B	Gas inlet connection	Gas inlet connection
C	Heating supply connection	Heating supply connection
D	Heating return connection	Heating return connection

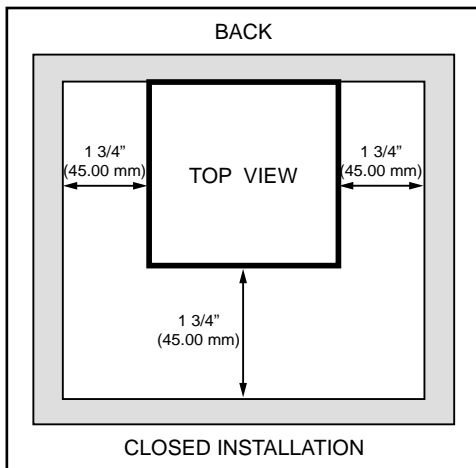
3. GENERAL BOILER INFORMATION

SERVICE CLEARANCES

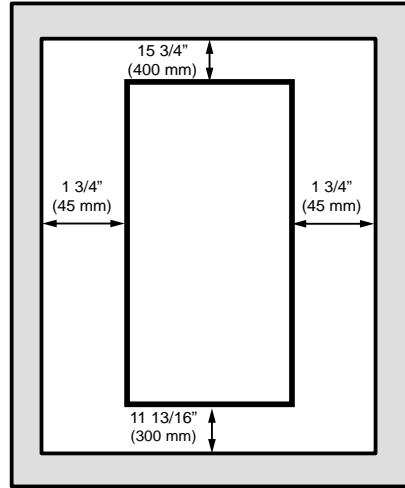
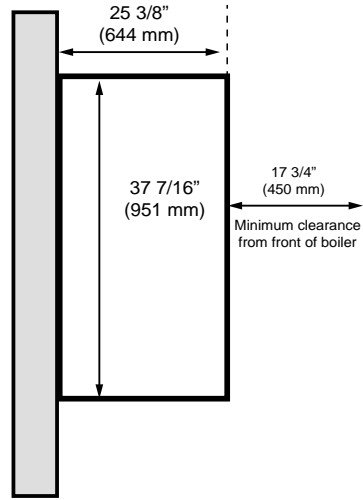
Model 1.70



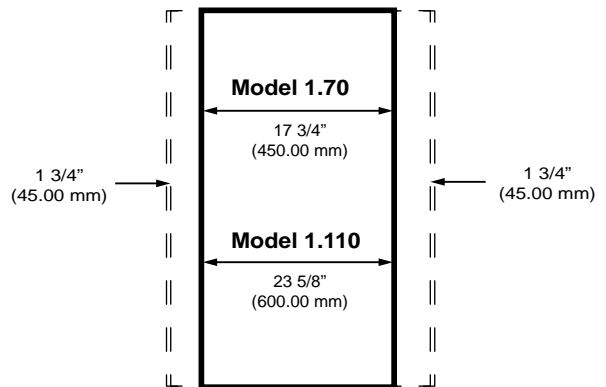
CLEARANCES REQUIRED FOR CLOSET INSTALLATION



Model 1.110



CLEARANCES FOR COMBUSTIBLES



0" in / 0 mm between the back of the unit and the wall

INSTALLER Section (en)



WARNING

- We recommend that service clearances be considered when locating a suitable area for the unit.
- The boiler must not be installed on carpeting.
- Keep the boiler area clear and free from flammable vapors and liquid.

3.1 SELECTING THE BOILER LOCATION

1. Check the installation area for nearby connections to:
 - System water piping
 - Venting connections
 - Gas supply piping
 - Electrical power
2. Inspect the area around the boiler; remove any combustible materials, gasoline and other flammable liquids.
3. Ensure the Boiler's gas control system components are protected from dripping or spraying water.



WARNING

Failure to keep boiler area clear and free of combustible materials, gasoline as well as other flammable liquids and vapors can result in severe personal injury, death or substantial property damage.

3.2 POSITIONING THE BOILER

- Decide the position of the boiler taking into account the clearances required for servicing and the flue terminal position.



WARNING

Remove any combustible materials, gasoline and other flammable liquids away from the hot water pipes.

- Tape the template to the wall, ensure it is level and upright, and mark the position of the holes for the hanger bolts and plumbing connections. If rear exit flue is to be used, mark the position of the hole for the flue.
- If the unit will be terminating horizontally, continue to mark the horizontal center line of the flue across the wall to the side wall, then along the side wall ensuring the lines are level. This will give the position of the centre of the hole for the flue.
- Cut the 5 5/16" / 135.00 mm diameter hole in the wall for the concentric flue for model 1.70 and 6 11/16" / 170.00 mm diameter hole in the wall for the concentric flue for model 1.110.

3.3 FIT THE BOILER

- Lift the boiler and hang it on the wall.
- Adjust the position of the boiler; ensuring it is level.

3.4 FLUSHING THE SYSTEM

The installation must be cleaned and flushed according to good installation practices. The warranty may become null and void if the installation is not flushed and/or the water quality is inadequate. It is mandatory to check the water quality of a central heating installation semi-annually, particularly if it is topped up regularly. If the water has been treated, the supplier of the water treatment product can be consulted. The user of the installation is responsible for ensuring good water quality at all times. If the user wishes to achieve this water quality with the aid of a water treatment system, this will also be his/her responsibility.

- You must thoroughly flush the system, without boiler connected, to remove sediment. The high-efficiency heat exchanger can be damaged by build-up or corrosion due to sediment.

Note:

It is recommended that a water treatment product be utilized for sediment removal.

- For zoned systems, flush each zone separately through a purge valve. If purge valves and isolation valves are not already installed, install them to properly clean the system.
- Flush system until water runs clean and you are sure piping is free of sediment.

CAUTION

When purging installations that incorporate standing iron radiators and systems with manual vents at high points, start with the nearest manual air vent, open the vent until water flows out, then close vent. Repeat this procedure, working your way toward furthest air vent. Install a basket strainer in an older system if large amounts of sediment are present. Annual cleaning of the strainer may be necessary.

WARNING

Do not use petroleum-based cleaning or sealing compounds in the boiler system. Damage to elastomer seals and gaskets in system could occur; resulting in substantial property damage. DO NOT fill with softened water; boiler corrosion can occur.

3.5 GAS SUPPLY

The LUNA DUO-TEC 1.70 requires a gas rate of **242.59 ft³/h (6.87 m³/h)** for Natural Gas (Gas A) and **95.04 ft³/h (2.69 m³/h)** for Liquid Propane Gas (Gas E).

The LUNA DUO-TEC 1.110 requires a gas rate of **377.34 ft³/h (10.69 m³/h)** for Natural Gas (Gas A) and **149.16 ft³/h (4.22 m³/h)** for Liquid Propane Gas (Gas E).

The meter and supply pipes must be capable of delivering this quantity of gas in addition to the demand from any other appliances in the house. The Luna DUO-TEC 1.70 requires at least a **3/4" / 19.5 mm** gas supply pipe and the Luna DUO-TEC 1.110 requires at least a **1" / 25.4 mm** gas supply pipe.

WARNING

The boiler and its gas line connections must be leak tested before placing the boiler into operation.

3.6 ELECTRICAL SUPPLY

The boiler requires a 120V 60Hz power supply. Ensure the electrical supply is polarized.

The boiler must be grounded and on a dedicated circuit.

There must only be one common isolator, providing complete electrical isolation for the boiler and any external controls.

Using PVC insulated cable 18 AWGx3C 221°F (105 °C).

All wiring must be installed in accordance with requirements of National Electrical Code and any additional national, state, or local code requirements having jurisdiction. All wiring must be N.E.C. Class 1. Boiler must be electrically grounded in accordance with the National Electrical Code, ANSI/NFPA No. 70-latest edition.

In Canada, installation must conform to CSA C22.1 Canadian Electrical Code Part 1 and any local codes.

3.6.1 Install Room Thermostat

Install a room thermostat on an inside wall; never install the thermostat where it will be influenced by drafts, hot or cold water pipes, lighting fixtures, television, sun rays or near a fireplace.

3.7 AIR SUPPLY

The boiler does not require any air vents in the room in which it is installed, or when installed in a cupboard or compartment.

3.8 FROST PROTECTION MODE

The frost protection mode is built-in to the appliance and can activate if either the domestic hot water or central heating mode are on. If the temperature falls below 39.2°F / 4.0° C the boiler will fire on its minimum setting until a flow temperature of 86°F / 30° C is reached.

3.9 CEASE PROTECTION

The pump will automatically operate for 1 minute in every 24 hours to prevent ceasing.

3.10 GAS PIPING

Run the gas supply line in accordance with all applicable codes.

Locate and install the manual shutoff valve before the gas valve as shown in section 3: "GENERAL BOILER INFORMATION", in accordance with state and local requirements.

WARNING

A sediment trap must be provided upstream of the gas controls.

4. VENT SYSTEM

GENERAL

- Install the boiler / venting system in accordance with these instructions and with the National Fuel Gas Code, ANSIZ223.1/ NFPA 54, CAN/CSA B149.1, and/or applicable provisions of local building codes.
- This boiler is a direct vent appliance and category IV according to ANSI Z21.13/CSA4.9 standard.

EXHAUST VENT AND INTAKE AIR VENT

The intake and exhaust venting methods are detailed in this manual. Do not attempt to install the Boiler using any other means. Be sure to locate the boiler such that the air intake and exhaust vent piping can be routed through the building and properly terminated.

DANGER

Ensure the exhaust and intake vent piping comply with these instructions regarding the vent system. Inspect finished combustion air intake and exhaust piping thoroughly to ensure all joints are well secured, airtight and comply with all applicable code requirements, as well as with the instructions provided in this manual. Failure to provide a properly installed vent system will cause severe personal injury or death.

WARNING

This vent system will operate with a positive pressure in the pipe. Do not connect vent connectors serving appliances vented by natural draft into any portion of mechanical draft systems operating under positive pressure. Follow the venting instructions below carefully. Failure to do so may result in severe personal injury, death, or substantial property damage.

Do not use Foam Core Pipe or Cellular Foam Core Pipe in any portion of the venting from this boiler. Use of Foam Core Pipe or Cellular Foam Core Pipe may result in severe personal injury, death, or substantial property damage.

• Determine exhaust vent location:

- a) Refer to the illustration within this section 4.1.4: Flue Termination Location to determine clearances for the flue termination.
- b) Provide a minimum of 1 ft / 0.30 m in the United States and 3.00 ft / 0.92 m in Canada from any door, operable window.
- c) Provide a minimum of 1.00 ft / 0.30 m clearance from the bottom of the exhaust above the grade (snow removal may be necessary to maintain clearance).
- d) Provide a horizontal clearance of 3.00 ft / 0.92 m clearance from electrical meters, gas meter regulators and relief equipment. In no case shall the exit terminal be above or below the aforementioned equipment unless the 3.00 ft / 0.92 m horizontal distance is maintained unless the exit terminal is a minimum of 15 ft/4.6 m above the aforementioned equipment.
- e) Do not locate the exhaust over public walkways where condensate could drip and/or freeze and create a nuisance or hazard.
- f) When adjacent to a public walkway, locate exit terminal at least 7 ft / 2.13 m above grade.
- g) Do not locate the exhaust directly under roof overhangs to prevent icicles from forming.
- h) Provide a 6" / 152 mm clearance from the inside corner of vertical walls, chimneys, etc., as well as horizontal corners created by roof overhangs.

• Determine air intake vent location.

- a) Provide 1 ft / 0.30 m clearance from the bottom of the intake air vent to the grade.
- b) Do not locate the intake air vent in a parking area where machinery may damage the pipe.
- c) When venting with a two-pipe system, the minimum distance between exhaust vent and intake air vent on a single boiler is 4 3/4" / 120.00 mm center-to-center.

INSTALLING EXHAUST VENT AND INTAKE AIR VENT

DANGER

Ensure that the flow of combustion and ventilation air are not obstructed. BAXI urges users to install CO detectors in buildings where the boiler is located, even though such detectors may not be required by local code. CO detectors should be calibrated regularly as specified by the manufacturer.

Note:

Venting should be supported approximately every 39 3/8" / 1 m. Supports should be fixed along the connection point of each pipe.

4.1 VENTING INSTRUCTIONS

i NOTICE

Read carefully the venting instructions contained in this manual and the ones supplied by the vent manufacturer, in case of discrepancies the venting instruction of this manual must be respected.

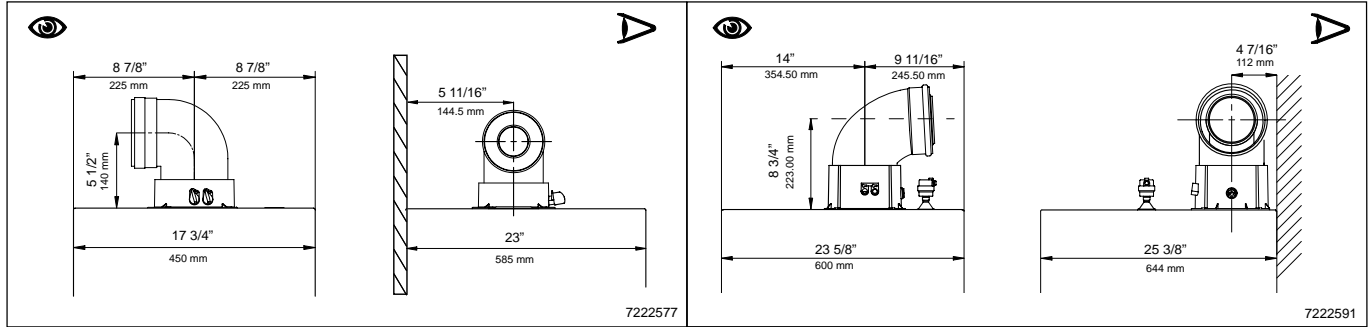
4.1.1 Concentric venting

The 90° elbow allows the boiler to connect to the venting termination regardless of direction; since it can be rotated by 360°. It can also be used to connect the vent with a 45° elbow.

45° elbow	9 13/16" / 0.25 m
90° elbow	19 11/16" / 0.50 m

LUNA DUO-TEC 1.70

LUNA DUO-TEC 1.110



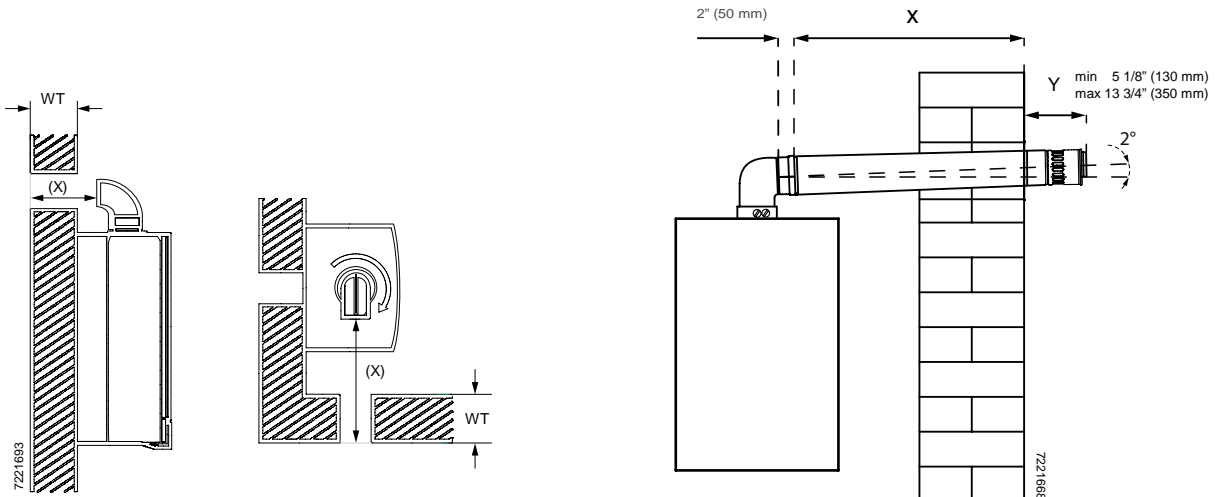
- Examine all components for possible shipping damage, prior to installation.
- This venting system must be free to expand and contract.
- The venting system must be supported in accordance with these instructions.
- The vent system must have unrestricted movement through walls, ceilings and roof penetrations.
- Check for proper joint construction when joining pipe to fittings.
- If the vent is penetrating ceilings and floors, the openings must have a means of firestopping in joist areas and proper firestop spacer assemblies installed.
- A Baxi roof flashing is available as an accessory. Standard roof flashing methods must be employed to install the roof flashing.
- Wall and roof openings must be framed to provide support and the attachment of termination assemblies.

Please Note:

The manual uses the terms 'vent', 'venting' and 'flue' interchangeably. All references to 'flue' are synonymous with 'vent' or 'venting'.

! WARNING

Ensure a minimum downward slope of 1.97 in / 5.00 cm for every 39 3/8" / 1.00 m of duct length toward the boiler.



WT : Wall Thickness

INSTALLER Section (en)

WARNING

All concentric venting must be fastened together using screws.

NOTICE

Dual flue venting is not to be fastened with screws; this procedure only pertains to concentric venting.

For horizontal flues a minor deviation from the horizontal is allowable, provided it results in a downward slope towards the boiler. For the vertical flue termination, refer to the separate installation instructions supplied with the assembly.

Under no circumstances, including allowances for extra elbows, shall the flue length exceed 32' 9 5/8" / 10.00 meters.

- Connect the flue elbow to the top of the boiler and adjust the direction of the elbow to the desired orientation (rear, right or left).
- Measure the distance from the outside wall face to the elbow. This dimension will be known as 'X'.
- add distance "Y" + 2" (5.80 cm) to "X" , this is the total dimension of the vents.
- Mark the above dimension on the outer aluminum intake vent. Measure the length of waste material, and transfer the dimension to the inner Grey flue pipe.
- Remove the waste from both vents (flue and air). Ensure that the cut ends are square and free from burrs.
- Insert the flue back into the intake air vent and pass them through the hole in the wall

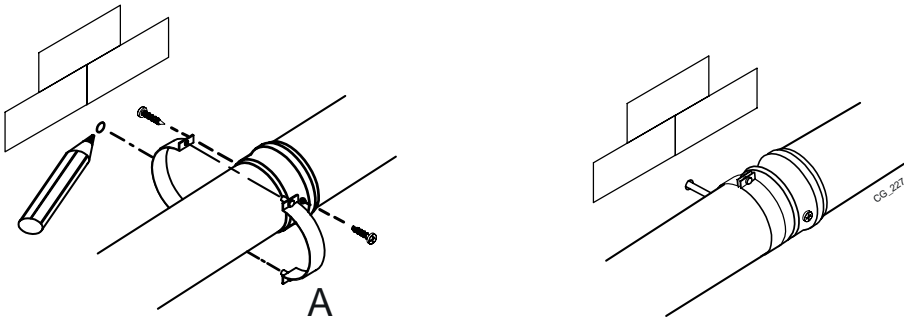
WARNING

- Check all measurements before cutting.
- The clearance to combustible materials is zero when using a concentric vent system.
- After installing the venting make sure that there is no recirculation of combustion by using a regularly calibrated analyzer.
- Ensure a minimum downward slope of 1.97 in / 5.00 cm for every 39 3/8" / 1.00 m of the flue length toward the boiler.
- Ensure that the termination is positioned with the slots at the bottom.

Concentric Vent Support

All venting must be supported every 39" (1 m) with a fixed clamp.

A: steel strapping or equivalent



Flue Options

- The boiler can be fitted with flue systems as illustrated.
- The standard flue (horizontal termination) is suitable only for horizontal applications.
- Maximum permissible equivalent flue lengths are:

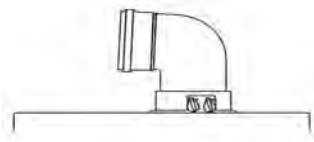
Concentric venting = 32' 9 5/8" / 10.00 m

- Any additional "in line" elbows in the flue system must be taken into consideration.

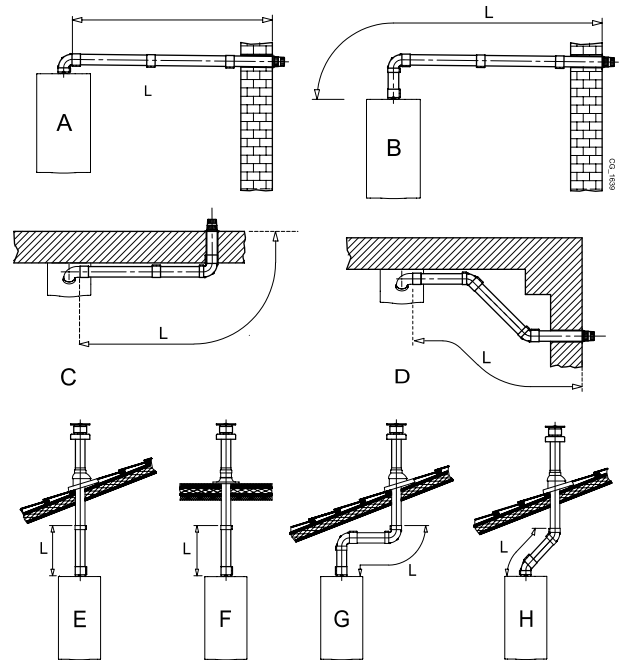
45° elbow	19 11/16" / 0.50 m
90° elbow	39 3/8" / 1.00 m

The first elbow in a horizontal run is not included in any equivalent length calculations

- The illustrations below show examples of maximum equivalent lengths.
- Installation instructions for fittings are included in each fittings package.

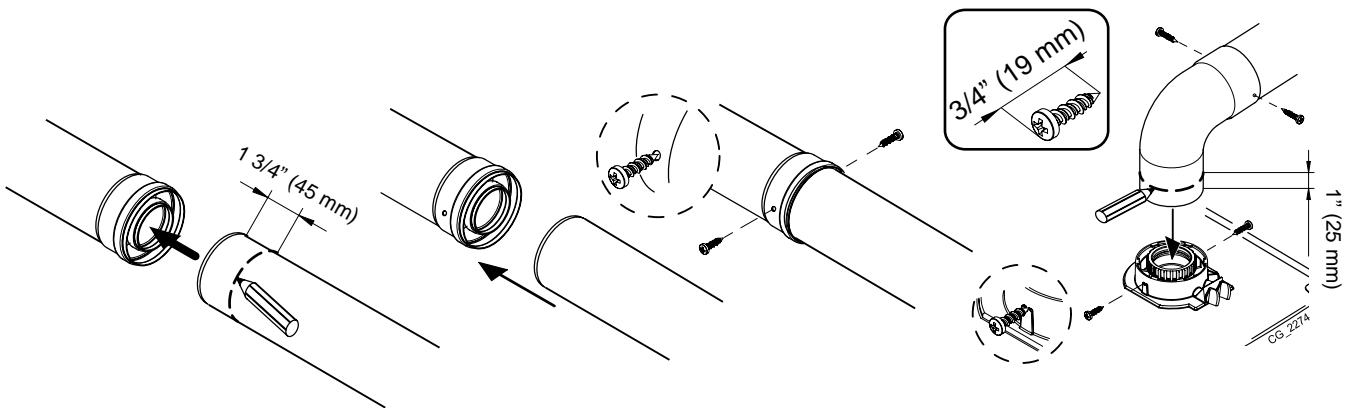


	L MAX
A B	32' 9 5/8" / 10 m
C D	29' 6" / 9 m
E F	32' 9 5/8" / 10 m
G	26' 3" / 8 m
H	29' 6" / 9 m



Concentric Vent Screw Placement

Two screws must be fastened through the outer intake pipe behind the gaskets at equal distances approx. 180° apart. Please note the screws used must be no larger than No.8 - 1/2 sheet metal screws and must be zinc coated. The length of this screws must be 0.75 in (19.00 mm). If the screws are not supplied by the vent manufacturer together with the venting products, you have to fix together the pipes using screws with the same characteristic sourced locally in the market.



INSTALLER Section (en)

WARNING

Before securing the screws, ensure the pipe has been pushed in a minimum of 1 3/4" (45 mm) into the gasketed end of the other pipe.

NOTICE

When connecting vent pipes, use only the silicone grease supplied with the exhaust pipes. The silicone grease should only be used on the smaller seal of the exhaust pipes. Do not use other types of grease and do not apply it to the large seal.

4.1.2 Baxi two pipe Polypropylene system

This type of venting allows for exhaust flue and intake flue to be separated from each other. Fresh air may be drawn in at a different area from where the flue terminal is located.

The splitting kit consists of an adaptor and of an intake air vent adaptor.

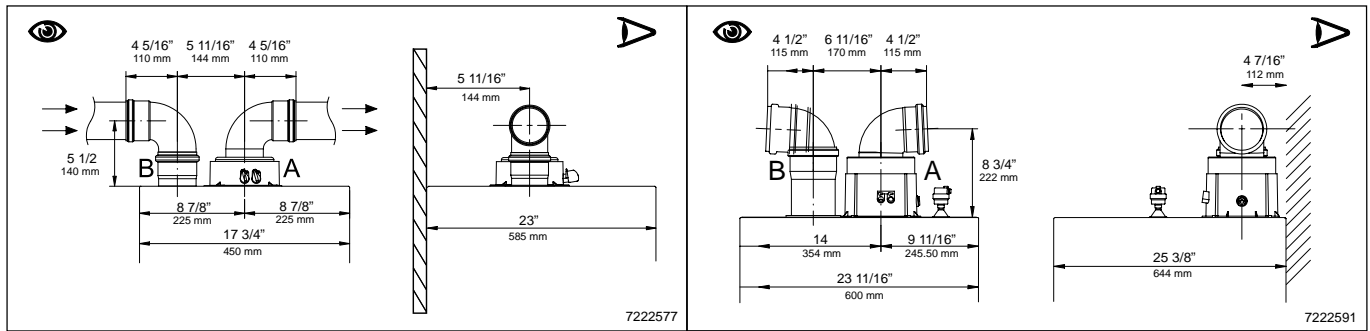
For the air duct adaptor use the screws and seals previously removed from the cap.

The 90° elbow allows the boiler to connect to the venting termination regardless of direction; since it can be rotated by 360°. It can also be used to connect the vent with a 45° elbow.

45° elbow	9 13/16" / 0.25 m
90° elbow	19 11/16" / 0.50 m

LUNA DUO-TEC 1.70

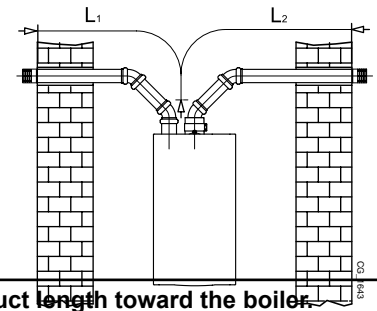
LUNA DUO-TEC 1.110



Separated horizontal flue termination installation options

The maximum length of the intake vent (L 1) can not exceed 49' 1/4" / 15.00 m for LUNA DUO-TEC 1.70 and 32' 9 5/8" / 15.00 m for LUNA DUO-TEC 1.110.

- (L1 + L2) max = 147' 5/8" / 45.00 m for LUNA DUO-TEC 1.70
- (L1 + L2) max = 131' 1/4" / 40.00 m for LUNA DUO-TEC 1.110



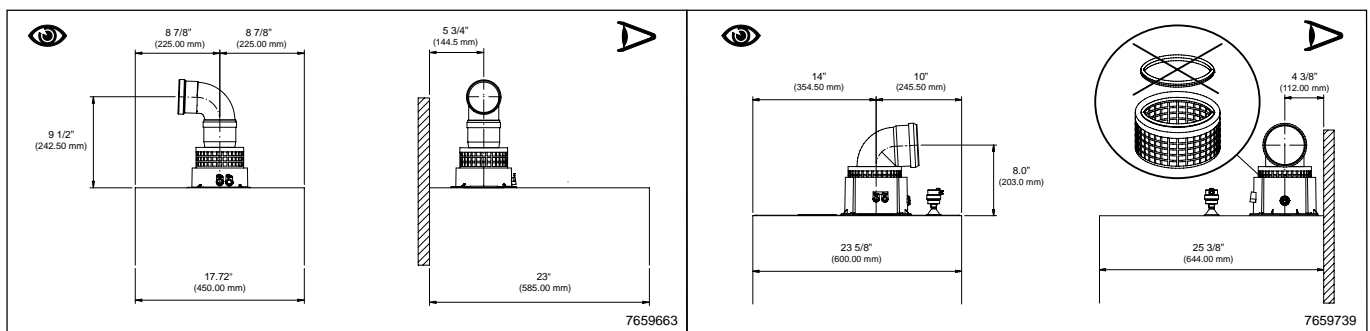
WARNING

Ensure a minimum downward slope of 1.97 in / 5.00 cm for every 39 3/8" / 1.00 m of duct length toward the boiler.

Baxi single pipe Polypropylene system (Power Venting)

LUNA DUO-TEC 1.70

LUNA DUO-TEC 1.110



- L1 = 0
- L2 max = 147' 5/8" / 45.00 m for LUNA DUO-TEC 1.70
- L2 max = 131' 1/4" / 40.00 m for LUNA DUO-TEC 1.110

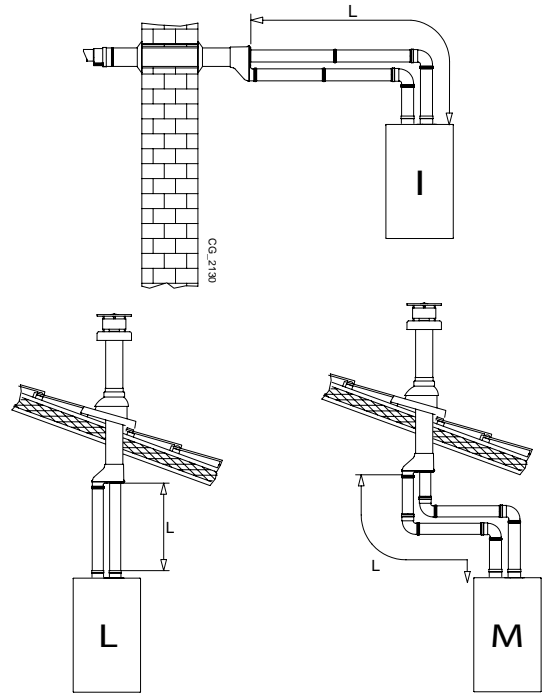
WARNING

For LUNA DUO-TEC 1.110 remove the gasket as shown in the drawing.

INSTALLER Section (en)

Separated flue terminations

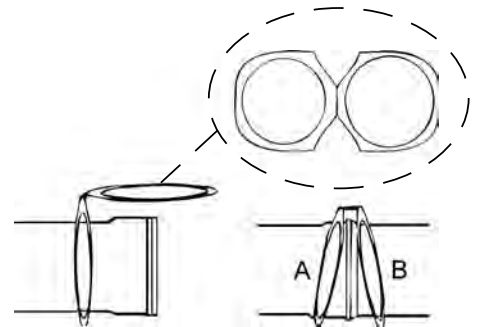
	LUNA DUO-TEC 1.70	LUNA DUO-TEC 1.110
I	L max = 32' 3 3/8" / 10 m	L max = 32' 3 3/8" / 10 m
L	L max = 32' 3 3/8" / 10 m	L max = 32' 3 3/8" / 10 m
M	L max = 29' 6" / 9 m	L max = 29' 6" / 9 m



Spring Clamp Instructions

Baxi requires the use of the spring clamp at every push-fit gasket connection when using their polypropylene vent. Please follow the instructions below when utilizing the spring clamps:

- Take the Baxi dual flue spring clamp with the larger hole in it and place it onto the male end of the pipe.
- Slide clamp all the way down the pipe with the smaller opening of the clamp towards the female end of the pipe.
- Bend the clamp over the female end of pipe "A" and slide the male end of pipe "B" through the clamp and into the female end of pipe "A".



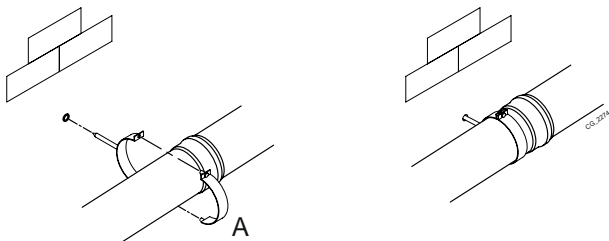
***i* NOTICE**

This clamp is needed for Baxi dual flue pipe. The dual flue spring clamp is for indoor use only and should not be used in an outdoor application.

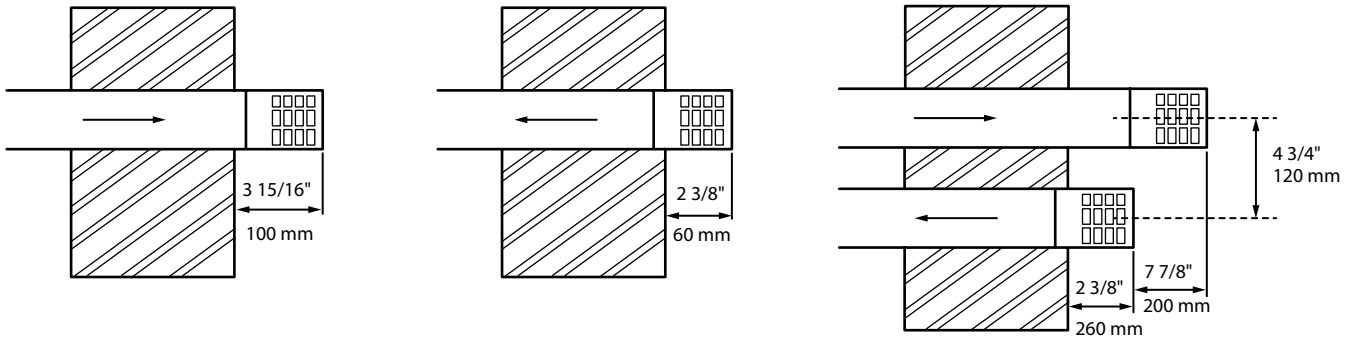
Two Pipe Vent Support

All venting must be supported every 39" (1 m) with a fixed clamp.

A: steel strapping or equivalent



Dual Flue Minimum Termination Distances



(*) accessories supplied by the boiler's manufacturer

4.1.3 Approved venting materials from other manufacturers

We recommend that the Condensing boiler be vented with the manufacturer's polypropylene venting material. This can be with either coaxial venting or with the two pipe rigid vent system. Use only materials listed below for vent pipe, intake air pipe and fittings. Failure to comply could result in personal injury, death or property damage and could void the boiler warranty. Installations must comply with local code requirements and with U.S.ANSI Z223.1



WARNING

DO NOT USE CELLULAR CORE PIPE

ONLY 3" / 80 mm PIPES ARE PERMITTED (LUNA DUO-TEC 1.70)

ONLY 4" / 100 mm PIPES ARE PERMITTED (LUNA DUO-TEC 1.110)

When using venting material other than the boiler manufacturer's venting, note the correct installation procedure.



WARNING

All venting must be properly supported. The boilers are not intended to support any type of vent system whatsoever. All piping, glue, solvents, cleaners, fittings and components must conform to ASTM and ANSI standards.

Note: In Canada ULC S636 and in the USA UL 1738 schedule 40 CPVC are the only approved vent system to be used as an alternative to Baxi polypropylene venting for the exhaust pipe; other than the approved systems listed above in the Approved Polypropylene Manufacturer's table. In Canada ULC S636 and in the USA UL 1738 schedule 40 PVC may be used for the vent intake.



WARNING

ABS/PVC venting is not approved for use as an exhaust vent material. Failure to comply could result in personal injury, death or property damage and could void the boiler warranty.

Do not use any DWV plumbing pipes to vent this boiler.

Use of cellular core PVC (ASTM F891), cellular core CPVC, or Radel® (polyphenolsulfone) in venting systems shall be prohibited.

Covering non-metallic vent pipe and fittings with thermal insulation shall be prohibited.

All vent pipe and combustion air pipe and fittings must comply with the following:

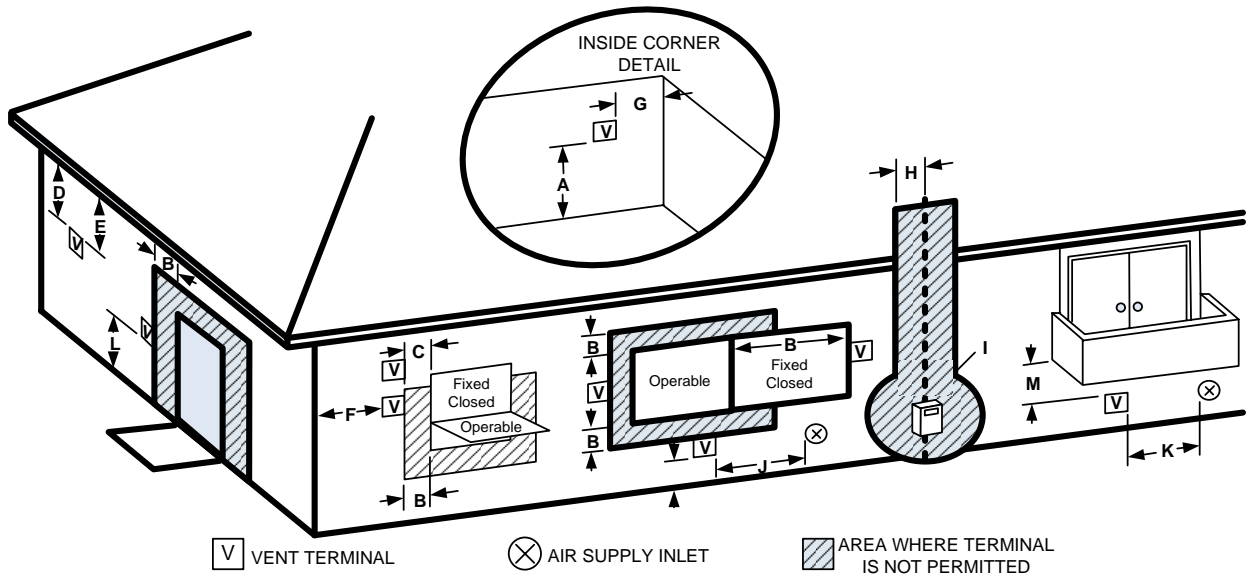
Materials used in the U.S. must comply with the following relevant standards: ANSI/ASTM D1785, ANSI/ASTMD2661, ANSI/ASTM F441.



NOTICE

Adhere to the venting manufacturer's equivalent lengths for fittings. The equivalent lengths mentioned in this installation manual are for Baxi's polypropylene venting systems only.

4.1.4 Flue termination location



INSTALLER Section (en)

Vent Termination Minimum Clearances			
		USA	CANADA
A	Clearance above grade, veranda, porch, deck, or balcony	12" (305mm)	12" (305mm)
B	Clearance to window or door that may be opened	12" (305mm)	3 ft. (0.9m)
C	Clearance to permanently closed window	*12" (305mm)	*12" (305mm)
D	Vertical Clearance to ventilated soffit located above the terminal within a horizontal distance of 2 feet (610 mm) from the center line of the terminal	18" (457mm)	18" (457mm)
E	Clearance to unventilated soffit	18" (457mm)	18" (457mm)
F	Clearance to outside corner	9" (229mm)	9" (229mm)
G	Clearance to inside corner	6" (152mm)	6" (152mm)
H	Clearance to each side of center line extended above meter/ regulator assembly	3 ft. (0.9m) within a height of 15 ft. (4.5m) above the meter/ regulator assembly	3 ft. (0.9m) within a height of 15 ft. (4.5m) above the meter/ regulator assembly
I	Clearance to service regulator vent outlet	3 ft. (0.9m)	3 ft. (0.9m)
J	Clearance to non-mechanical air supply inlet to building or the combustion air inlet to any other appliance	12" (305mm)	3 ft (0.9m)
K	Clearance to mechanical air supply inlet	*3 ft. (0.9m)	6 ft. (1.8m)
L	Clearance above paved sidewalk or paved driveway located on public property	*7 ft. (2.1m)	7 ft. (2.1m) ¹
M	Clearance under veranda, porch, deck or balcony	*12" (305mm) ²	12" (305mm) ²
*	For clearances not specified in ANSI Z223.1/NFPA 54 or CSA B149.1, clearance will be in accordance with local installation codes and the requirements of the gas supplier and these installation instructions.		
(1)	A vent shall not terminate directly above a sidewalk or paved driveway that is located between two single family dwellings and serves both dwellings.		
(2)	Permitted only if veranda, porch, deck or balcony is fully open on a minimum of one side beneath the floor.		

Note:

Local Codes or Regulations may require different clearances. The flue termination must be exposed to the external air and the position must allow the free passage of air across it at all times. In certain weather conditions the termination may emit a plume of steam. Avoid positioning the termination where this may cause a nuisance.

5. BOILER LOCATION

The boiler is not suitable for outdoor installation.

The boiler must be installed on a flat vertical wall which is capable of supporting the weight of the boiler.

The boiler may be installed in any room or internal space, although special attention to the requirements of the current electrical provisions with respect to the installation of the boiler in a room or internal space containing a bath or shower. Where a room-sealed boiler is installed in a room containing a bath or shower, it must not be possible for a person using the bath or shower to touch any electrical switch or boiler control utilizing line voltage electricity.

The boiler may be installed in a cupboard or compartment, provided it is correctly designed for that purpose.

6. CENTRAL HEATING SYSTEM

The boiler is designed for use in a sealed central heating system, refer to section 2: "TECHNICAL DATA" for details of the heating system volume. The system should be designed to operate with maximum supply temperatures of 176°F / 80°C. When designing the system the pump head, expansion tank size, mean radiator temperature, etc. must all be taken into account. Refer to the pump performance table in section 2.7: "AVAILABLE PUMP HEAD FOR CENTRAL HEATING". The boiler is supplied with the pressure relief valve which is set to operate at 50.0 psi / 3.4 bar.

WARNING

The discharge pipe must be routed clear of the boiler to a drain, in such a manner that it can be seen, but cannot cause injury to persons or property.
The pressure relief valve must be manually operated at least once a year.

- Avoid contact with hot water coming out
- Route the pressure relief valve to prevent water damage

Pressure gauge - to indicate the system pressure to be maintained.

6.1 FILLING THE SYSTEM

Periodically check that the pressure displayed on the pressure gauge is **14.7 - 22.1 psi (1 - 1.5 bar)**, when the system water temperature is cold. If the pressure is lower, turn the system filling tap installed by the installer. Open the tap very slowly in order to vent the air.

CAUTION

The boiler is fitted with a hydraulic pressure gauge which prevents the boiler from working if there is no water.

NOTICE

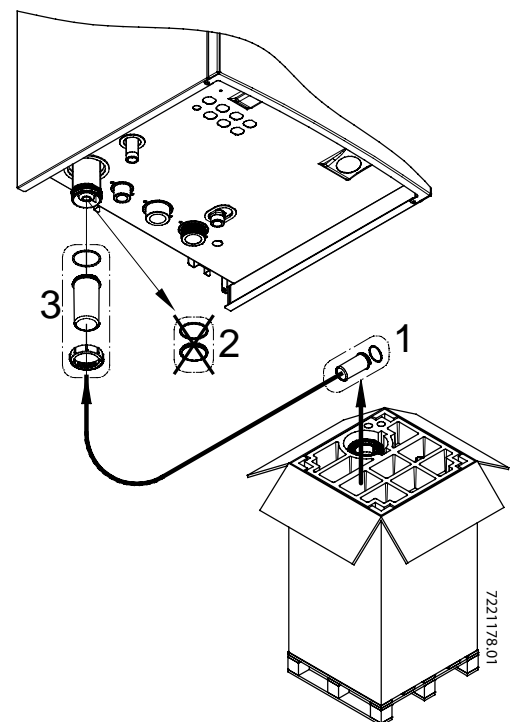
If pressure drops occur frequently, have the boiler checked by the AUTHORIZED TECHNICAL SERVICE CENTRE

6.2 FILLING THE CONDENSATE TRAP

CAUTION

After fixing the boiler on the wall, replace the cap at the bottom of the siphon with the one in the pack, reusing the ring nut and referring to the figure. Fill the siphon and check it for any leaks.

Duo-Tec 1.110

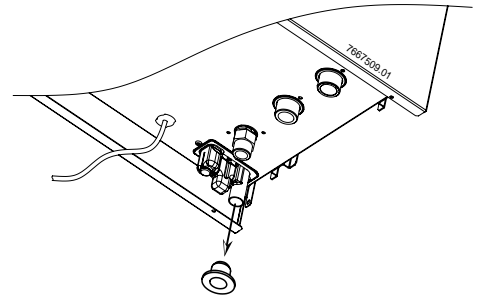


CAUTION

Before filling the siphon, remove the cap (as shown in the figure to the side) and connect the condensate drain hose.

Duo-Tec 1.70

- To fill the condensate trap pour water into the exhaust vent until water begins to flow through the siphon.
- Visually inspect the siphon to ensure it is full.



CAUTION

Fill the condensate trap before starting the boiler to avoid combustion products escaping from the boiler.

CAUTION

During operation, check the condensate trap is draining properly.

6.3 FILLING THE HEATING SYSTEM

CAUTION


Before filling, open the valves on every heating circuit in the installation.

NOTICE

In order to be able to read off the water pressure from the boiler display, the boiler must be switched on.

- Fill the system with clean tap water (advised water pressure is between 14.7 - 22.1 psi/1.0 - 1.5 bar).
- Check the water connections to ensure they are tight and are not leaking.

NOTICE

After switching on the power, as long as there is adequate water pressure, the boiler will always run through an automatic air purge program lasting approximately 3 minutes (During filling, air can escape from the system via the automatic air vent). If the water pressure is lower than 11.6 psi/0.8 bar , the symbol  will appear. If necessary, top up the water level in the heating system (recommended system pressure between 14.7 - 22.1 psi/1.0 - 1.5 bar .

CAUTION

The system must be filled must be carried out within 30 minutes, otherwise the air purge program starts which would be undesirable if the system is not filled. Switch off the boiler if the heating system is not being pressurized immediately. When venting air from the system piping, protect the boiler from water damage.

7. TOXIC CHEMICALS

Toxic chemicals, such as those used for boiler treatment, shall not be introduced into the potable water.

8. HEATING SYSTEM AND REFRIGERATION

The boiler, when used in connection with a refrigeration system, must be installed so the chilled medium is piped in parallel with the boiler with appropriate valves to prevent the chilled medium from entering the boiler.

The boiler piping system of a hot water boiler connected to heating coils located in air handling units where they may be exposed to refrigerated air circulation must be equipped with flow control valves or other automatic means to prevent gravity circulation of the boiler water during the cooling cycle.

9. INSTALLATION

9.1 CONNECT THE PIPEWORK

- Thoroughly flush out all the water pipework.

•



WARNING

Ensure that all the plastic caps are removed from the boiler connections.

- Secure all the valves/fittings to the boiler
- Ensure the washers supplied are utilized.
- Valves and fittings should be facing the rear wall.
- Fit the union bends to the valves.

Note:

a. If soldering to the boiler union bends, ensure that the bends are not connected to the valves, otherwise the internal seals may be damaged.

b. Ensure the 3/4" / 22.2 mm isolating valve with the filter is fitted to the heating return connection.

c. Fit the pressure relief valve connection vertically before the heating isolating valve.

- Connect the system valve pipework to the boiler.

Do not forget that the pressure relief valve discharge pipe must be routed clear of the boiler to a drain in such a manner that it may be seen, but cannot cause injury to a person or property.

- Ensure that all the valves are closed (spindle flats at right angles to valve) and do not turn on the water or gas supplies at this stage.
- Connect the condensate trap, supplied with the boiler, to a drain making sure there is a continuous slope towards the drain. Avoid level horizontal sections.



WARNING

The boiler and its individual shutoff valve must be disconnected from the gas supply piping system during any pressure testing of that system at test pressures in excess of 1/2 psi (3.40 kPa - 34.47 mbar).

The boiler must be isolated from the gas supply piping system by closing its individual manual shutoff valve during any pressure testing of the gas supply piping system at test pressures equal to or less than 14" w.c. (3.5 kPa.)

The boiler shall be installed such that the gas ignition system components are protected from water dripping, spraying, rain, etc. during appliance operation and service (circulator replacement, condensate trap, control replacement, etc.)

10. ELECTRICAL CONNECTIONS

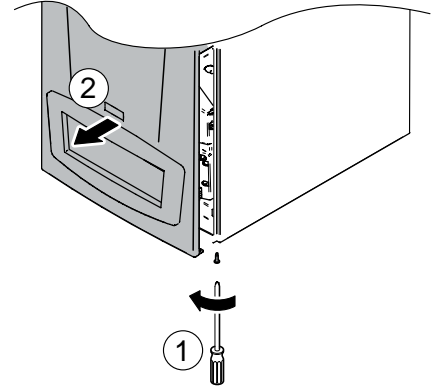
The boiler requires a 120V 60Hz power supply. Ensure the electrical supply is polarized.

The boiler must be grounded and on a dedicated circuit.

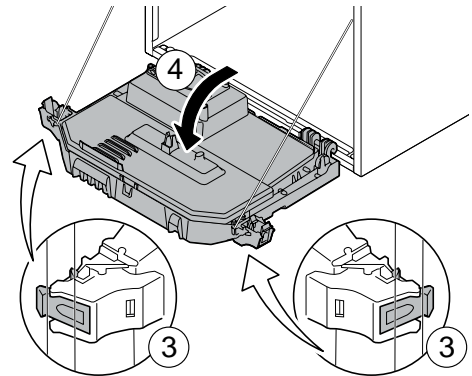
There must only be one common isolator, providing complete electrical isolation for the boiler and any external controls. Using PVC insulated cable 18 AWGx3C 221°F / 105 °C. All wiring must be installed in accordance with requirements of the National Electrical Code and any additional national, state, or local code requirements having jurisdiction. All wiring must be N.E.C. Class 1. Boiler must be electrically grounded in accordance with the National Electrical Code, ANSI / NFPA No. 70-latest edition. In Canada, installation must conform to CSA C22.1 Canadian Electrical Code Part 1 and any local codes.

10.1 ACCESS TO THE CONNECTION BLOCK

1. Unscrew the two screws located under the front panel a quarter turn and remove the panel.
2. Guide the controller or thermostat wire through the round grommet(s) on the right side of the boiler's bottom plate right.
3. Tilt the control box forward by opening the holding clips located on each side of the boiler.
4. Open the control panel cabinet by unfastening the clip on the front of the control box.
5. Run the wire(s) through the grommet(s) in the control panel cabinet.
6. Unscrew the wire clamp (to access the connection block) and bring the wires through.
7. Connect the wires to the appropriate terminals on the connection block.
8. Firmly tighten the wire clamps and close the control panel cabinet.



Various thermostats and controllers can be connected to the standard control PCB (X12 connection block).



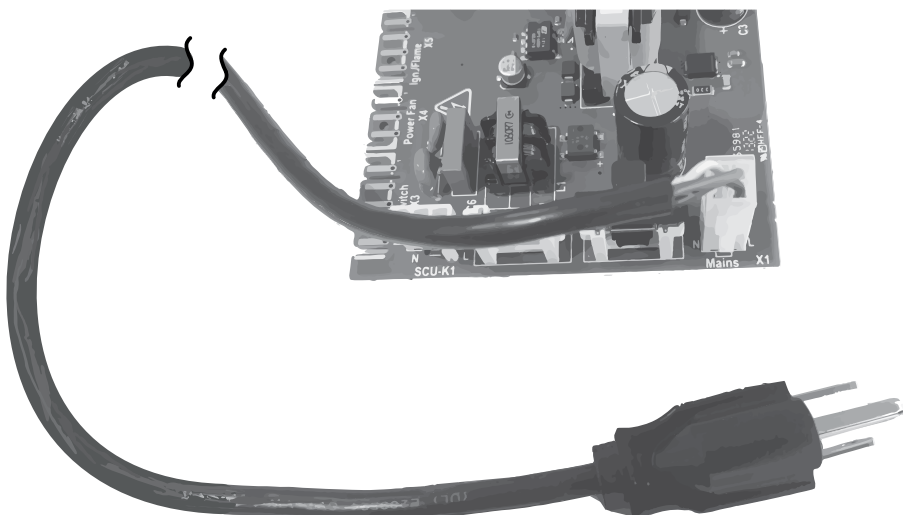
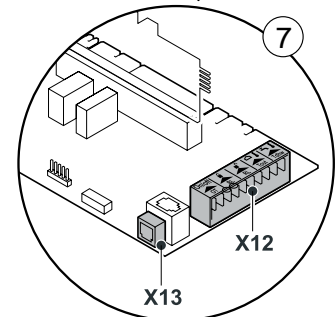
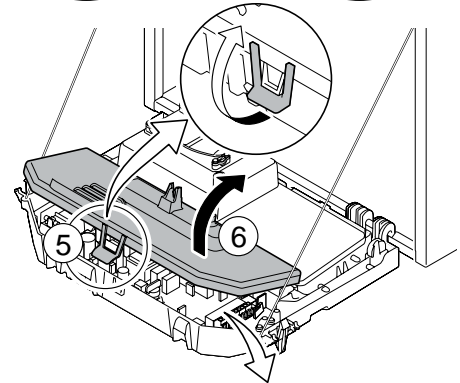
WARNING

If the appliance is connected to an infloor system, install a limit thermostat to prevent the latter from overheating.

10.1.1 MAIN SUPPLY CONNECTION

DANGER

The main supply is connected to terminal block X1 which is high voltage (120V / 60Hz).

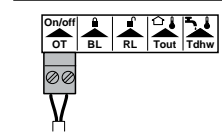
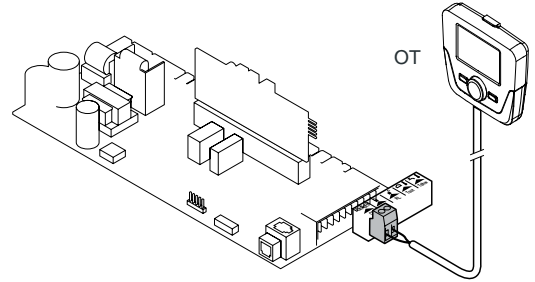


10.2 ACCESSORIES

10.2.1 CONNECTING THE REMOTE CONTROL UNIT (OPEN THERM)

The boiler is fitted with a standard OpenTherm connection.

- As a result, modulating OpenTherm controllers can be connected without further modifications (Room, weather-dependent and cascade controllers). In the case of a room thermostat: Install the room thermostat in a room that is frequently occupied (i.e. the living room).
- Connect the two thermostat wires to the **ON/OFF-OT** terminals on the control board.



i NOTICE

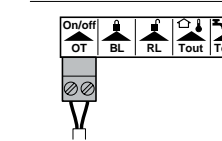
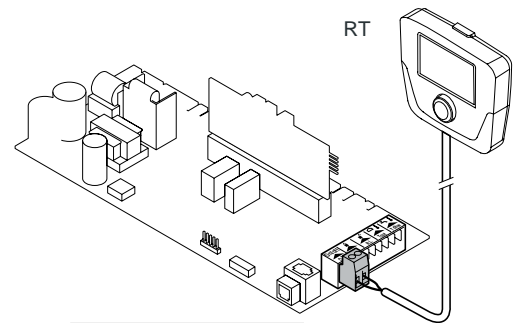
If the DHW temperature can be set on the OpenTherm controller, then the boiler will supply the set temperature. In this case the set value on the boiler will become the maximum DHW temperature the controller can be set to.

10.2.2 CONNECTION THE ON-OFF THERMOSTAT

The boiler is suitable for connection to a 2 wire **ON/OFF** room thermostat (RT).

- Install the room thermostat in a room that is frequently occupied (i.e. the living room).
- Connect the 2 wire 24V room thermostat to the **ON/OFF-OT** terminals of the boiler's control board connection.

Note: The ON/OFF-OT terminals are a dry set of contacts and do not supply 24V to the thermostat.



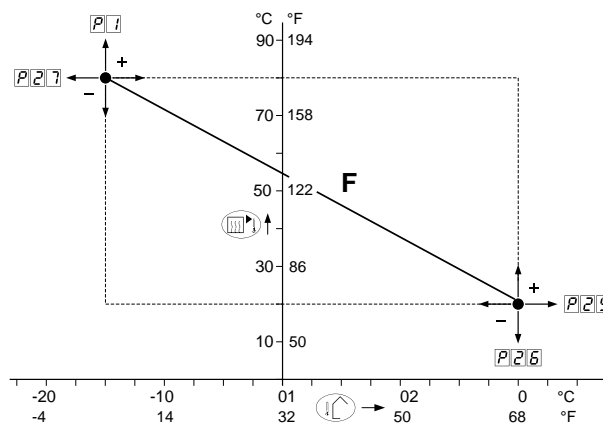
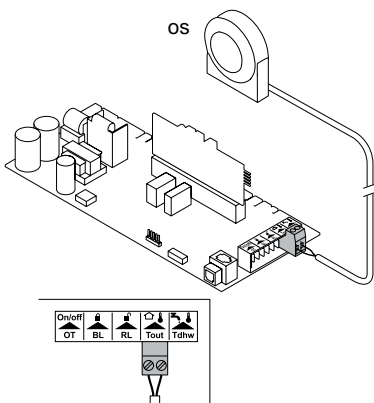
i NOTICE

If a room thermostat with an anticipator is used, parameter P5 must be adjusted.

This boiler is not suitable for a Nest type thermostat without an external AC power supply.

10.2.3 OUTDOOR TEMPERATURE SENSOR

Outdoor temperature sensors are available as an accessory for the boiler. Where there is an on/off thermostat, the boiler will control the temperature with the set point of the internal heating curve.





i NOTICE

An OpenTherm controller can also use this outdoor temperature sensor. If this is the case the heating curve must be set on the OpenTherm controller.

i NOTICE

All wiring must be NEC Class 1. If any of the originally supplied boiler wiring needs to be replaced, use only wire with a TEW 105°C or equivalent designation. The boiler has to be electrically grounded as required by the latest National Electrical Code ANSI/NFPA 70.

 Outdoor temperature.

 Flow temperature.

P1: Supply temperature (maximum).

P25: Supply temperature (minimum).

P26: WWSD (Warm Weather Shutdown).

P27: Outdoor temperature (default).

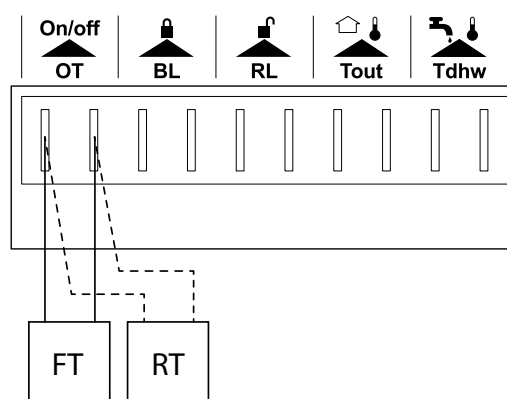
If an outdoor temperature sensor is connected, it is possible to adjust the heating curve. The setting can be modified using parameters **P1**, **P25**, **P26** and **P27**.

10.3 FROST PROTECTION

FROST PROTECTION IN COMBINATION WITH AN ON/OFF THERMOSTAT

If an on/off thermostat is used, it is recommended to protect any rooms where there is risk of freezing by using a freeze thermostat; however, the radiator valve or zone, where there is a risk of freezing, must be open.

- In rooms where there is a risk of freezing, a freeze thermostat (**FT**) should preferably be installed.
- Connect the frost thermostat in parallel with an on/off room thermostat (**RT**) to the ON/OFF-OT terminals of the control board connection.



i NOTICE

When using an OpenTherm thermostat, a freeze thermostat cannot be connected in parallel to the ON/OFF-OT terminals. Instead, implement frost protection for the heating system using the outdoor temperature sensor.

FROST PROTECTION IN COMBINATION WITH AN OUTDOOR TEMPERATURE SENSOR

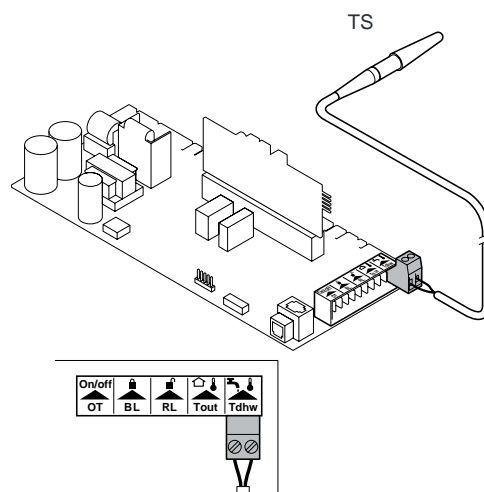
The heating system can also be protected against freezing in combination with an outdoor temperature sensor; however, the radiator valve or zone must be open where there is a risk of freezing. Connect the outdoor temperature sensor to the "T out" terminals of the control board connection.

The frost protection activates when the outdoor temperature sensor reads a temperature lower than 14°F/-10°C (this can be adjusted using parameter P30) the circulation pump switches on and continuously runs until the outdoor temperature increases past the value set on parameter P30.

10.4 DHW INDIRECT WATER HEATER

CONNECTING THE DHW INDIRECT WATER HEATER/THERMOSTAT

Connect the DHW indirect tank sensor or thermostat (**TS**) to the "T dhw" terminals on the control board connection.



10.5 SHUTDOWN INPUT

The boiler has a shutdown input. This input is on the **BL** terminals of the control board connection.

CAUTION

Only suitable for potential-free contacts.

NOTICE

When using an OpenTherm thermostat, a freeze thermostat cannot be connected in parallel to the ON/OFF-OT terminals. Instead, implement frost protection for the heating system using the outdoor temperature sensor.

NOTICE

For use of this input remove the jumper cable.

The behaviour of the input can be changed using **P36** (see section 11.4 "Parameter Settings").

10.6 RELEASE INPUT

The boiler has a release input. This input is on the **RL** terminals of the connector. The behaviour of the input can be changed using **P37** (see section 11.4 "Parameter Settings").

CAUTION

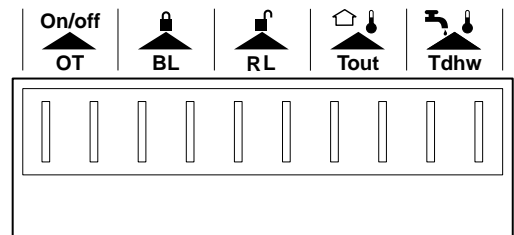
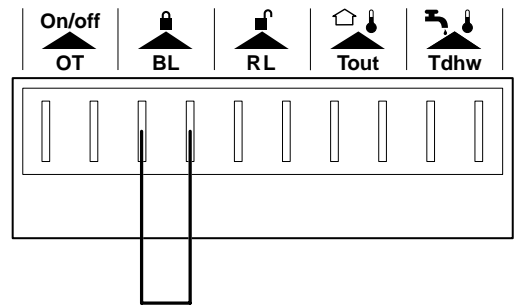
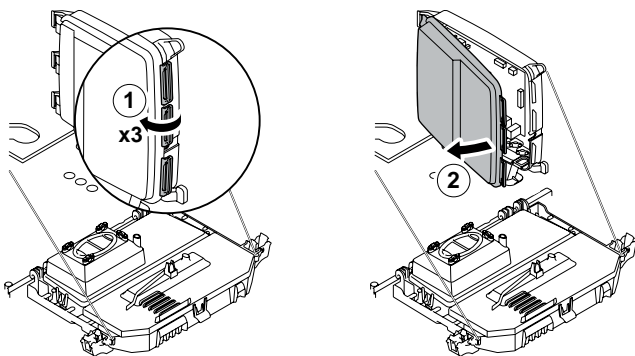
Only suitable for potential-free contacts.

10.7 OPTIONAL ELECTRICAL CONNECTIONS

10.7.1 Auxiliary Control Box

The control **PCBs** are located in the auxiliary control box. See the instructions provided with the control PCB.

- Unclip the PCB cover.
- Remove the cover.

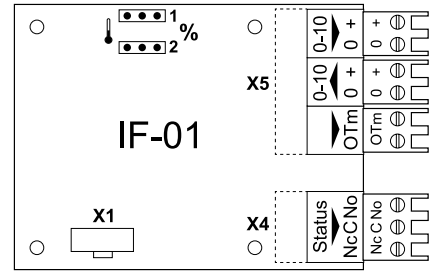


10.7.2 CONNECTION OPTIONS FOR THE 0-10V CONTROL PCB (IF-01)

The **IF-01** control PCB is built into the auxiliary control box. Refer to the instructions supplied with the product.

CAUTION

Do not connect a freeze thermostat or room thermostat to the boiler if using the 0-10 V control PCB.



CONNECTION STATUS (Nc)

If the boiler locks out, a relay is de-energized and an alarm can be transmitted via a dry set of contacts (maximum 120 VAC-1A) on terminals **Nc** and **C** of the control board connection.

CONNECTION (OTm)

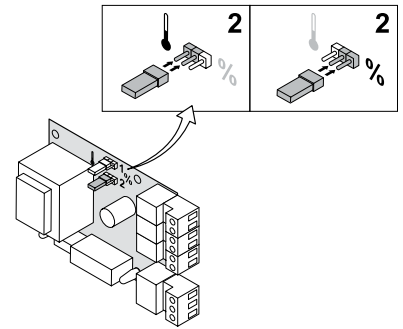
The interface communicates with the boiler control using an **OpenTherm** protocol. The OTm connection must be connected to the **OpenTherm** input OT of the boiler control.

ANALOGUE INPUT (0-10V)

This control can be based on temperature or heat output. The two controls are described briefly below. For analog control, the 0-10 V signal must be connected to the interface.

ANALOG TEMPERATURE-BASED CONTROL

The 0 - 10 V signal controls the boiler supply temperature between 68°F/20°C and 176°F/80°C. This control modulates on the basis of the supply temperature, whereby the heat output varies between the minimum and maximum values based on the supply temperature set point calculated by the controller. Jumper 2 on the interface is used to select either temperature control (🌡️) or heat output control (%).



JUMPER 2	INPUT SIGNAL (V)	TEMPERATURE (°F/°C)	DESCRIPTION
🌡️	0 - 1.5	32-59 / 0-15	Boiler off
	1.5 - 1.8	59.0-64.4 / 15.0-18.0	Hysteresis
	1.8 - 10.0	64.4-176.0 / 18.0-80.0	Temperature required

ANALOG HEAT OUTPUT-BASED CONTROL

The 0-10V signal controls the boiler output between 0% and 100%. The minimum and maximum values are limited. The minimum output is linked to the boiler's modulation depth. The output varies between the minimum and maximum value on the basis of the value determined by the controller.

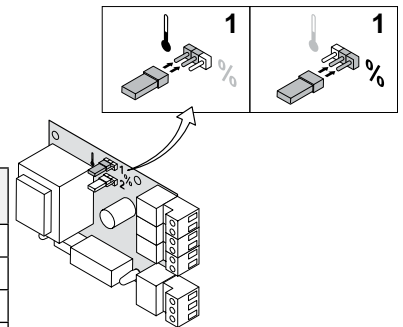
JUMPER 2	INPUT SIGNAL (V)	TEMPERATURE (°F/°C)	DESCRIPTION
%	0.0 - 2.0	32-68 / 0-20	Boiler off
	2.0 - 2.2 ¹	68-72 / 20-22	Hysteresis
	2.0 - 10.0 ¹	72-176 / 20-80	Heat output required

(1) Dependent on the minimum modulation depth (set speeds, standard 20%)

ANALOG OUTPUT 0-10V

The temperature or heat output can be chosen for this feedback message. The two controls are described briefly below.

Jumper 1 on the interface is used to select either temperature control (🌡️) or heat output control (%).



JUMPER 1	OUTPUT SIGNAL (V)	TEMPERATURE (°F/°C)	DESCRIPTION
🌡️	0	32-59 / 0-15	Boiler off
	0.5	59-72 / 15-20	Hysteresis
	2.0 - 10.0	72-176 / 20-80	Temperature required

(1) Dependent on the minimum modulation depth (set speeds, standard 20%)

10.7.3 CONNECTION POSSIBILITIES FOR THE PCB (SCU-S02)

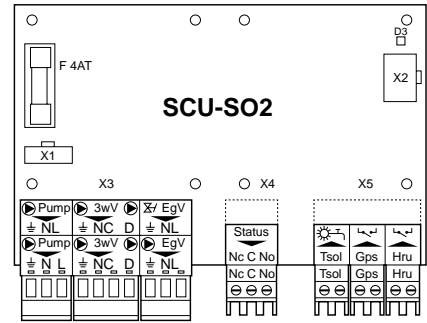
If the boiler is fitted with the control PCB (SCUS02), then this is automatically recognized by the automatic control unit of the boiler.

CAUTION

On removing this PCB, the boiler will show fault code E38. To prevent this fault, an auto-detect must be carried out after removing this PCB (See chapter: "Carrying out an auto-detect").

The LED status indicator D3 at the top right of the control PCB indicates the status:

- Continuous signal: PCB working normally.
- Flashing signal: No connection.
- No signal: No voltage or faulty PCB (Check the wiring).



HEATING SYSTEM EXTERNAL PUMP CONTROL

An external pump for the heating system can be connected to the Pump terminals of the control board. The maximum input power is 300 VA/ 0.4 FHP. An auxiliary relay must be used for a pump with a larger input.

EXTERNAL THREE-WAY VALVE (3WV) CONTROL


The external three-way valve (120 VAC) can be used when connecting an DHW indirectly water heater. The neutral position of the three-way valve can be set using parameter **P34**.

The three-way valve is connected as follows:

- N = neutral.
- C = heating system.
- D = indirect tank.

CAUTION

If the neutral position of the three-way valve is adjusted with parameter P34, the pump should be connected as follows:

- N = N pump.
- C = L pump.
-  = Ground.

EXTERNAL GAS VALVE CONTROL

If there is a call for heat, an alternating voltage of 120 VAC, 1 A (maximum) becomes available on the EgV terminals of the control board to control an external gas valve.

OPERATION SIGNAL AND FAILURE SIGNAL (EgV)

The alarm or operation signal is selected using parameter **P40**.

- If the boiler is operating, the operation signal can be switched using a dry set of contacts (maximum 120 VAC, 1 A) on the **NO** and **C** terminals of the connection.
- If the boiler locks out, the alarm can be transmitted using a dry set of contacts (maximum 120 VAC, 1 A) on the **No** and **C** terminals of the connection.

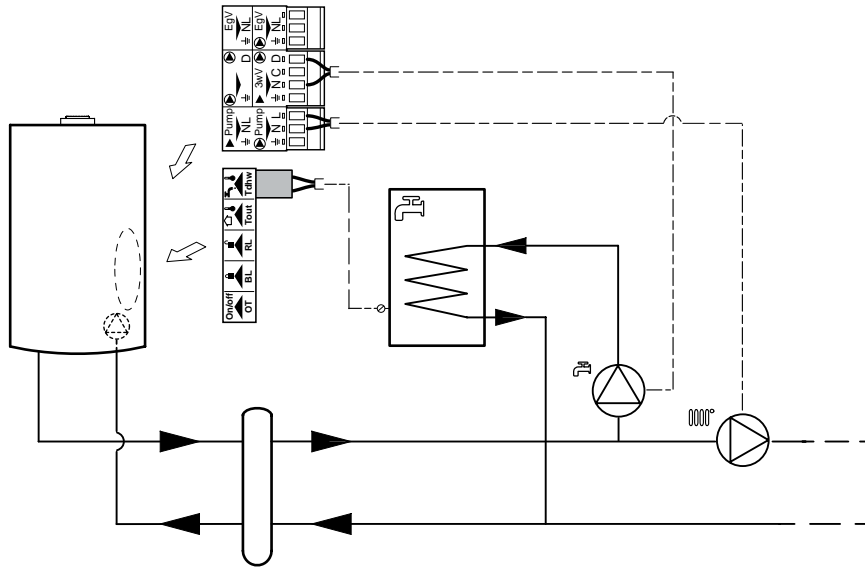
PRESSURE SWITCH MINIMUM GPS

The minimum gas pressure switch shuts the boiler down if the inlet gas pressure becomes too low. Connect the minimum gas pressure switch to the Gps terminals. The presence of the gas pressure switch must be set using parameter **P41**.

10.8 EXAMPLES OF HYDRONIC CIRCUITS WITH AUXILIARY CONTROL BOARD

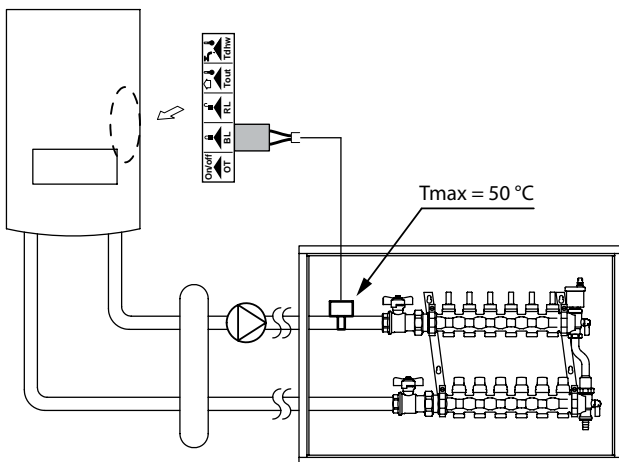
10.8.1 EXAMPLE OF A HYDRONIC CIRCUIT WITH DHW INDIRECT WATER HEATER

- Connect the Indirect tank sensor to the **Tdhw** terminals as described in section 10.4.
- Connect the CH (Central Heating) pump on terminal **N-L "Pump"** of the control PCB (SCU-02) see section 10.7.3.
- Connect the DHW (Domestic Hot Water) pump on terminal **N-D "3wV"** of the control PCB (SCU-02) see section 10.7.3.



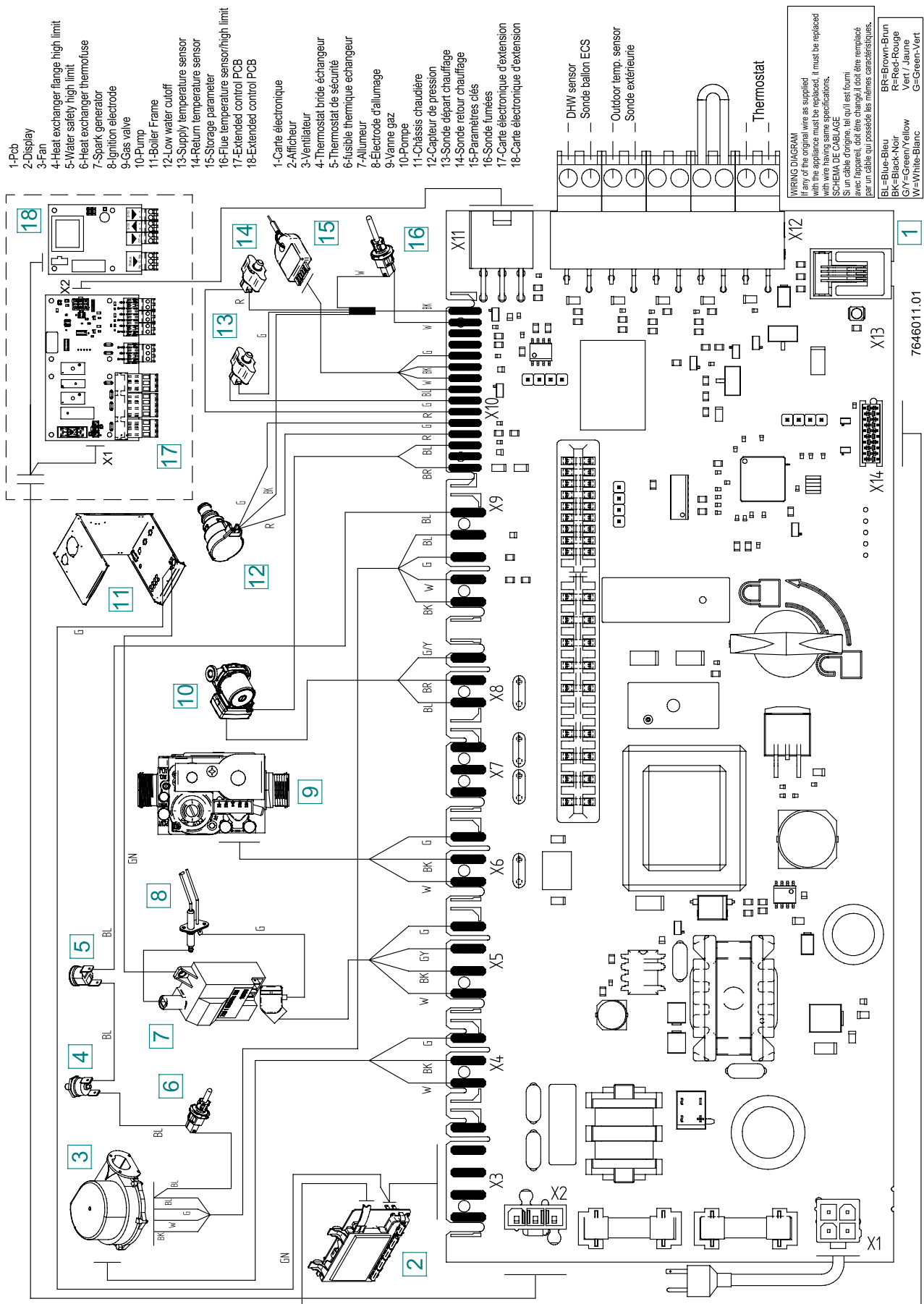
10.8.2 EXAMPLE OF SYSTEM SHUTDOWN INPUT CONNECTION

The example below shows the connection of a shutdown input for the system connecting to the auxiliary board (see section 10.6).



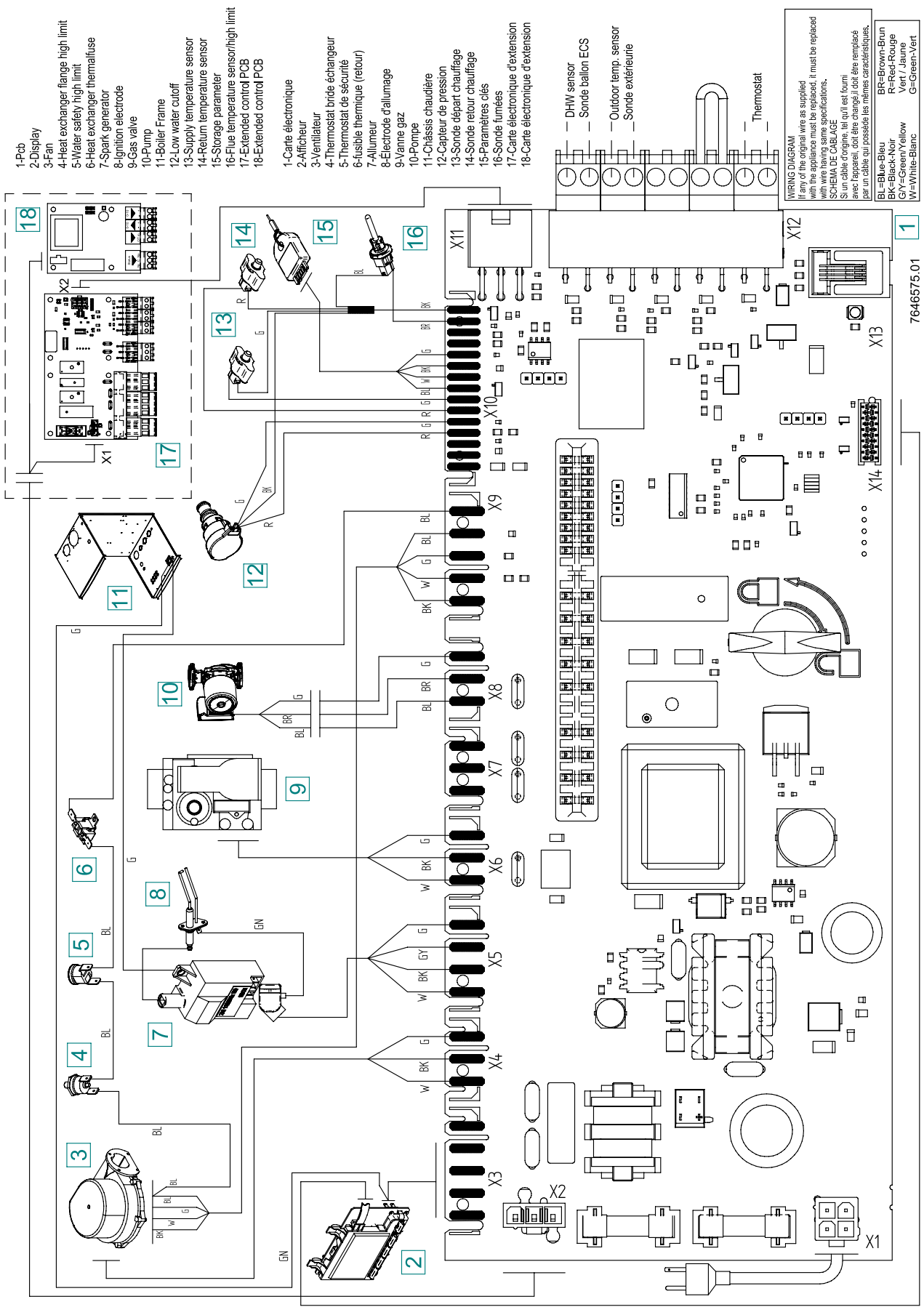
10.9 WIRING DIAGRAMS

10.9.1 LUNA DUO-TEC 1.70



INSTALLER Section (en)

10.9.2 LUNA DUO-TEC 1.110



- 1-Pcb
- 2-Display
- 3-Fan
- 4-Heat exchanger flange high limit
- 5-Water safety high limit
- 6-Heat exchanger thermal fuse
- 7-Spark generator
- 8-Ignition electrode
- 9-Gas valve
- 10-Pump
- 11-Boiler Frame
- 12-Low water cutoff
- 13-Supply temperature sensor
- 14-Return temperature sensor
- 15-Storage parameter
- 16-Flue temperature sensor high limit
- 17-Extended control PCB
- 18-Extended control PCB

- 1- Carte électronique
- 2- Afficheur
- 3- Ventilateur
- 4- Thermostat bride échangeur
- 5- Thermostat de sécurité
- 6- fusible thermique (retour)
- 7- Allumeur
- 8- Electrode d'allumage
- 9- Vanne gaz
- 10- Pompe
- 11- Châssis chaudière
- 12- Capteur de pression
- 13- Sonde départ chauffage
- 14- Sonde retour chauffage
- 15- Paramètres clés
- 16- Sonde fumées
- 17- Carte électronique d'extension
- 18- Carte électronique d'extension

- DHW sensor
- Sonde ballon ECS
- Outdoor temp. sensor
- Sonde extérieure
- Thermostat

WIRING DIAGRAM
 If any of the original wire as supplied with the appliance must be replaced, it must be replaced with wire having same specifications.
SCHEMA DE CÂBLAGE
 Se un cablu original, iar ce îl înlocuiești, trebuie să aibă aceeași caracteristică.
 Per un cablo original, per un cablo que possiede las mismas características.

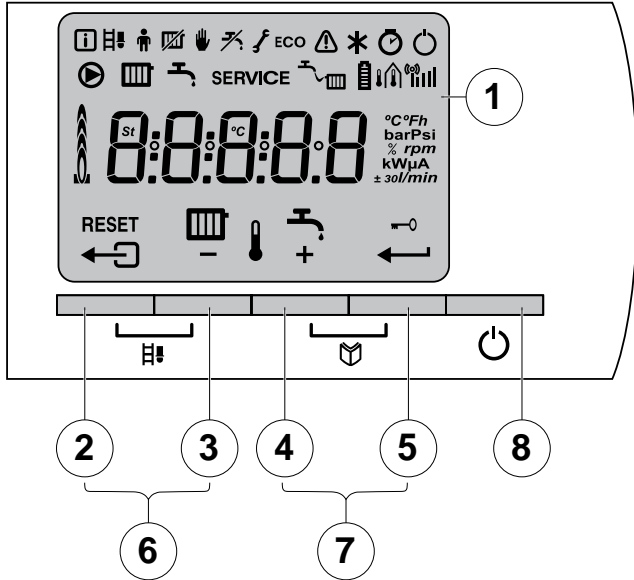
BL=Blue-Bleu BR=Brown-Brun
 BK=Black-Noir R=Red-Rouge
 GN=Green-Yellow V=Yellow
 W=White-Blanc G=Green-Vert

7646575.01

11. COMMISSIONING

11.1 CONTROL PANEL

Display functions



1	Display
2	[Escape] or RESET button
3	Heating temperature button or [-]
4	DHW temperature button or [+]
5	[Enter] or cancel button lock-out
6	[Chimney-sweeping] button (press the 2 and 3 buttons simultaneously)
7	[Menu] buttons (press the 4 and 5 buttons simultaneously)
8	ON/OFF switch

Symbols

	Information menu: Reading the various current values.
	Chimney-sweeping position: Forced full or part load for CO2 measurement.
	User menu: Parameters at user level can be changed.
	Heating program deactivated: The heating function is deactivated.
	Manual mode: Boiler is set to manual operation.
	DHW program deactivated: The DHW mode is deactivated.
	Service menu: Parameters at installer level can be changed.
ECO	Energy-saving mode: Economic mode activated.
	Fault: Boiler indicates a fault. This can be seen from the E code and red display.
	Frost protection: Boiler is running in frost protection mode.
	Hour counter menu: Readout of the operating hours, number of successful starts and hours on mains supply.

	ON/OFF switch: After 5 lock-outs, the boiler must be switched OFF/ON again.
	Boiler pump: The pump operates.
	Heating system function: Access to heating system temperature parameter.
	DHW function: Access to potable hot water temperature parameter.
SERVICE	Yellow display with the symbols: + SERVICE + (Maintenance message).
	Water pressure: The water pressure is too low.
	Battery symbol: Status of battery of wireless controller.
	Signal strength symbol: Signal strength of the wireless controller.
	Burner level: Indicates the flame is present and the percent of modulation in increments.
	Locking the keys: Key lock-out is activated.

11.2 BEFORE COMMISSIONING



WARNING

Do not put the boiler into operation if the supplied gas is not in accordance with the approved gas types.

Preparing the boiler for commissioning:

- Check that the gas type supplied matches the data shown on the boiler's rating plate.
- Check the gas piping to ensure it is sized and installed correctly.
- Check the hydraulic system to ensure it is sized and installed correctly.
- Check the water pressure in the heating system.
- Check the electrical connections to the thermostat and the other external controls.
- Check any other connections to the boiler.
- Test the boiler at full load (high-fire). Check the gas/air ratio ($O_2/CO_2\%$), if necessary, adjust it.
- Test the boiler at part load (low-fire). Check the gas/air ratio ($O_2/CO_2\%$), if necessary, adjust it.
- Finalize any outstanding work.

11.3 COMMISSIONING SETUP



WARNING

Only a qualified professional may carry out the following operations.



WARNING

Ensure that the boiler is switched off.

- Open the main gas supply.
- Open the gas shutoff valve on the boiler.
- Unscrew the two screws located under the front panel a quarter turn and remove the panel.
- Tilt the control box forward by opening the holding clips located on each side of the boiler.
- Check the gas supply pressure at the pressure outlet **Pi** on the gas valve unit.
- Ensure all gas connections are tight.
- Pressure test the gas line; the test pressure must not exceed 0.87 psig/60 mbar. Purge the gas supply pipe within the boiler by unscrewing the pressure outlet on the gas valve. Tighten the port when the pipe has been sufficiently purged.
- Check all gas connections in the boiler are tight.
- Check the condensate trap — this must be completely filled with clean water.
- Check that there are no leaks from any of the water connections.
- Check the electrical connections, particularly the ground.
- Check the electrical connections to the thermostat and the other external controls.



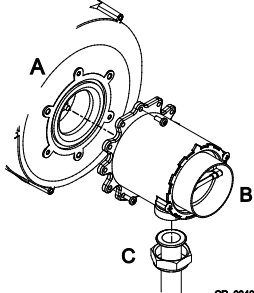
WARNING

The boiler comes set for natural gas; if propane is to be used, the gas valve must be adjusted before turning on the boiler.

- Tilt the control box upwards again and fasten it using the clips located at the sides.
- Open the main gas supply.
- Open the gas shutoff valve on the boiler.
- Plug the boiler into an electrical socket.
- Turn on the boiler using the ON/OFF switch.
- Set the controls (thermostats, control system) so that they generate a call for heat.
- The start-up cycle begins, this cannot be interrupted. During the start-up cycle, the display shows the following information: A short test where all segments of the display are visible.
- - **Fxx** : Software version.
 - **Pxx** : Parameter version. The version numbers are displayed alternately.
- An air purge cycle is then automatically carried out for 3 minutes.

11.3.1 BEFORE GAS CONVERSION

When converting from natural gas (A) to propane gas (E), before calibrating the gas valve, replace the venturi assembly (B) as indicated in the figure. To do this, disconnect the gas pipe (threaded nut "C") and remove the three screws securing the flange. Afterwards, make sure there are no gas leaks.

	NATURAL GAS (GAS A)				PROPANE GAS (GAS E)				
	VENTURI (Ø)		NOZZLE (Ø)		VENTURI (Ø)		NOZZLE (Ø)		
	(in)	(mm)	(in)	(mm)	(in)	(mm)	(in)	(mm)	
LUNA DUO-TEC 1.70	1 3/16	30	7/32	5.3	1 3/16	30	5/32	4	
LUNA DUO-TEC 1.110	1 1/2	38	3/8 / 1/4	9.5/6.4	1 1/2	38	3/16	5	

11.3.2 GAS CONVERSION (LPG)

The boiler is preset to operate on natural gas (A). For operation on propane gas, carry out the following: activate the "Calibration function" to set the boiler to operate on full load and on part load in Heating mode.

- Adjust the Fan Speed as indicated in the table in section "Parameter descriptions". Parameter Settings (if required). The fan speeds can be modified using parameters **P17**, **P18** and **P19**.
- Set the air/gas ratio(O₂/CO₂%): Full load and Part load as describe below.

WARNING

A combustion analyzer must be used to properly set the gas valve

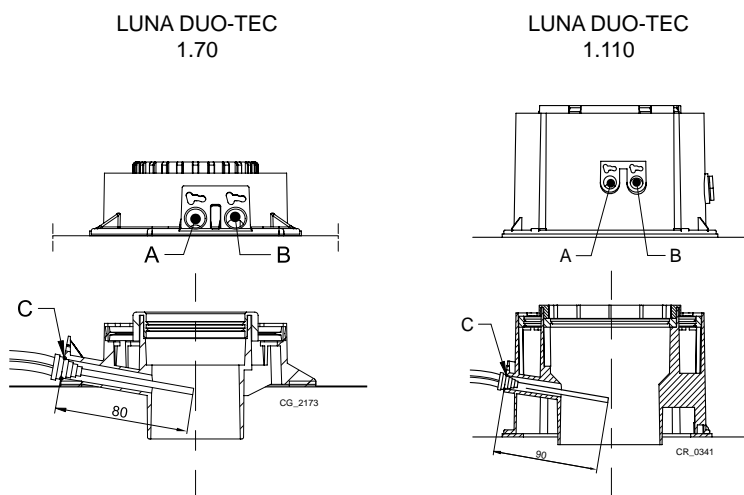
NOTICE

Allow time between adjustments for your combustion analyzer to sense the adjusted CO₂/O₂ level. This function is interrupted if the central heating supply temperature reaches its MAX. SETPOINT.

To measure combustion efficiency and the emissions of the products of combustion, the boiler is has two dedicated test ports built-in. One connection port is connected to the exhaust flue (A), and allows monitoring of the quality of the combustion products and combustion efficiency. The other is connected to the combustion air intake (B), which can be used to check for recycling products for combustion. The following can be measured at the exhaust flue test port:

- temperature of the combustion products;
- oxygen (O₂) or carbon dioxide (CO₂) concentration;
- carbon monoxide (CO) concentration.

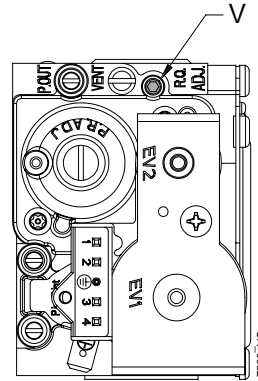
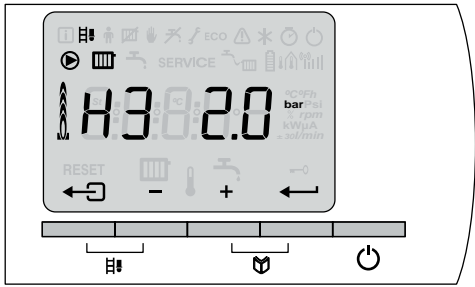
The temperature of the combustion air must be measured on the air intake test port (B) by inserting the measurement sensor about 3 3/16" / 80.00 mm (C) for the LUNA DUO-TEC 1.70 and about 3 1/2" / 90.00 mm for the LUNA DUO-TEC 1.110.



INSTALLER Section (en)

11.3.3 COMBUSTION SETUP (HIGH-FIRE)

- Unscrew the exhaust flue plug at the exhaust flue test port.
- Insert the combustion analyzer into the exhaust flue test port, ensuring that the opening around the combustion analyzer probe is completely sealed when taking measurements.
- Set the boiler to high-fire by pressing the two buttons **H** simultaneously. The display will show **H3** and the symbol **H** will appear.
- Measure the percentage of **O₂** or **CO₂** in the flue gases.
- Compare the measured values with the values in the table below. Note: The front panel should be removed when comparing the values.
- If necessary, adjust the gas/air ratio using the high-fire adjustment screw (**V**). Turn the screw clockwise to reduce the **CO₂** level and counterclockwise to increase it.

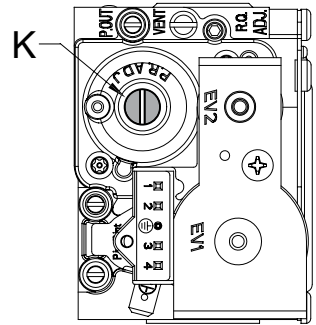
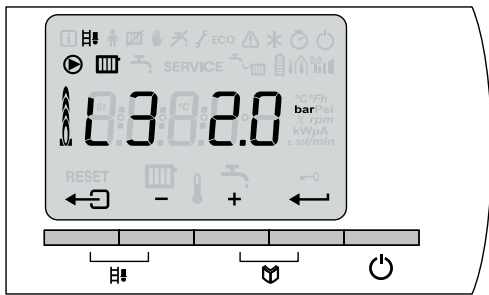


O ₂ /CO ₂ values at high-fire Natural gas (A)				
Boiler type	Nominal value		Permitted value	
	O ₂ (%)	CO ₂ (%)	O ₂ (%)	CO ₂ (%)
LUNA DUO-TEC 1.70 / 1.110	4.3	9.3	3.9 - 4.7	9.1 - 9.5

O ₂ /CO ₂ at high-fire for Propane gas (E)				
Boiler type	Nominal value		Permitted value	
	O ₂ (%)	CO ₂ (%)	O ₂ (%)	CO ₂ (%)
LUNA DUO-TEC 1.70 / 1.110	5.7	10.0	5.4 - 6.0	9.8 - 10.2

11.3.4 COMBUSTION SETUP (LOW-FIRE)

- Unscrew the exhaust port plug at the exhaust flue test port.
- Insert the combustion analyzer into the exhaust flue test port, ensuring that the opening around the combustion analyzer probe is completely sealed when taking measurements.
- Set the boiler to low-fire by pressing the the two **H** buttons simultaneously. If the boiler is already in the combustion setup mode for high fire, press the (-) button several time until L3 is displayed on the screen.
- Measure the percentage of **O₂** or **CO₂** in the flue gases.
- Compare the measured values with the values in the table below. Note: The front panel should be removed when comparing the values.
- If necessary, adjust the gas/air ratio using the adjustment screw (**K**). Turn the screw clockwise to increase the **CO₂** level and counterclockwise to decrease it.



O ₂ /CO ₂ values at low-fire Natural gas (A)				
Boiler type	Nominal value		Permitted value	
	O ₂ (%)	CO ₂ (%)	O ₂ (%)	CO ₂ (%)
LUNA DUO-TEC 1.70	5.7	8.5	5.4 - 6.1	8.3 - 8.7
LUNA DUO-TEC 1.110	4.8	9.0	4.5 - 5.2	8.8 - 9.2

O ₂ /CO ₂ values at low-fire for Propane (E)				
Boiler type	Nominal value		Permitted value	
	O ₂ (%)	CO ₂ (%)	O ₂ (%)	CO ₂ (%)
LUNA DUO-TEC 1.70 / 1.110	6.4	9.6	6.1 - 6.7	9.4 - 9.8

11.4 PARAMETERS SETTINGS

The boiler control panel is set for the most common heating systems. With these settings, most heating systems operate correctly; however, the installer can adjust the parameters according to their own preferences.

Parameter	Description	Adjustment range	Factory setting	
			1.70	1.110
P1	Max supply temperature for the CH mode (Set temperature)	68 to 176°F 20 to 80°C	176°F/80°C	
P2	Max DHW temperature set point	104 to 149°F 40 to 65 °C	140°F/60°C	
P3	Switch on/off CH/DHW function	0 = Heating off / DHW off 1 = Heating on / DHW on 2 = Heating on / DHW off 3 = Heating off / DHW on	2	
P4	Pre-heating a DHW plate exchanger	0 = Always on 1 = Always off 2 = Controller	2	
P5	On/off thermostat anticipator	0 = No 1 = Yes	0	
P6	Type of information on display	0 = Simple 1 = Extended 2 = Automatic 3 = Automatic + Key lock	1	
P7	Pump post run time CH	1 to 98 minutes 99 minutes = continuous	3	

P8	Display brightness when backlight is active	0 = Low 1 = High	1	
P17	Max fan speed during CH mode (0-2000ft)*	Natural gas(1) (x100 rpm)	64	73
		Propane (x100 rpm)	63	71
P18	Max fan speed during DHW mode (0-2000ft)*	Natural gas(1) (x100 rpm)	64	73
		Propane (x100 rpm)	63	71
P19	Minimum fan speed during CH + DHW mode	Natural gas(1) (x100 rpm)	16	12
		Propane(x100 rpm)	15	12
P20	Offset fan speed on low-fire	Natural gas(1) (x100 rpm)	0	0
		Propane	0	0
P21	Fan speed at when boiler starts	(x100 rpm)	30	
P22	Minimum water pressure for notification	0 to 3 bar (x 0.1 bar) 0 to 43.5psig (x 0.1 psig)	7.3psig/0.5 bar	
P23	Maximum supply temperature for heating system	32 to 176°F 0 to 80°C	176°F/80°C	
P24	Hysteresis short-cycling CH	5 to 59°F -15 to 15°C	0	
P25	Maximum outdoor temperature (for use with an outdoor temperature sensor only)	32 to 86°F 0 to 30°C	68°F/20°C	
P26	Minimum CH supply temperature (for use with an outdoor temperature sensor only)	32 to 176°F 0 to 80°C (Only with an outdoor temperature sensor)	68°F/20°C	
P27	Minimum outdoor temperature (for use with an outdoor temperature sensor)	-22 to 32°F -30 to 0°C (Only with an outdoor temperature sensor)	5°F/-15°C	
P28	Pump control, CH minimum speed	2 - 10 (x 10 %)	7	
P29	Pump control, CH maximum speed	2 - 10 (x 10 %)	10	
P30	Minimum outside temperature for frost protection	-22 to 32°F -30 to 0°C	14°F/-10°C	
P31	Legionella function	0 = No 1 = Yes 2 = Controller	1	
P32	Set point Δt for warming up indirect tank	32 to 77°F 0 to 25°C	68°F/20°C	
P33	Switch on hysteresis of DHW indirect tank sensor	35.6 to 59°F 2 to 15°C	41°F/5°C	
P34	3 way valve stand by: Ch or DHW	0 = CH 1 = DHW	0	
P35	Manufacturers information	0 = Solo (+boiler) 1 = Process heat	0	
P36	Blocking input function	0 = CH enable 1 = Blocking without frost protection 2 = Blocking with frost protection 3 = Lock-out with frost protection	1	
P37	Release input function	0 = DHW enable 1 = Burner release	1	

P38	Wait time for valid release signal	0 to 255 seconds 0 = Disabled	0
P39	Wait time for gas valve	0 to 255 seconds	0
P40	Position from alarm/operation signal relay (status relay SCU02 PCB)	0 = Operation signal 1 = failure signal	1
P41	Manufacturers information	0 = no 1 = yes	0
P42	Manufacturers information	0 = No 1 = Yes	0
P43	Power L-N polarity detection activated	0 = No 1 = Yes	0
P44	Service notification for boiler dependant maintenance	0 = Off 1 = ABC 2 = Custom	0
P45	Service hours for boiler connected to power supply	1 to 255 (x 100h)	175
P46	Service hours for boiler burner	1 to 255 (x 100h)	30
P47	Modulate back when $\Delta t >$ this parameter	41 to 140°F 5 to 60°C	160°/60°C
P48	DHW stabilization time	10 to 100 seconds	30
P49	Display units	0 = Metric 1 = Imperial	1
P50	Average supply temperature calculation factor	1 to 255 seconds	1
P51	Flue gas temperature limit	1 = CPVC 0°C / 176°F 2 = PP/SS 110°C / 230°F	1
P52	Air pressure sensor	0: Off 1: On	0
P53	DHW time out mode	0: None 1: Absolute	1
P54	DHW time out	10 to 180 minutes	150
P55	CH priority time	10 to 180 minutes	120
P56	RPM after a loss of flame	10 to 30 (*100rpm)	20
Ad	Detection of connected SCUs	0 = No detection 1 = Detection	0

⁽¹⁾ Do not modify these factory settings unless absolutely necessary. E.g. to adapt the boiler to: Propane (gas E)



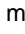
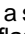
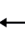
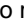
* Refer to section 2.2: Parameter Settings for High Altitude, for high altitude settings.

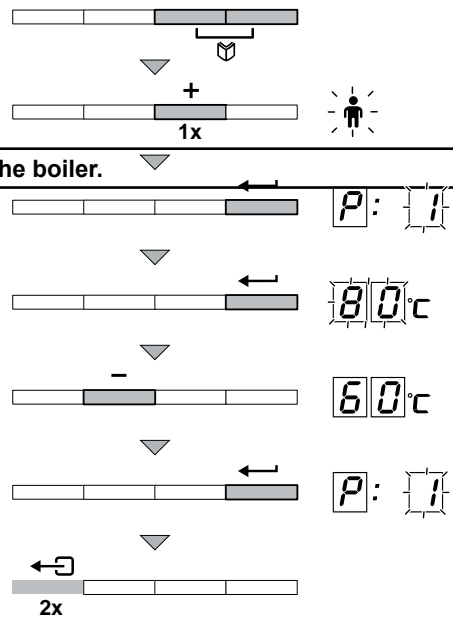
11.4.1 USER-LEVEL PARAMETERS

Parameters **P1** to **P8** can be adjusted by the enduser in order to meet the heating system and DHW comfort needs.

CAUTION

Modification of the factory settings may be detrimental to the operation of the boiler.

- Press the two Menu buttons  simultaneously and then the (+) button until the  symbol flashes on the menu bar.
- Select the user menu using the , (P1) button is displayed with the "1" flashing.
- Press the button  a second time, the central heating supply temperature value appears and flashes. e.g. **80°C** (176°F).
- Change the value by pressing the (-) button or (+) button. In this example using button (-) to **60°C** (140°F).
- Confirm the value with the , (P1) is displayed with "1" flashing.
- Press the  button 2 times to return to the current operating mode.





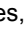




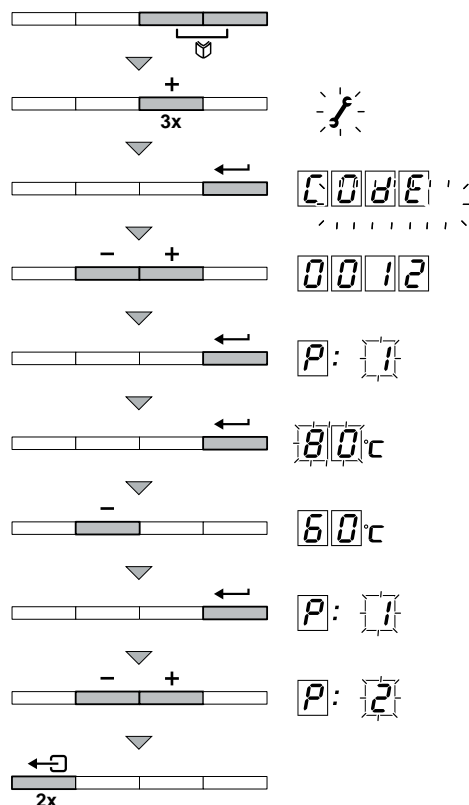
11.4.2 INSTALLER-LEVEL PARAMETERS

Parameters **P17** to **dF (error code history)** must only be modified by a qualified professional. To prevent unwanted settings, some parameter settings can only be changed after the special access code **0012** is entered.

CAUTION

Modification of the factory settings may be detrimental to the operation of the boiler.

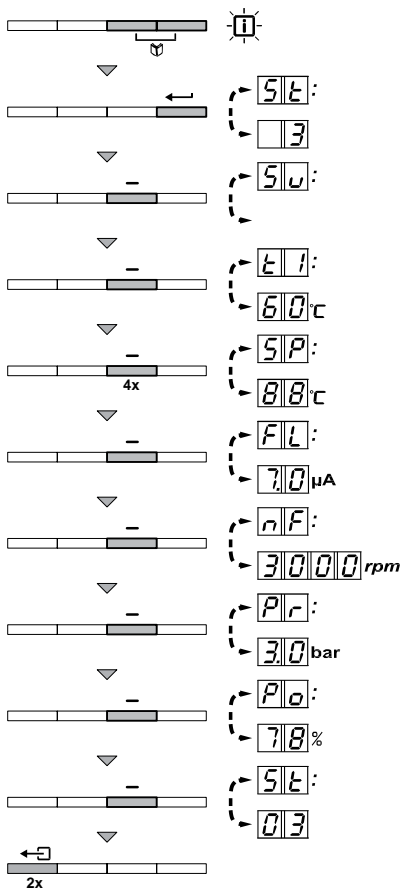
- Press the two Menu buttons  simultaneously and then the (+) button until the  symbol flashes on the menu bar.
- Select the INSTALLER menu using the , "CODE" appears on the display.
- Use (-) or (+) button to input the installer code "0012".
- Confirm using , "P1" is displayed with "1" flashing.
- Press the  button a second time, the value will appear and flashes, e.g. **80°C** (176°F).
- Change the value by pressing the [-] or [+] button. In this example using [-] button to change the value to **60°C** (140°F).
- Confirm the value with the , "P1" is displayed with 1 flashing. If necessary, set other parameters by selecting them using the (-) or (+) button.
- Press the  button 2 times to return to the current operating mode.



11.5 READING MEASURED VALUES

The following current values can be read in the information menu **i**:

- **St** = State
- **Su** = Sub-status
- **t1** = Supply temperature °F/°C
- **t2** = Return temperature °F/°C
- **t3** = DHW tank temperature °F/°C
- **t4** = Outdoor temperature °F/°C (Only with an optional outdoor temperature sensor)
- **t5** = Solar boiler temperature °F/°C
- **t6** = Flue gas temperature °F/°C
- **Sp** = Internal set point °F/°C
- **Fl** = Ionization current (µA)
- **ñf** = Fan speed in rpm
- **Pr** = Water pressure psi/bar
- **Po** = Supplied relative heat output (%).



The current values can be read as follows:



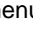
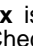

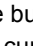
1. Press the two buttons simultaneously. The symbol **i** flashes.
2. Confirm using button. **St** is displayed, alternating with the current status 3 (for example).
3. Press the **[+]** button. **St** is displayed, alternating with the current sub-status **30** (for example).
4. Press the **[+]** button. **t1** is displayed, alternating with the current flow temperature **60**°C (for example).
5. Press the **[+]** button successively to scroll down to the various parameters. **t2**, **t3**, **t4**, **t5**, **t6**
6. Press the **[+]** button. **Sp** is displayed, alternating with the internal set point **88**°C (for example).
7. Press the **[+]** button. **Fl** is displayed, alternating with the current ionization current **70**µA (for example).
8. Press the **[+]** button. **ñf** is displayed, alternating with the current fan rotation speed **3000**rpm (for example).
9. Press the **[+]** button. **Pr** is displayed, alternating with the current water pressure **30**bar (for example).
10. Press the **[+]** button. **Po** is displayed, alternating with the current modulation percentage **78**% (for example).
11. Press the **[+]** button. The readout cycle starts again with **St**.
12. Press the button 2 times to return to the current operating mode.

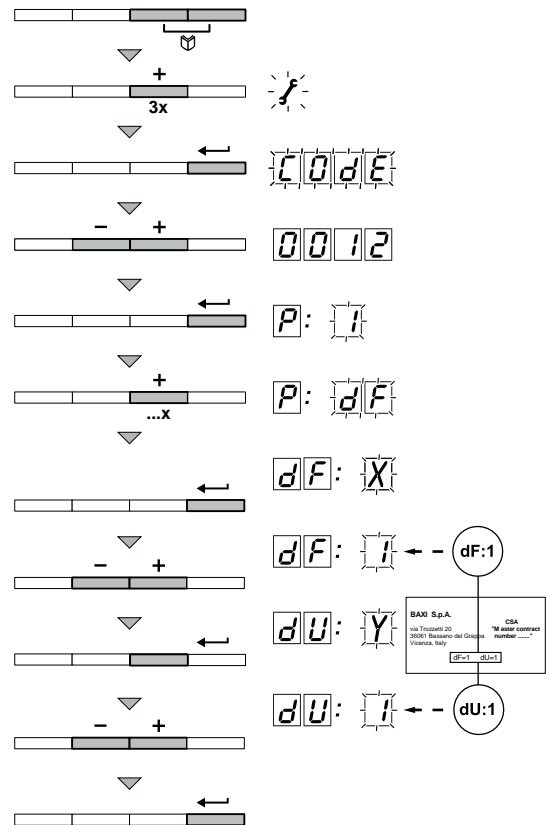
11.6 STATUS AND SUB-STATUS

The information menu **i** gives the following status and sub-status numbers:

State (St)		Sub-status (Su)	
0	Rest	0	Rest
1	Boiler starts (Demand for heat)	1	Short pre-purge of the fan
		2	Control three-way valve
		3	Start pump
		4	sw checks sensor temperatures before the burner starts
2	Burner start	10	Open flue gas damper/external gas valve
		11	Increase fan speed
		13	Pre-purge
		14	Wait for release signal from RL connection
		15	Burner on
		17	Pre-ignition
		18	Ignition
		19	Flame detection
		20	Intermediate ventilation
3	Burner on (heating mode)	30	Temperature control
		31	Limited temperature control (ΔT safety)
		32	Output controlled by 0-10 v signal
		33	Temperature protection gradient level 1 (Modulate down)
		34	Temperature protection gradient level 2 (low-fire)
		35	Temperature protection gradient level 3 (Blockage)
		36	Modulate up for flame control
		37	Temperature stabilization time
4	Burner on (DHW mode)	30	Temperature control
		31	Limited temperature control (ΔT safety)
		32	Output control
		33	Temperature protection gradient level 1 (Modulate down)
		34	Temperature protection gradient level 2 (low-fire)
		35	Temperature protection gradient level 3 (Blockage)
		36	Modulate up for flame control
		37	Temperature stabilization time
5	Burner stop	40	Burner off
		41	Post-purge
		42	Close flue gas damper/external gas valve
		43	Recirculation protection (checks to see if gas valve has closed)
		44	Fan Stops
6	Boiler stops (End of heat call)	60	Pump post circulation
		61	Pump off
		62	Control three-way valve
		63	Short-cycling counter activates
8	Stop	0	Wait for burner start
		1	Short cycling protection function
9	Lock-out	xx	Shutdown codexx
17	Deaeration/ air purge	0	Rest
		2	Control three-way valve
		3	Start pump
		61	Pump off
		61	Control three-way valve

11.7 RETURN TO THE FACTORY SETTINGS


- Press the two Menu buttons  simultaneously and then (+) buttons until the symbol  flashes on the menu bar.
- Select the **INSTALLER** menu using the . "COdE" appears on the display.
- Use (-) or (+) button to input the installer code "0012".
- Confirm using button. P:1 is displayed with 1 flashing.
- Press the [+] button several times p:df is displayed with df flashing.
- Press the button , df:x is displayed with x flashing. This is the current value of X for dF. Check this against the value of X on the type plate.
- Enter the value of X shown on the type plate using the [-] or [+] button.
- Confirm the value with the button , df:y is displayed with y flashing. This is the current value of Y for dU. Verify the value of y on the rating plate is the same.
- Enter the value of y shown on the rating plate using the [-] or [+] button.
- Confirm the value with the button . The factory settings are reset.
- The display returns to the current operating mode.

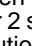


12. TROUBLESHOOTING

The boiler is fitted with an electronic regulation and control unit. The heart of the control system is a microprocessor, the Comfort Master[®], which controls and protects the boiler and also protects the boiler. If a fault is detected anywhere in the boiler, the boiler locks out and the display will show the fault code as follows:

In a red flashing display:

- The symbol 
- The symbol RESET
- The fault code (for example E:01)

The description of each error code are given in the error table below. To reset an error code, press the  button for 2 seconds. If the error code continues to display, search for the cause in the error table and follow the instructions given in the solution section.

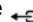
Error code	Description	Probable causes	Checking / Solution
E00	Storage unit PSU parameter not found	Bad connection	Check the wiring
E01	The safety parameters are incorrect	Bad connection PSU defective	Check the wiring Replace PSU
E02	Supply temperature sensor short circuited	Bad connection Sensor fault Sensor not/poorly connected	Check the wiring Check that the sensors are operating correctly Check that the sensor has been correctly fitted Replace the sensor if necessary
E03	Supply temperature sensor open circuit	Bad connection Sensor fault Sensor not/poorly connected	Check the wiring Check that the sensors are operating correctly Check that the sensor has been correctly fitted Replace the sensor if necessary
E04	Temperature of heat exchanger too low.	Bad connection Sensor fault Sensor not/poorly connected	Check the wiring Replace the sensor if necessary Purge the air in the heating system Check for water circulation (direction, pump, valves) Check the water pressure
E05	Heat exchanger temperature too high	No circulation	Check that the sensors are operating correctly Check that the sensors have been correctly fitted Check the cleanliness of the heat exchanger
E06	Return temperature sensor short circuited	Bad connection Sensor fault Sensor not /poorly connected	Check the wiring Check that the sensor has been correctly fitted Check that the sensors are operating correctly
E07	Return temperature sensor open circuit	Bad connection Sensor fault Sensor not/poorly connected	Check the wiring Check that the sensor has been correctly fitted Check that the sensors are operating correctly

E08 E09	Return temperature too low Return temperature too high	Bad connection Sensor fault Sensor not/poorly connected No circulation	Check the wiring Replace the sensor if necessary Purge the air in the heating system Check for water circulation (direction, pump, valves) Check the water pressure Check that the sensors are operating correctly Check that the sensors have been correctly fitted Check the cleanliness of the heat exchanger
E10 E11	Temperature difference between the supply and return temperatures too great	Sensor fault Sensor not/poorly connected No circulation	Replace the sensor if necessary Purge the air in the heating system Check for water circulation (direction, pump, valves) Check the water pressure Check that the sensors are operating correctly Check that the sensors have been correctly fitted Check the cleanliness of the heat exchanger Check that the heating pump is operating correctly
E12	Temperature of heat exchanger is above the normal range (high- limit thermostat STB)	Bad connection Sensor fault Sensor not/poorly connected No circulation	Check the wiring Replace the sensor if necessary Purge the air in the heating system Check for water circulation (direction, pump, valves) Check the water pressure Check that the sensors are operating correctly Check that the sensors have been correctly fitted Check the cleanliness of the heat exchanger Check that parameter P35 has been set correctly
E14	5 burner start-up failures	No ignition	Check spark generator wiring Check the ionization/ignition electrode Check the condition of the burner Check the grounding Defective control SU PCB
		Presence of spark but no flame formation	Purge the gas supply to remove air Check that the gas valve is fully opened Check the gas supply pressure Check the operation and setting of the gas valve Check that the air inlet and exhaust flue are not blocked Check the wiring on the gas valve Defective control SU PCB
		Presence of the flame but insufficient ionization (<3 µA)	Check that the gas valve is fully opened Check the supply pressure Check the ionization/ignition electrode Check the grounding Check the wiring on the ionization/ignition electrode
E16	False flame signal	Ionization current present when there should not be a flame Ignition transformer defective Gas valve defective The burner remains very hot: CO ₂ too high	Check the ionization/ignition electrode Check the gas valve and replace if necessary Recalibrate the CO ₂
E17	Problem on the SU PCB	Bad connection Defective SU PCB	Check the wiring Inspect the SU PCB and replace it if need be
E34	Fan fault	Bad connection Fan defective	Check the wiring Replace the fan if need be Check for adequate draw on the flue connection
E35	Supply and return reversed	Bad connection Sensor fault Sensor not/poorly connected Water circulation direction reversed	Replace the sensor if necessary Check for water circulation (direction, pump, valves) Check that the sensors are operating correctly Check that the sensors have been correctly fitted
E36	Flame loss	No ionization current	Purge the gas supply to remove air Check that the gas valve is fully opened Check the supply pressure Check the operation and setting of the gas valve Check that the air inlet and exhaust flue are not blocked Check that there is no recirculation of flue gases

E37	Communication error with the SU PCB	Bad connection	Check whether the SU PCB has been correctly fitted in the connector on PCU PCB
E38	Communication error with the SCU PCB	Bad connection Defective SCU PCB	Check the wiring Replace SCU PCB
E39	Shutdown input in locked-out mode	Bad connection External problem Parameter incorrectly set	Check the wiring Find external problem Check the parameters
E41	No water temperature change during the deaeration/air purge	Bad connection Supply/Return sensor damaged No water circulation	Check the sensor connection Replace the sensor Check the pump connection
E42	Low water cutoff disconnected or water pressure too low	Bad connection Water pressure low	Check the wiring Refill the system Check for leak
E43	No water temperature change during boiler operation (burner on)	Bad connection Supply/Return sensor damaged No water circulation	Check the sensor connection Replace the sensor Check the pump connection
E44	Difference between supply/return temperature too high	Bad connection Supply/Return sensor damaged No water circulation	Check the sensor connection Replace the sensor Check the pump connection


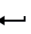
12.1 SHUTDOWNS AND LOCK-OUTS

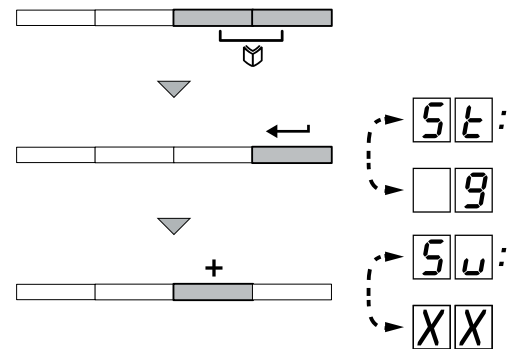
Blockage

If a blockage condition continues to exist after several start up attempts, the boiler will switch into lock-out (fault) mode. The boiler can only start operating again once the causes of the lock-out have been rectified and after pressing the  button.

Lock-out Mode

A temporary lock-out caused by an unusual occurrence in the boiler's operation. e.g. The display gives a code of a blocked flue (code St9). The boiler control will try to re-start several times. The boiler will start up again after the blocking conditions have been eliminated. The shutdown codes can be read out as follows:

- Press the two buttons  simultaneously.
- Confirm by pressing  button. "St" is displayed, alternating with the shutdown code "9".
- Press the (+) button. "Su" appears on the display.



NOTICE

The boiler starts up again automatically when the reason for the blocking has been removed.

Shutdown code	Description	Probable causes	Checking / solution
Su:0	Parameter error	Parameter error on the PSU PCB	Reset df and dU Restore parameters
Su:1	Maximum supply temperature exceeded	Non-existent or insufficient circulation / sensor error	Check the circulation (direction, pump, valves) Reasons for the heat demand
Su:2	Maximum increase of the supply temperature has been exceeded	Non-existent or insufficient water circulation / sensor error	Check the circulation (direction, pump, valves) Check the water pressure Check that the sensors are operating correctly Check that the sensor has been correctly fitted Check the cleanliness of the heat exchanger
Su:7	Max difference between T.supply/return exceeded	Non-existent or insufficient circulation / sensor error	Check the circulation (direction, pump, valves) Check the water pressure Check that the sensors are operating correctly Check that the sensor has been correctly fitted Check the cleanliness of the heat exchanger
Su:8	No release signal	External cause Parameter error Bad connection	Correct the external cause Check the parameters Check the wiring
Su:9	Line and neutral of power supply are mixed up (if P43=1)	Power supply incorrectly wired Floating or 2 phase network	Line and neutral mixed up Set parameter p43 to 0
Su:10	Shutdown input is open	External cause Parameter error Bad connection	Correct the external cause Check the parameters Check the wiring
Su:11	Shutdown input active or frost protection active	External cause Parameter error Bad connection	Correct the external cause Check the parameters Check the wiring
Su:13	Communication error with the SCU PCB	Bad connection with BUS SCU PCB not installed in the boiler	Check the wiring Carry out automatic detection to find aux. PCB's
Su:15	Gas pressure too low	Non-existent or insufficient gas Pressure. Incorrect setting of the Gps gas pressure switch on the SCU PCB	Check that the gas valve is fully opened Check the supply pressure Check whether the Gps gas pressure control system has been correctly fitted Replace the Gps gas pressure control system if need be
Su:16 ⁽¹⁾	Configuration fault or SU PCB not recognized	Wrong SU PCB for this boiler	Replace the SU PCB
Su:17 ⁽¹⁾	Configuration fault or default parameter table incorrect	Parameter dF-dU error on the PSU PCB	Reset df and dU Restore parameters
Su:18 ⁽¹⁾	Configuration fault or PSU PCB not recognized	Wrong PSU PCB for this boiler	Replace the PSU PCB
Su:19 ⁽¹⁾	Configuration fault or parameters "df-du" unknown	---	Reset df and dU Restore parameters
Su:20 ⁽¹⁾	Identification running	---	No action required
Su:21	Communication error with the SU PCB	Bad connection	Check whether the SU PCB has been correctly fitted in the connector on SU PCB

Su:22	No flame during operation	No ionization current	Purge the gas supply to remove air Check that the gas valve is fully opened Check the supply pressure Check the operation and setting of the gas valve Check that the air inlet and exhaust flue are not blocked Check that there is no recirculation of combustion gases
Su:25 ⁽¹⁾	Internal error on the SU-PCb	---	Replace the SU PCB
Su:29 ⁽²⁾	tFG sensor above maximum setpoint	Non-existent or insufficient water circulation / sensor error	Replace the flue high limit. Check the circulation (direction, pump, valves) Check the water pressure Check that the sensors are operating correctly Check that the sensor has been correctly fitted Check the cleanliness of the heat exchanger
Su:30 ⁽²⁾	No tFG sensor connected / shorted Boiler stop	Flue high limit disconnected / Sensor error	Replace the flue high limit.
Su:33	after 5 times tF>tF Max: controlled stop	Non-existent or insufficient circulation / sensor error	Replace the supply sensor. Check the circulation (direction, pump, valves) Check the water pressure Check that the sensors are operating correctly Check that the sensor has been correctly fitted Check the cleanliness of the heat exchanger
Su:34 ⁽²⁾	after 5 times tFG>tFmax: controlled stop	Non-existent or insufficient circulation / sensor error	Replace the flue high limit. Check the circulation (direction, pump, valves) Check the water pressure Check that the sensors are operating correctly Check that the sensor has been correctly fitted Check the cleanliness of the heat exchanger
Su:35	Insufficient gradient on T1(supply) or T2(return) after burner starts	Non-existent or insufficient circulation / sensor error	Check the circulation (direction, pump, valves) Check the water pressure Check that the sensors are operating correctly Check that the sensor has been correctly fitted Check the cleanliness of the heat exchanger

(1) These lock-outs are not stored in the fault memory

(2) tFG : flue gas sensor

12.2 ERROR HISTORY

The boiler control is equipped with an error memory which, records the last 16 errors. In addition to storing the error codes, the following data is also saved:

- Number of times that the error occurred: (n:xx).
- Boiler operating mode selected (St:xx).
- The supply temperature (t1:xx) and the return temperature (t2:xx) when the error occurred.

To view the error history, you first have to enter access code **0012**.

12.2.1 ERROR HISTORY READOUT

- Press the two buttons simultaneously and then the (+) button until the symbol flashes on the menu bar.
- Select the installers menu using the button. "CODE" appears on the display.
- Use the (-) or (+) button to input the installer code **0012**.
- Press the button. "Er:xx" appears on the display.
- The fault list can be displayed by pressing the (-) or (+) button.
- Confirm using button. "Er:xx" is displayed with "xx" flashing = Last error which occurred, for example "2".
- Use the (-) or (+) buttons to scroll through the faults.
- Press the button to display the details of the faults or shutdowns.
- Press the (-) or (+) buttons to view the following information:

n:1 = Number of times that the error occurred.

hr = The number of operating hours.

St = State.

Su = Sub-status.

t1 = Supply temperature °F/°C.

t2 = Return temperature °F/°C.

t3 = DHW tank temperature °F/°C.

t4 = Outdoor temperature °F/°C (Only with an outdoor temperature sensor).

t5 = Solar panel temperature °F/°C.

t6 = Flue gas temperature °F/°C.

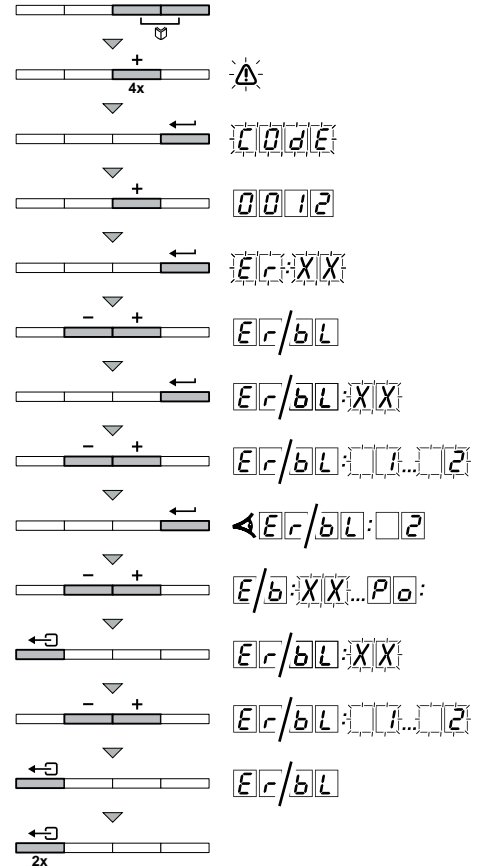
Sp = Internal set point °F/°C. fl = Ionization current (µA).

nf = Fan speed in rpm.

Pr = Water pressure psi/bar.

Po = Supplied relative heat output (%).

- Press the button to interrupt the display cycle. "Er:xx" is displayed with "xx" flashing = Last error which occurred.
- Use the (-) or (+) button to scroll through the faults.
- Press the button to show the fault list.
- Press the button 2 times to exit the error history.



13. MAINTENANCE

13.1 ROUTINE SERVICING

To ensure efficient operation of the boiler it is recommended that it is checked and serviced as necessary at regular intervals. The frequency of servicing will depend upon the particular installation conditions and usage, but in general once per year should be adequate.

The manufacturer recommends that any service work must be carried out by a qualified licensed technician.



CAUTION

Label all wires prior to disconnection when servicing controls. Wiring errors can cause improper and dangerous operation.

IMPORTANT NOTES PRIOR TO SERVICING



WARNING

The combustion chamber insulation in this product contains ceramic fiber material. Ceramic fibers can be converted to cristobalite in very high temperature applications. The International Agency for Research on Cancer (IARC) has concluded, Crystalline silica inhaled in the form of quartz or cristobalite from occupational sources is carcinogenic to humans (Group1). Avoid breathing dust and contact with skin and eyes. Use NIOSH certified dust respirator (N95). This type of respirator is based on the OSHA requirements for cristobalite at the time this document was written. Other types of respirators may be needed depending on the job site conditions. Current NIOSH recommendations can be found on the NIOSH website at <http://www.cdc.gov/niosh/homepage.html>. NIOSH approved respirators, manufacturers, and phone numbers are also listed on this website. Wear long-sleeved, loose fitting clothing, gloves, and eye protection. Apply enough water to the combustion chamber lining to prevent dust. Wash potentially contaminated clothes separately from other clothing. Rinse clothes washer thoroughly.

NIOSH stated First Aid.
Eye: Irrigate immediately.
Breathing: Fresh air.

- Check the flue termination outside and ensure it is not blocked.
- Run the boiler and check the operation of its controls.
- Ensure that all system connections and fittings are sound. Redo any joints and check the tightness of any fittings that may be leaking.
- It is recommended that the operation of the safety valve is checked by lifting the lever at the top of the valve upwards, allowing water to escape from the system - check that this is actually happening.

To ensure the boiler operates at peak efficiency, the following checks must be performed every year:

- check the appearance and tightness of the gas and combustion circuit gaskets
- check the condition and position of the ignition/flame sensing electrode
- check the condition of the burner and ensure it's secure to the aluminum flange
- check for any dirt in the combustion chamber. Use a vacuum-cleaner clean the combustion chamber
- check that the gas valve is calibrated correctly
- check that there is no dirt in the condensate trap
- check on the central heating system pressure
- check on the expansion tank pressure
- check the vent system and clean it if necessary

Record details of the service in the "SERVICE HISTORY" section on last page of this manual.



WARNING

Before servicing the boiler isolate the electrical supply and close the boiler gas service cock. Allow the boiler to cool. Always test for gas leaks after servicing any gas carrying components. Verify proper operation after servicing.

13.2 COMPONENT REPLACEMENT AND PERIODIC CLEANING

It is the law that any service work must be carried out by a qualified technician.



WARNING

Before replacing any boiler components isolate the electrical supply and close the boiler gas service cock. Allow the boiler to cool. Always test for gas leaks after replacing any gas carrying components or disturbing any gas connections. Check the operation of the boiler. Ensure that all the controls are returned to their original settings.

CLEANING THE BOILER

- Remove any deposits from the heat exchanger using a suitable soft brush. Do not use a brush with metallic bristles.
- Check the condition of the combustion chamber insulation panels. Any damaged panels must be replaced.
- Check the condition of the burner injector on the manifold, carefully clean it with a soft brush if necessary. Do not use a brush with metallic bristles as this might damage the injector.
- Remove any fallen deposits from the bottom of the inner case.
- Clean the burner with a soft brush and check that the flame ports are clear. Blockages may be removed with a stiffer brush.
- Check the condition of the electrodes.
- Check the spark gap, positioning and height of the electrodes.
- Check that the fan impeller is clean and free to rotate.

13.2.1 DRAINING THE BOILER

Turn the boiler off, isolate the electrical supply and close the boiler gas service cock. Allow the boiler to cool.

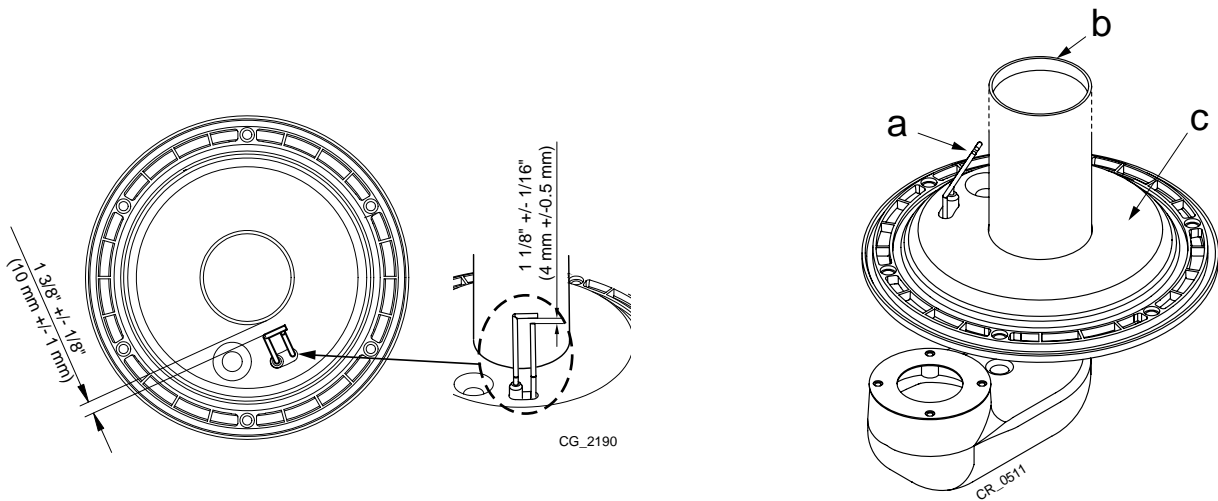
• **Heating circuit**

Close the central heating flow and return valves. Connect a suitable pipe to the drain point and route it to a suitable container. Open the drain tap.

Note:

Some water will remain in the components and care must be taken when removing them.

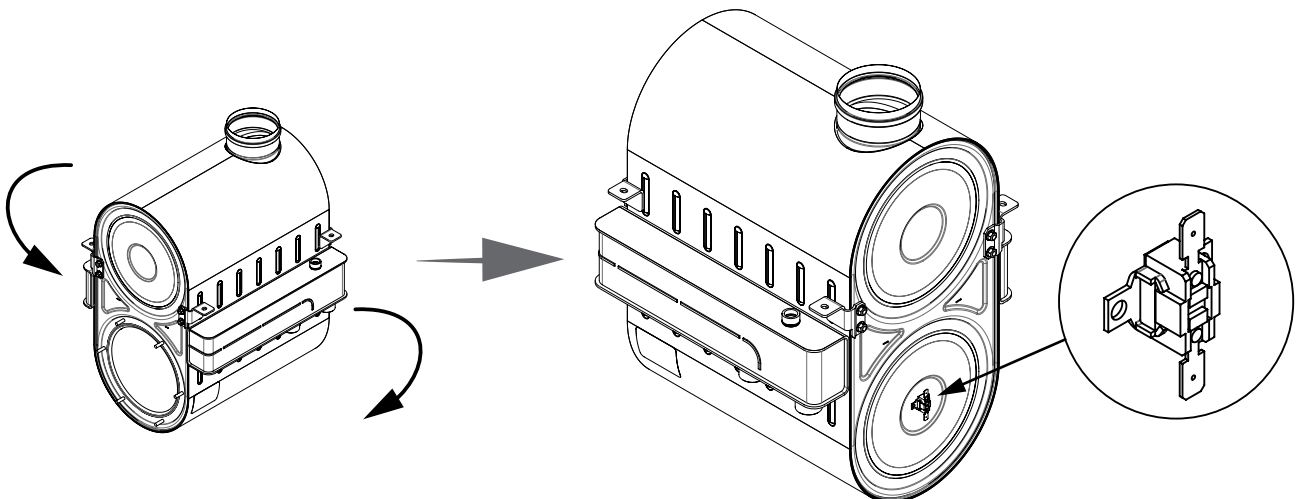
13.2.2 ELECTRODES



13.2.3 THERMAL FUSE/ HEAT EXCHANGER REPLACEMENT

(Only for model LUNA DUO-TEC 1.110)

The thermal fuse is positioned on the rear of the heat exchanger as shown in the figure below. It is electrically connected in series with the safety thermostat. Its function is to protect the heat exchanger from overheating in case of insulation failure. If the thermofuse is to open the error E12 will display on the screen. If the thermofuse is to open, the heat exchanger in it's entirety must be replaced.



14. DISMANTLING, DISPOSAL AND RECYCLING



WARNING

Only qualified technicians are authorized to service the boiler and system.

Before dismantling the appliance, be sure to disconnect the power supply, close the gas inlet shutoff valve and secure all of the boiler and system connections.

Dispose of the appliance correctly according to the laws and regulations in place. The appliance and accessories cannot be discarded along with normal household waste.

More than 90% of the materials that make up the appliance are recyclable.

SOMMAIRE

CONSIGNES DE SÉCURITÉ	55
DÉFINITIONS	55
ENCADRÉS POUR ATTIRER L'ATTENTION	55
AUTRES DÉFINITIONS.....	55
AVANT L'INSTALLATION ET LORS DE L'ENTRETIEN DE LA CHAUDIÈRE	56
LORS DU FONCTIONNEMENT DE LA CHAUDIÈRE	56
EAU DE LA CHAUDIÈRE	56
FLUIDES DE PROTECTION CONTRE LE GEL.....	57
DÉPOSE D'UN APPAREIL DE CHAUFFAGE D'UN SYSTÈME DE VENTILATION COMMUN	57
SYSTÈME D'ÉLIMINATION DES CONDENSATS.....	57
1. INTRODUCTION.....	58
2. DONNÉES TECHNIQUES.....	58
2.1 PERFORMANCE	58
2.2 RÉGLAGES DES PARAMÈTRES POUR UNE ALTITUDE ÉLEVÉE.....	59
2.3 SYSTÈME.....	59
2.4 COMPOSANTS PRINCIPAUX.....	60
2.5 INFORMATIONS GÉNÉRALES D'INSTALLATION	60
2.6 ÉLECTRIQUE	61
2.7 HAUTEUR D'ÉLEVATION DISPONIBLE POUR LE CHAUFFAGE CENTRAL.....	61
2.8 SCHÉMA DE LA CHAUDIÈRE.....	62
3. INFORMATIONS GÉNÉRALES SUR LA CHAUDIÈRE	64
DÉGAGEMENTS POUR L'ENTRETIEN.....	64
3.1 SÉLECTION DE L'EMPLACEMENT DE LA CHAUDIÈRE	65
3.2 EMBLEMMENT DE LA CHAUDIÈRE.....	65
3.3 MONTAGE DE LA CHAUDIÈRE.....	65
3.4 RINÇAGE DE L'INSTALLATION.....	65
3.5 ALIMENTATION EN GAZ.....	66
3.6 ALIMENTATION ÉLECTRIQUE	66
3.7 ALIMENTATION EN AIR	66
3.8 MODE DE PROTECTION CONTRE LE GEL	66
3.9 PROTECTION CONTRE LE BLOCAGE.....	66
3.10 TUYAUTERIE DE GAZ	66
4. SYSTÈME DE VENTILATION.....	67
INSTALLATION DE LA BOUCHE D'ÉCHAPPEMENT ET DE LA BOUCHE D'ENTRÉE D'AIR	67
4.1 INSTRUCTIONS DE VENTILATION.....	68
SUPPORT DE VENTILATION CONCENTRIQUE	69
OPTIONS POUR LE CONDUIT DE FUMÉE	69
EMPLACEMENT DE LA VENTILATION CONCENTRIQUE À VIS.....	70
OPTIONS POUR L'INSTALLATION DE TERMINAUX DE FUMÉE HORIZONTAUX SÉPARÉS.....	71
BAXI POLYPROPYLENE SYSTÈME À TUBE UNIQUE (VENTILATION DE PUISSANCE).....	71
TERMINAUX DE FUMÉE SÉPARÉS.....	72
SUPPORT POUR VENTILATION À DEUX TUYAUX.....	72
DISTANCES MINIMALES TERMINAUX DE FUMÉE SÉPARÉS.....	73
5. EMBLEMMENT DE LA CHAUDIÈRE.....	74
6. INSTALLATION DE CHAUFFAGE CENTRAL.....	75
6.1 REMPLISSAGE DE L'INSTALLATION.....	75
6.2 REMPLISSAGE DU PURGEUR DE CONDENSAT	75
6.3 REMPLISSAGE DE L'INSTALLATION DE CHAUFFAGE.....	76
7. PRODUITS CHIMIQUES TOXIQUES.....	76
8. INSTALLATION DE CHAUFFAGE ET DE RÉFRIGÉRATION	77
9. INSTALLATION	77
9.1 CONNEXION DE LA TUYAUTERIE.....	77
10. CONNEXIONS ÉLECTRIQUES.....	78
10.1 ACCÈS AU BLOC CONNECTEUR.....	78
10.2 ACCESSOIRES	79
10.3 PROTECTION CONTRE LE GEL	80
10.4 CHAUFFE-EAU INDIRECT ECS	80
10.5 ENTRÉE ARRÊT.....	81
10.6 ENTRÉE DE DÉBLOCAGE	81
10.7 CONNEXIONS ÉLECTRIQUES EN OPTION.....	81
10.8 EXEMPLES DE CIRCUITS HYDRONIQUES AVEC TABLEAU DE COMMANDE AUXILIAIRE.....	84
10.9 SCHÉMAS DE CÂBLAGE	85
11. MISE EN SERVICE.....	87
11.1 PANNEAU DE CONTRÔLE	87
11.2 AVANT LA MISE EN MARCHÉ	88
11.3 CONFIGURATION DE LA MISE EN SERVICE.....	88
11.4 PROGRAMMATION PARAMÈTRES	91
11.5 LECTURE DES VALEURS MESURÉES	95
11.6 ÉTAT ET SOUS-ÉTAT.....	96
11.7 RETOUR AUX PARAMÈTRES D'USINE	97
12. CODES ERREUR	97
12.1 ARRÊTS ET VERROUILLAGES.....	99
12.2 MÉMOIRE D'ERREUR.....	102
13. ENTRETIEN.....	102
13.1 ENTRETIEN DE ROUTINE	102
REMARQUES IMPORTANTES AVANT L'ENTRETIEN	103
13.2 REMPLACEMENT DE COMPOSANTS ET NETTOYAGE PÉRIODIQUE.....	103
14. DÉMANTÈLEMENT, ÉLIMINATION ET RECYCLAGE	105

Installateur qualifié titulaire d'un permis / Technicien d'entretien

Lire toutes les instructions de ce manuel, et de la section sur la ventilation de la chaudière, avant l'installation, l'entretien ou la maintenance. S'assurer que toutes les étapes sont réalisées dans l'ordre indiqué.

Utilisateur

Le présent manuel est destiné exclusivement aux installateurs de chauffage qualifiés titulaires d'un permis / techniciens d'entretien. Se référer au Guide de l'Utilisateur pour toute instruction nécessaire.

La vérification et l'entretien de la chaudière doivent être réalisés annuellement par un technicien d'entretien qualifié titulaire d'un permis.

Après la mise en service, s'assurer de connaître tous les points importants, démontrés au besoin, comme indiqué dans la section 2 : « FONCTIONNEMENT DE LA CHAUDIÈRE » du Guide de l'Utilisateur.

CONSIGNES DE SÉCURITÉ

DÉFINITIONS

Les termes suivants sont utilisés dans le présent manuel pour attirer l'attention sur la présence de dangers de différents niveaux de risque ou pour des informations importantes concernant le produit.

ENCADRÉS POUR ATTIRER L'ATTENTION



DANGER

« DANGER » indique une situation dangereuse imminente qui, si elle n'est pas évitée, entraînera la mort ou des blessures graves.



AVERTISSEMENT

« AVERTISSEMENT » indique une situation potentiellement dangereuse qui, si elle n'est pas évitée, pourrait entraîner la mort ou des blessures graves. Si les informations contenues dans le présent manuel ne sont pas suivies à la lettre, un incendie ou une explosion peut entraîner des dommages matériels, des blessures ou la mort.



ATTENTION

« ATTENTION » indique une situation dangereuse imminente qui, si elle n'est pas évitée, entraînera des blessures et d'importants dommages matériels.



AVIS

"AVERTISSEMENT" indique les recommandations de BAXI pour les installateurs aidant à garantir un fonctionnement optimal et la longévité de l'équipement.

AUTRES DÉFINITIONS

Installateur qualifié titulaire d'un permis / Technicien d'entretien – tout individu, entreprise, société ou compagnie qui, directement ou par l'entremise d'un représentant est responsable de l'installation, du remplacement, de la réparation ou de l'entretien des tuyauteries de gaz, des systèmes de ventilation, des appareils, des composants, des accessoires ou des équipements, et dont le représentant a de l'expérience et une formation pour ce genre de travail et s'est conformé aux exigences de l'autorité ayant juridiction.

LES RÈGLEMENTS PROVINCIAUX / FÉDÉRAUX PERMETTENT L'INSTALLATION DE CE PRODUIT SEULEMENT PAR DES ENTREPRENEURS DE GAZ AUTORISÉS. CEPENDANT, BAXI CONSEILLE QUE SEULS LES ENTREPRENEURS FORMÉS DANS LES DÉTAILS SPÉCIFIQUES DU PRODUIT BAXI DOIVENT ENTREPRENDRE L'INSTALLATION.

Entretien - La fourniture, l'installation ou l'entretien de biens exécuté par un Installateur qualifié / Technicien d'entretien.

Fournisseur de gaz - Une partie qui vend du Gaz Naturel (Gaz A) ou du GPL (Gaz E) comme marchandise.

Sanitaire - Relatif à l'usage des ménages, par opposition à l'usage commercial.

Eau Sanitaire - Eau potable (eau du robinet).

Combustion - L'acte ou le processus de combustion ; où un combustible est combiné à l'oxygène, généralement à haute température, produisant de la chaleur.

Air comburant - L'air qui est aspiré dans un appareil pour être mélangé avec le carburant et soutenir la combustion.

Conduit de fumée - Un passage fermé pour le transport des gaz de combustion.

Étalonnage - Effectuer des réglages minutieux ou diviser en intervalles marqués pour mesurer de manière optimale.

Appareil - Un dispositif pour convertir le gaz en énergie ; le terme comprend tout composant, contrôle, câblage, tuyauterie ou tubage requis pour l'appareil.

Chaudière - Un appareil destiné à alimenter un liquide chaud à des fins de chauffage de locaux, de traitement ou de puissance.

Système à deux tuyaux - Ce type de ventilation permet aux tuyaux d'évacuation et d'admission d'air d'être séparés les uns des autres. L'air frais peut être admis à une zone différente de celle où le terminal de fumée est situé.

AVERTISSEMENT

Le non-respect de ces lignes directrices peut entraîner de graves blessures, la mort ainsi que d'importants dommages matériels.

AVERTISSEMENT

Si les informations contenues dans les présentes instructions ne sont pas suivies à la lettre, un incendie ou une explosion peut entraîner des dommages matériels, des blessures ou la mort.

Ne pas stocker ou utiliser de l'essence ou d'autres vapeurs et liquides inflammables à proximité de cet appareil ou de tout autre appareil.

QUE FAIRE EN CAS D'ODEUR DE GAZ ?

- Ne tenter d'allumer aucun appareil.
- N'actionner aucun interrupteur électrique ; ne pas utiliser les téléphones situés dans le bâtiment.
- Appeler immédiatement votre fournisseur de gaz ou un technicien qualifié titulaire d'un permis en téléphonant de chez un voisin. Suivre les instructions du fournisseur de gaz ou du technicien qualifié titulaire d'un permis.
- S'il n'est pas possible de joindre votre fournisseur de gaz ou un technicien qualifié titulaire d'un permis, appeler les pompiers.

Baxi conseille d'utiliser un détecteur de monoxyde de carbone avec la gamme de chaudières Baxi. Lors de l'installation d'un détecteur de monoxyde de carbone, suivre scrupuleusement les instructions du fabricant du détecteur de monoxyde de carbone. Il est conseillé d'utiliser un détecteur de monoxyde de carbone conforme à une norme reconnue internationalement comme ANSI/UL 2034- 2002 aux États-Unis ou CSA 6.19-01 au Canada.

AVERTISSEMENT

L'installation et l'entretien doivent être exécutés par un fournisseur de gaz ou un installateur qualifié titulaire d'un permis / technicien d'entretien. En cas de surchauffe ou si l'alimentation en gaz ne s'arrête pas, ne pas éteindre et ne pas déconnecter l'alimentation électrique à la pompe. Au lieu de cela, couper l'alimentation en gaz à un emplacement externe à l'appareil. » Ne pas utiliser cette chaudière si une ou plusieurs parties ont été sous l'eau. Contacter immédiatement un technicien qualifié pour examiner la chaudière et remplacer toute pièce du système de contrôle, ainsi que toute commande de gaz qui ont été sous l'eau.

AVANT L'INSTALLATION ET LORS DE L'ENTRETIEN DE LA CHAUDIÈRE

- Pour éviter des électrocutions, mettre l'appareil hors tension avant de commencer l'entretien.
- Pour éviter de graves brûlures, faire refroidir la chaudière avant de commencer l'entretien.

LORS DU FONCTIONNEMENT DE LA CHAUDIÈRE

- Ne pas bloquer le conduit d'évacuation de combustion ou l'entrée d'air de la chaudière.
- « En cas de surchauffe ou si l'alimentation en gaz ne s'arrête pas, ne pas éteindre et ne pas déconnecter l'alimentation électrique à la pompe. Au lieu de cela, couper l'alimentation en gaz à un emplacement externe à l'appareil.
- Ne pas utiliser cette chaudière si une ou plusieurs parties ont été sous l'eau. Contacter immédiatement un technicien qualifié pour examiner la chaudière et remplacer toute pièce du système de contrôle, ainsi que toute commande de gaz qui ont été sous l'eau.

EAU DE LA CHAUDIÈRE

- En présence d'une ancienne installation équipée de radiateurs en fonte, purger toute l'installation, chaudière non branchée, pour éliminer toute trace de sédiment. L'accumulation de corrosion engendrée par les sédiments pourrait endommager l'échangeur thermique à haut rendement.
- Ne pas utiliser de produits de nettoyage ou d'étanchéité à base de pétrole dans le système de la chaudière. Ils peuvent endommager les joints d'étanchéité de l'installation ; entraînant d'importants dommages matériels.
- Ne jamais utiliser de « remèdes maison » ou de « produits brevetés pour chaudière ». Ils peuvent entraîner d'importants dommages matériels de la chaudière et/ou de graves blessures.
- De l'eau d'appoint fraîche en continu (alimentation automatique) réduira la durée de vie de la chaudière. Les accumulations de sels minéraux dans l'échangeur thermique réduisent le transfert de chaleur, surchauffent l'échangeur thermique en acier inoxydable et causent une défaillance prématurée. L'ajout d'oxygène apporté par l'eau fraîche peut entraîner la corrosion interne des composants de l'installation. Les fuites dans la chaudière ou dans la tuyauterie doivent être réparées, afin d'éviter tout ajout d'eau.
- Nous recommandons l'utilisation d'additifs de traitement de l'eau pour accroître la durée de vie de la chaudière et la protéger contre la corrosion et les accumulations de contaminants dans l'installation de chauffage.
- S'assurer que la tuyauterie de l'installation de chauffage est munie d'une barrière contre l'oxygène.

FLUIDES DE PROTECTION CONTRE LE GEL

ATTENTION

Ne jamais utiliser de glycol automobile, de glycol antigel standard ou même de l'éthylène glycol prévu pour des systèmes hydroniques. N'utiliser que des solutions de propylène glycol inhibé formulées spécifiquement pour les systèmes hydroniques. L'éthylène glycol est toxique et peut détériorer les joints d'étanchéité des systèmes hydroniques. S'assurer que le glycol utilisé ne dépasse jamais 35% du volume de l'installation, car cela pourrait endommager les composants de cette dernière. Choisir l'emplacement de la chaudière en tenant compte de l'installation et de la tuyauterie. En cas de livraison endommagée ou incomplète, le destinataire devra immédiatement porter plainte auprès du transporteur.

DÉPOSE D'UN APPAREIL DE CHAUFFAGE D'UN SYSTÈME DE VENTILATION COMMUN

Lors du retrait d'un appareil de chauffage existant, suivre les étapes suivantes ci-dessous. Lors de cette procédure, chaque appareil qui reste branché au système de ventilation commun doit être en fonctionnement tandis que les appareils qui restent branchés au système de ventilation commun doivent être en stand-by.

- Sceller toutes les bouches inutilisées dans le système de ventilation commun.
- Vérifier de visu le système de ventilation afin de s'assurer que sa dimension et son angle d'horizontalité sont adéquats, puis qu'il n'y a pas d'obstructions, de fuites, de corrosion ou d'autres problèmes pouvant être une source de danger.
- Si possible, fermer toutes les portes et fenêtres du bâtiment, ainsi que les portes entre le lieu où l'appareil est branché au système de ventilation commun et les autres espaces du bâtiment. Brancher toutes les sècheuses de linge et tous les appareils non reliés au système de ventilation commun. Brancher à vitesse maximale tous les ventilateurs, comme les hottes de cuisine et les aspirateurs d'évacuation des salles de bains. Ne pas brancher les ventilateurs d'aspiration d'été. Fermer tous les registres de foyers.
- Brancher l'appareil à inspecter. Suivre les instructions d'allumage. Régler le thermostat de manière à ce que l'appareil fonctionne continuellement.
- Tester pour voir s'il y a un déversement au niveau de la hotte de tirage après 5 minutes de fonctionnement du brûleur principal. Utiliser la flamme d'une allumette ou d'une bougie.
- Après l'exécution de l'essai ci-dessus indiquant que tous les appareils qui restent branchés au système de ventilation commun fonctionnent correctement, remettre toutes les portes, les fenêtres, les ventilateurs, les registres de foyers et tous les autres appareils à combustion à gaz dans leur condition initiale.
- Toutes défaillances du système de ventilation commun doivent être réparées de manière à ce que l'installation soit conforme au « National Fuel Gas Code », ANSI Z223.1.

Lors du redimensionnement de toute portion du système de ventilation commun, remettre à la cote de manière à s'approcher de la dimension minimale, telle que déterminée en utilisant les tableaux appropriés de l'Annexe G dans le « National Fuel Gas Code », ANSI Z 223.1

AVERTISSEMENT

Après l'entretien, vérifier le bon fonctionnement.

SYSTÈME D'ÉLIMINATION DES CONDENSATS

La ventilation doit être utilisée sur une unité à condensation à haut rendement ; elle est donc équipée d'un système d'élimination des condensats. Les condensats ne sont rien d'autre que de la vapeur d'eau, dérivée de la combustion de produits. Il est très important que la conduite de condensat soit inclinée loin de la ventilation et vers le bas pour que les condensats s'écoulent vers une évacuation adaptée. Si les autorités locales l'exigent, un filtre pour les condensats peut être préparé à l'aide de cristaux de chaux, de marbre ou de pailles de phosphate qui neutraliseront les condensats. Cela peut être préparé sur place par l'installateur. Il est aussi très important que la conduite de condensat ne soit exposée ni au gel, ni à aucune autre forme d'obstruction. Le tuyau en plastique doit être le seul matériau utilisé pour la conduite de condensat. L'acier, le laiton, le cuivre et les autres métaux seraient endommagés par la corrosion ou la détérioration. Si la conduite comporte un long tronçon horizontal, une deuxième prise d'air peut être nécessaire afin d'éviter le blocage sous vide. De plus, il peut aussi s'avérer nécessaire d'augmenter la dimension du tuyau afin d'assurer un bon écoulement. Des supports de la conduite de condensats peuvent aussi être nécessaires pour éviter le blocage de l'écoulement des condensats.

ATTENTION

La conduite de condensats doit toujours être libre de toute obstruction, pour que les condensats puissent s'écouler librement. Si les condensats devaient geler dans la conduite ou si celle-ci était obstruée, les condensats s'écouleraient directement à partir du purgeur de condensat de la chaudière et risqueraient de provoquer des dommages d'eaux aux biens.

Remarque :

Utiliser des matériaux approuvés par les autorités compétentes. Dans l'absence d'exigences contraires, le tuyau en PVC et en CPVC doit être conforme aux exigences ASTM D1785, F441 ou D2665. Le ciment et le primaire doivent être conformes aux exigences ASTM D2564 ou F493. Pour le Canada, utiliser des tuyaux en PVC ou CPVC, des accessoires et des ciments certifiés CSA ou ULC. Lors de l'installation d'une pompe à condensat, sélectionner un modèle approuvé pour l'utilisation avec des calorifères et des chaudières à condensation. La pompe doit être équipée d'un commutateur de débordement, afin d'éviter tout dommage matériel en cas d'écoulement des condensats. Les condensats de la chaudière seront légèrement acides (en général, avec un pH de 3,0 à 4,0). Certains codes locaux exigent l'installation d'un filtre de neutralisation.

Section INSTALLATEUR (FR)

1. INTRODUCTION

Luna DUO-TEC 1.70 et Luna DUO-TEC 1.110 sont des chaudières à condensation, étanches, dotées de ventilateur, murales et de chauffage uniquement.

Les chaudières sont conçues pour être utilisées dans une installation de chauffage avec pompe complètement étanche et pressurisée.

Les chaudières sont munies d'une pompe, d'une soupape de surpression et d'un manomètre déjà assemblés et soumis à essai. La puissance maximale disponible pour le chauffage central est de **216,329.68 btu/h (63.40 kW)** avec une augmentation de température de 70°F/39°C pour le modèle DUO-TEC 1.70 et de **348,038.28 btu/h (102.00 kW)** avec une augmentation de température de 70°F/39°C pour le modèle DUO-TEC 1.110.

AVERTISSEMENT

La loi prévoit que toute installation d'appareils à gaz soit effectuée par des professionnels qualifiés. Vous êtes responsable du respect de la loi pour assurer une installation correcte et sûre.

- Aux États-Unis, l'installation doit respecter les exigences de l'autorité compétente ou, en l'absence de ces exigences, le National Fuel Gas Code, ANSI Z223.1/NFPA 54. Lorsque l'autorité compétente l'exige, l'installation doit respecter la norme pour Contrôles et dispositifs de sûreté pour chaudières à allumage automatique, ANSI/ASME CSD-1. L'éclairage d'accompagnement et d'autres critères de performances ont été respectés en ce qui concerne le collecteur de gaz et les commandes fournis sur la chaudière lorsque la chaudière a passé les tests indiqués dans la dernière édition de ANSI Z21.13.
- Au Canada, l'installation doit être conforme au code d'installation pour Gaz Naturel et Propane CGA B149.1 et/ou aux Règlements d'installation locales, des codes de plomberie et d'eaux usées, ainsi qu'à tous les autres codes applicables.
- S'assurer que les dégagements de la chaudière aux combustibles sont tenus et que le matériau combustible est protégé correctement.
- En aucun cas, les indications du fabricant n'auront de priorité sur les dispositions de la loi.

2. DONNÉES TECHNIQUES

2.1 PERFORMANCE

LUNA DUO-TEC 1.110		MAX.		MIN.
Chauffage Central		0-2 000 pi 0-610 m	2 000-4 500 pi 610-1 370 m	
Débit thermique (Total)	Btu/h	379,127	360,170	39,050
	kW	111.11	105.56	11.44
Puissance thermique (modulation)	Btu/h	348,038	330,978	36,885
	kW	102	97	10.8
Débit de Gaz A (Gaz Naturel)	pi ³ /h	377.34	360.42	39.11
	m ³ /h	10.69	10.21	1.11
Débit de Gaz E (GPL)	pi ³ /h	149.16	139.80	15.86
	m ³ /h	4.22	3.96	0.45
Temp. max. de l'eau du CC (Approx.)	°F	176		
	°C	80		

LUNA DUO-TEC 1.70		MAX.		MIN.
Chauffage Central		0-2 000 pi 0-610 m	2 000-4 500 pi 610-1 370 m	
Débit thermique (Total)	Btu/h	240,897	228,613	35,827
	kW	70.6	67.0	10.5
Puissance thermique (modulation)	Btu/h	216,330	205,411	32,074
	kW	63.4	60.2	9.4
Débit de Gaz A (Gaz Naturel)	pi ³ /h	242.59	228.22	35.90
	m ³ /h	6.87	6.46	1.01
Débit de Gaz E (GPL)	pi ³ /h	95.04	90.00	13.50
	m ³ /h	2.69	2.55	0.38
Temp. max. de l'eau du CC (Approx.)	°F	176		
	°C	80		

Type de gaz	Pression d'alimentation (fonctionnement)	
	Min	Max
Débit de Gaz A (Gaz Naturel)	3.5 po CE / 8.7 mbar	10.5 po CE / 26.0 mbar
Débit de Gaz E (GPL)	8.0 po CE / 20.0 mbar	13 po CE / 32.4 mbar

2.2 RÉGLAGES DES PARAMÈTRES POUR UNE ALTITUDE ÉLEVÉE

LUNA DUO-TEC 1.70	Gaz naturel (A) 17.4 mbar 7.0 po CE		GPL (E) 27.4 mbar 11.0 po CE	
	0 - 2000 pi 0 - 610 m	2000 - 4500 pi 610 – 1370 m	0 - 2000 pi 0 - 610 m	2000 - 4500 pi 610 – 1370 m
Vitesse max du ventilateur (tr/min) P17* - P18*	6400	6100	6100	5800
Vitesse min du ventilateur (tr/min) P19*	1600		1600	
Limite CO (ppm)	<400			

LUNA DUO-TEC 1.110	Gaz naturel (A) 17.4 mbar 7.0 po CE		GPL (E) 27.4 mbar 11.0 po CE	
	0 - 2000 pi 0 - 610 m	2000 - 4500 pi 610 – 1370 m	0 - 2000 pi 0 - 610 m	2000 - 4500 pi 610 – 1370 m
Vitesse max du ventilateur (tr/min) P17* - P18*	7300	7000	7100	6800
Vitesse min du ventilateur (tr/min) P19*	1200		1200	
Limite CO (ppm)	<400			

Vitesse d'allumage du ventilateur (P21*) = 3000 tr/min

* Pour modifier les vitesses du ventilateur, voir la section 11.4 RÉGLAGE DES PARAMÈTRES

AVIS

Au-dessus de 2000 ft (610 m), la chaudière déclassez de 4% pour chaque 1000 ft (305 m) de gain d'altitude.

2.3 SYSTÈME

LUNA DUO-TEC 1.70	
Chauffage central (Installation étanche)	
Pression max. de l'installation	50.00 psi / 3.44 bar
Pression min. de l'installation	7.25 psi / 0.50 bar
Température max. de l'installation	176 °F / 80 °C
Réglage de la soupape de surpression	50.00 psi / 3.44 bar
Connexion alimentation	1" /32.2 mm
Retour eau	1" /32.2 mm
Connexion de la soupape de surpression	3/4" /22.2 mm
Pression recommandée de l'installation (froide)	21.7 po / 1.5 bar

LUNA DUO-TEC 1.110	
Chauffage central (Installation étanche)	
Pression max. de l'installation	50.00 psi / 3.44 bar
Pression min. de l'installation	7.25 psi / 0.50 bar
Température max. de l'installation	185°F / 85°C
Réglage de la soupape de surpression	50.00 psi / 3.44 bar
Départ eau	1 1/2" /48.3 mm
Retour eau	1 1/2" /48.3 mm
Connexion de soupape de surpression	1" /32.2 mm
Pression recommandée de l'installation (froide)	21.7 po / 1.5 bar

Section INSTALLATEUR (fr)

2.4 COMPOSANTS PRINCIPAUX

LUNA DUO-TEC 1.70	
Brûleur	Acier inoxydable
Échangeur thermique principal	Acier inoxydable
Pompe	Grundfos UPER 25-78
Ventilateur	EBM PAPST NGR 137/2400
Vanne gaz	SIT 848 SIGMA
Capteur pour niveau d'eau bas	ELBI 784

LUNA DUO-TEC 1.110	
Brûleur	Acier inoxydable
Échangeur thermique principal	Acier inoxydable
Pompe	Grundfos UP 26-96 F
Ventilateur	EBM PAPST RG 148/1200
Vanne gaz	SIT 848 SIGMA
Capteur pour niveau d'eau bas	ELBI 784

2.5 INFORMATIONS GÉNÉRALES D'INSTALLATION

LUNA DUO-TEC 1.70		
Dimensions	Hauteur	30 1/16" / 763 mm
	Largeur	17 3/4" / 450 mm
	Profondeur	23" / 585 mm
Connexion de gaz		3/4"
Teneur en eau primaire		0.79 gal US / 3.60 l
Diamètre tuyau conduit de fumée concentrique		3 3/16" / 80 mm
Diamètre tuyau d'air concentrique		4 15/16" / 125 mm
Diamètre tuyau d'aération des fumées double		3 3/16" / 80 mm

LUNA DUO-TEC 1.110		
Dimensions	Hauteur	37 7/16" / 951 mm
	Largeur	23 5/8" / 600 mm
	Profondeur	25 3/8" / 644 mm
Connexion de gaz		1"
Teneur en eau primaire		4.62 gal US / 21.0 l
Diamètre tuyau conduit de fumée concentrique		4 3/8" / 110 mm
Diamètre tuyau d'air concentrique		6 5/16" / 160 mm
Diamètre tuyau d'aération des fumées double		4 3/8" / 110 mm

LUNA DUO-TEC 1.70		
Dégagements pour l'entretien minimums	Haut	11 13/16" / 300 mm
	Bas	9 7/8" / 250 mm
	Côtés	1 3/4" / 45 mm
	Avant	17 3/4" / 450 mm
Dimension du système d'évacuation concentrique		4 15/16" / 125 mm
Dimension du système d'évacuation à deux tuyaux		3 3/16" / 80 mm
Terminal de fumée en saillie		4 1/2" / 115 mm
Poids de levage		120.15 lb / 54.5 kg

LUNA DUO-TEC 1.110		
Dégagements pour l'entretien minimums	Haut	15 3/4" / 400 mm
	Bas	11 13/16" / 300 mm
	Côtés	1 3/4" / 45 mm
	Avant	17 3/4" / 450 mm
Dimension du système d'évacuation concentrique		6 5/16" / 160 mm
Dimension du système d'évacuation à deux tuyaux		4 3/8" / 110 mm
Terminal de fumée en saillie		4 1/2" / 115 mm
Poids de levage		215.6 lb / 98 kg

2.6 ÉLECTRIQUE

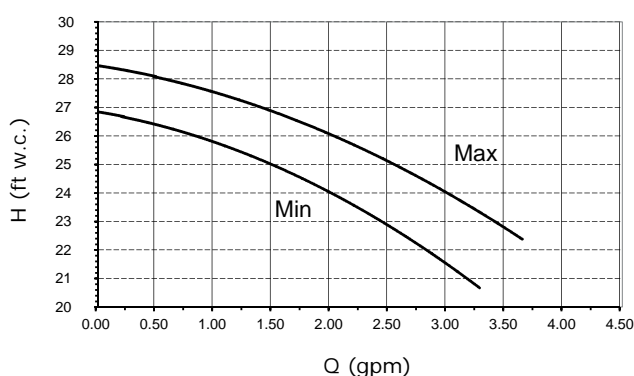
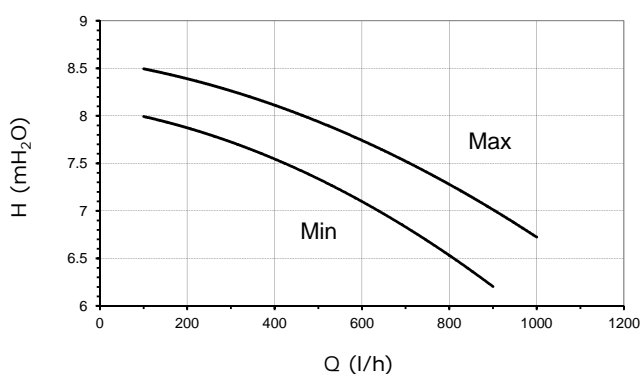
Alimentation	120 V - 60 Hz
Consommation d'énergie - LUNA DUO-TEC 1,110	376 W
Consommation d'énergie - LUNA DUO-TEC 1,70	183 W
Fusible Interne (N°2)	F1=6.3 A / F2=2.0 A

2.7 HAUTEUR D'ÉLEVATION DISPONIBLE POUR LE CHAUFFAGE CENTRAL

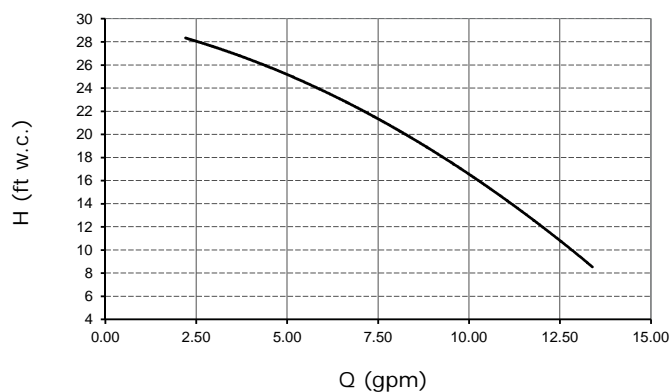
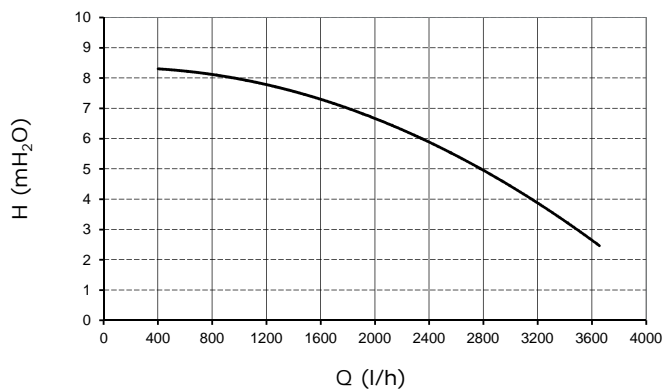
C'est une pompe à hauteur statique élevée pour une installation sur tout type de systèmes de chauffage à tuyau simple ou double. La vanne d'air automatique incorporée dans la pompe permet une purge de l'air rapide du système de chauffage.

Q	DÉBIT	MIN	Vitesse de modulation minimale
H	HAUTEUR MANOMÉTRIQUE	MAX	Vitesse de modulation maximale

LUNA DUO-TEC 1.70



LUNA DUO-TEC 1.110



ATTENTION

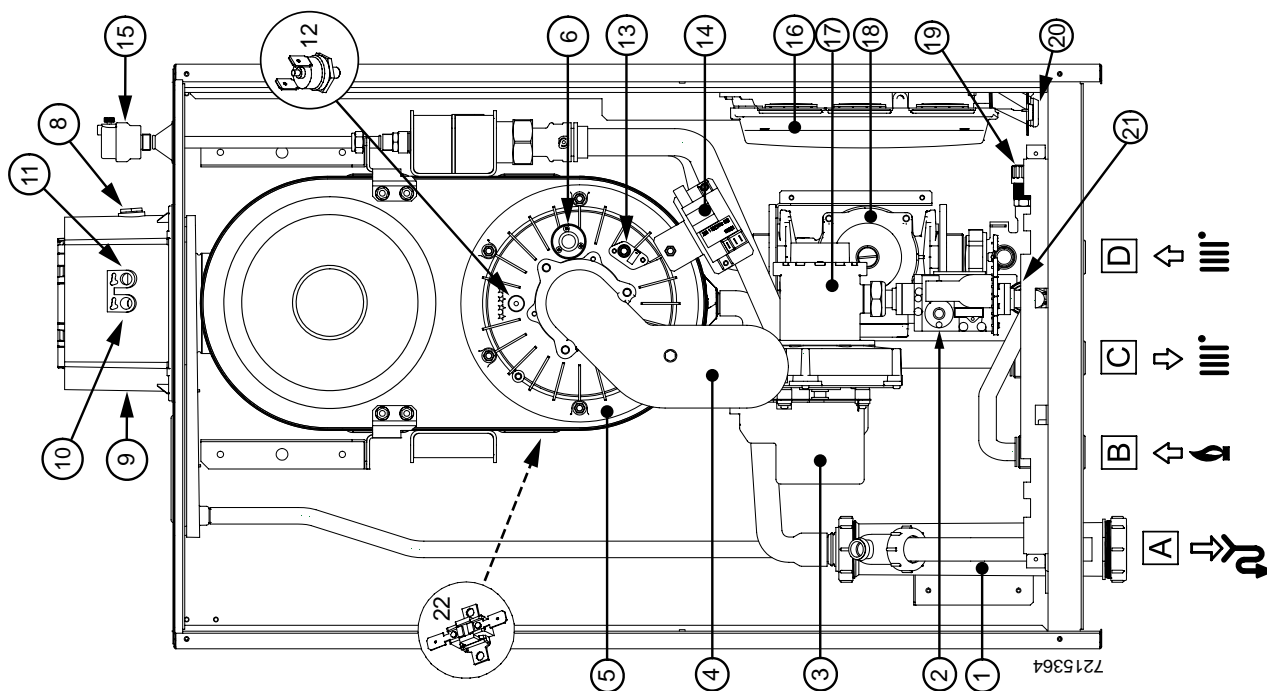
Il est recommandé de dimensionner l'Installation de Chauffage pour assurer un débit d'eau minimum d'au moins 4.4 gpm (1000 l/h).

Section INSTALLATEUR (fr)

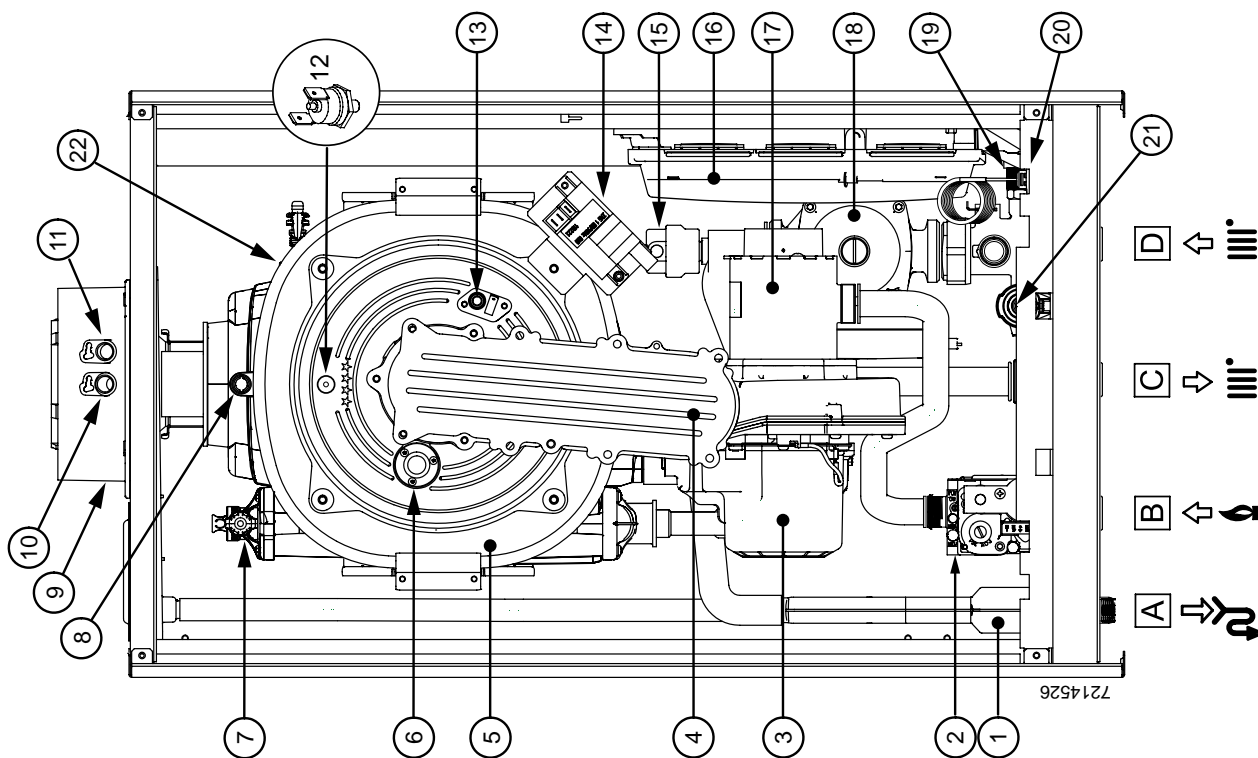
2.8 SCHÉMA DE LA CHAUDIÈRE

- Lors de la demande de chauffage, la pompe fait circuler l'eau dans le circuit primaire.
- Le ventilateur de combustion s'allumera et commencera à fonctionner à la vitesse d'allumage.
- Une fois que le ventilateur atteint sa vitesse d'allumage, le tableau de commande fournira de la puissance pour alimenter l'allumeur et la vanne gaz, qui créeront un allumage dans la chambre de combustion. Le détecteur de flamme reconnaîtra la présence d'une flamme dans la chambre de combustion et enverra un signal au tableau de commande.
- La sonde de température enverra un signal au tableau de commande, en lui permettant ainsi d'augmenter / diminuer la vitesse du ventilateur. Le ventilateur de combustion pourra à son tour moduler le débit de gaz en conséquence.
- Une fois que la température de chauffage central en boucle dépasse le point de consigne du chauffage central en boucle, l'appareil s'arrêtera et passera par un réglage de temporisation de 3 minutes (temps de pause du brûleur), avant un autre appel à la chaleur.
- Pendant ce temps, la pompe fonctionnera pendant une période supplémentaire de trois minutes, afin de dissiper toute chaleur résiduelle.

LUNA DUO-TEC 1.110



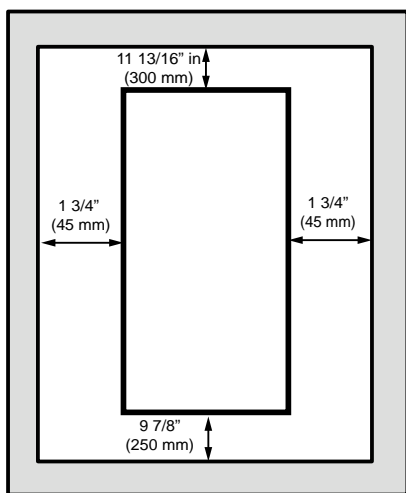
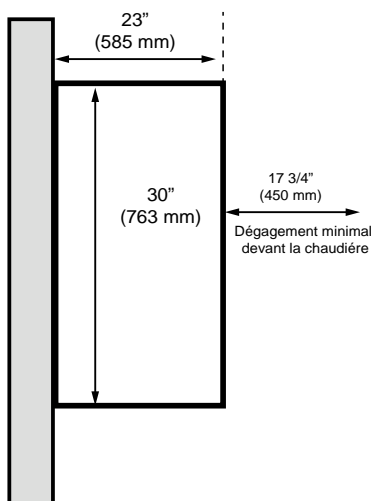
LUNA DUO-TEC 1.170



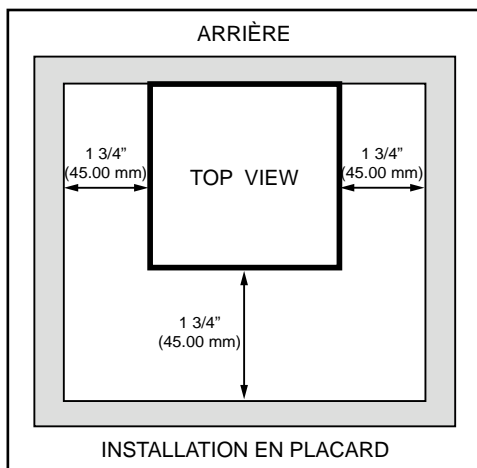
	1.70	1.110
1	Purgeur de condensat	Purgeur de condensat
2	Vanne gaz	Vanne gaz
3	Ventilateur	Ventilateur
4	Collecteur air/gaz	Collecteur air/gaz
5	Échangeur primaire	Échangeur primaire
6	Indicateur de niveau du brûleur	Indicateur de niveau du brûleur
7	Prise d'air manuelle	-
8	Sonde fumées	Sonde fumées
9	Connecteur coaxial du conduit de fumée	Connecteur coaxial du conduit de fumée
10	Port de test du gaz de fumée	Port de test du gaz de fumée
11	Port de test de l'air comburant	Port de test de l'air comburant
12	Limite supérieure de la bride de l'échangeur	Limite supérieure de la bride de l'échangeur
13	Électrode de détection de flamme/allumage	Électrode de détection de flamme/allumage
14	Allumeur	Allumeur
15	Prise d'air automatique	Prise d'air automatique
16	Boîte du tableau de commande auxiliaire	Boîte du tableau de commande auxiliaire
17	Mélangeur air/gaz	Mélangeur air/gaz
18	Pompe	Pompe
19	Évacuation chaudière	Évacuation chaudière
20	Manomètre	Manomètre
21	Capteur pour niveau d'eau bas	Capteur pour niveau d'eau bas
22	Fusible thermique	Fusible thermique (arrière)
A	Évacuation du purgeur de condensat	Évacuation du purgeur de condensat
B	Connexion d'entrée gaz	Connexion d'entrée gaz
C	Connexion alimentation chauffage	Connexion alimentation chauffage
D	Connexion retour chauffage	Connexion retour chauffage

3. INFORMATIONS GÉNÉRALES SUR LA CHAUDIÈRE DÉGAGEMENTS POUR L'ENTRETIEN

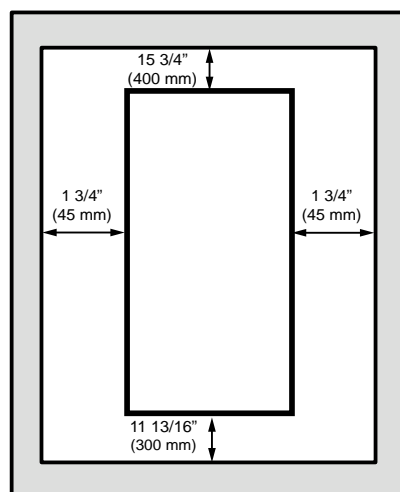
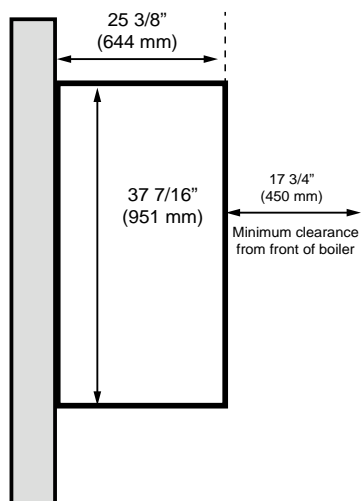
Modèle 1.70



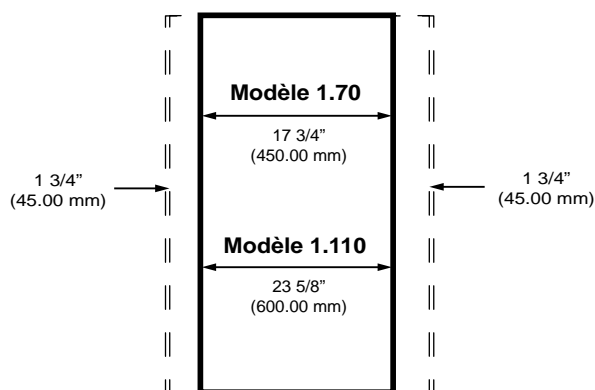
**DÉGAGEMENTS REQUIS POUR
INSTALLATION EN PLACARD**



Modèle 1.110



**DÉGAGEMENTS POUR
COMBUSTIBLES**



0 in / 0 mm entre l'arrière de l'unité et le mur



AVERTISSEMENT

- Nous recommandons de considérer les dégagements pour l'entretien lorsque vous localisez une zone appropriée pour l'unité.
- La chaudière ne doit pas être installée sur une moquette.
- Garder la zone de la chaudière libre de vapeurs et de liquides inflammables.

3.1 SÉLECTION DE L'EMPLACEMENT DE LA CHAUDIÈRE

1. Vérifier la zone d'installation pour des branchements propres :
 - De la tuyauterie d'eau de l'installation
 - Des connexions de ventilation
 - De la tuyauterie d'alimentation en gaz
 - De l'alimentation électrique
2. Vérifier la zone autour de la chaudière ; enlever tous les matériaux combustibles, l'essence et tous autres liquides inflammables.
3. S'assurer que les composants du système de commande du gaz de la chaudière sont protégés contre les éclaboussures et les vaporisations d'eau.



AVERTISSEMENT

La présence à proximité de la chaudière de matériaux combustibles, d'essence ainsi que de tous autres liquides ou de vapeurs inflammables peut entraîner la mort ou de graves blessures, ainsi que d'importants dommages matériels.

3.2 EMBLACEMENT DE LA CHAUDIÈRE

- Décider l'emplacement de la chaudière en tenant compte des dégagements requis pour l'entretien et la position du terminal de fumée.



AVERTISSEMENT

Déplacer tous les matériaux combustibles, l'essence et tous autres liquides inflammables loin des tuyaux d'eau chaude.

- Attacher le gabarit au mur, s'assurer qu'il est à niveau et vertical et marquer la position des trous pour les boulons de suspension et les raccordements de plomberie de la chaudière. Si la sortie arrière du conduit de fumée doit être utilisée, marquer la position du trou pour ce dernier.
- Si l'unité se terminera horizontalement, continuer de marquer l'axe horizontal du conduit de fumée à travers le mur jusqu'au mur latéral, puis sur le côté latéral du mur en s'assurant que les lignes sont au même niveau. Cela donnera la position du centre du trou pour le conduit de fumée.
- Couper un trou de 5 5/16" / 135.00 mm de diamètre dans le mur pour le conduit de fumée concentrique pour le modèle 1.70 et un trou de 11/16" / 170.00 mm de diamètre dans le mur pour le conduit de fumée concentrique pour le modèle 1.110.

3.3 MONTAGE DE LA CHAUDIÈRE

- Soulever la chaudière et l'accrocher au mur.
- Ajuster la position de la chaudière ; s'assurer qu'elle est à niveau.

3.4 RINÇAGE DE L'INSTALLATION

Le système doit être nettoyé et rincé conformément aux bonnes pratiques d'installation. La garantie pourrait devenir nulle et non avenue si le système n'est pas rincé et/ou si la qualité de l'eau est inappropriée. Il est obligatoire de vérifier la qualité de l'eau d'un système de chauffage central tous les six mois, en particulier si de l'eau est rajoutée régulièrement. Si l'eau a été traitée, le fournisseur du produit de traitement de l'eau peut être consulté. L'utilisateur du système est responsable de s'assurer constamment de la bonne qualité de l'eau du système. Si l'utilisateur souhaite obtenir cette qualité de l'eau à l'aide de systèmes de traitement de l'eau, ce sera également sa responsabilité.

- Pour enlever les sédiments, rincer soigneusement l'ensemble de l'installation (chaudière non connectée). L'accumulation de corrosion engendrée par les sédiments pourrait endommager l'échangeur thermique à haut rendement.

Remarque :

il est recommandé d'utiliser un produit de traitement d'eau pour enlever les sédiments.

- Pour les installations réparties en zones, rincer chaque zone séparément au moyen d'un robinet de purge. Si l'installation n'est pas équipée de robinets d'isolement ou de robinets de purge, les monter afin de bien nettoyer l'installation.
- Rincer l'installation jusqu'à ce que l'eau coule propre et être certains d'avoir éliminé tous les sédiments.

ATTENTION

Lors de la purge des systèmes incluant des radiateurs en fonte et les installations avec des purgeurs manuels situés en hauteur, commencer avec la prise d'air la plus proche, l'ouvrir jusqu'à ce que de l'eau s'écoule, puis la fermer. Répéter cette procédure, en se déplaçant vers la prise d'air la plus éloignée. Installer un filtre à panier dans les installations plus anciennes s'il y a une grande quantité de sédiments. Le filtre devra être vidé et nettoyé une fois par an.

AVERTISSEMENT

Ne jamais utiliser de produits de nettoyage ou d'étanchéification à base de pétrole dans l'installation de la chaudière. Il peut arriver que les joints en élastomère soient endommagés, entraînant des dégâts matériels importants. NE PAS remplir avec de l'eau adoucie ; cela pourrait entraîner la corrosion de la chaudière.

3.5 ALIMENTATION EN GAZ

LUNA DUO-TEC 1.70 nécessite un débit de gaz de **242.59 pi³/h (6.87 m³/h)** pour le gaz naturel (Gaz A) et **95.04 pi³/h (2.69 m³/h)** pour le GPL (Gaz E).

LUNA DUO-TEC 1.110 nécessite un débit de gaz de **377.34 pi³/h (10.69 m³/h)** pour le gaz naturel (Gaz A) et **149.16 pi³/h (4.22 m³/h)** pour le GPL (Gaz E).

Le compteur et les tuyaux d'alimentation doivent être en mesure de livrer cette quantité de gaz en plus de la demande de tous autres appareils dans la maison. Luna DUO-TEC 1.70 exige au moins une conduite d'alimentation en gaz de **3/4"/19.5 mm** et Luna DUO-TEC 1.110 exige au moins une conduite d'alimentation en gaz de **1"/25.4 mm**.

AVERTISSEMENT

Avant de mettre la chaudière en service, la chaudière et ses raccords au gaz devront faire l'objet d'un essai d'étanchéité.

3.6 ALIMENTATION ÉLECTRIQUE

La chaudière nécessite une alimentation électrique de 120 V, 60 Hz. S'assurer que l'alimentation électrique est polarisée.

La chaudière doit être mise à la terre sur un circuit spécialisé.

Installer seulement un isolateur commun, assurant la complète isolation électrique à la chaudière et aux autres contrôles externes. Au moyen d'un câble isolé en PVC 18 AWGx3C 221°F (105 °C).

Toutes les connexions électriques doivent être installées selon les dispositions du Code Électrique National (C.É.N.), ainsi que selon les dispositions de tout autre code local, provincial ou national applicables. Tous les câbles doivent être de la Classe 1 du C.É.N. La mise à terre de la chaudière est obligatoire conformément au C.É.N, ANSI/NFPA n° 70, dernière édition.

Au Canada, l'installation doit se conformer au Code électrique canadien CSA C22.1, partie 1, ainsi qu'à tous les autres codes locaux.

3.6.1 Installation du thermostat d'ambiance

Installer le thermostat d'ambiance sur un mur interne ; ne jamais l'installer dans un endroit où il y a des courants d'air, des tuyaux d'eau chaude ou d'eau froide, des accessoires d'éclairage, un téléviseur, une cheminée ou sous les rayons du soleil.

3.7 ALIMENTATION EN AIR

La chaudière ne nécessite d'aucun ventilateur d'air à l'endroit où elle est installée, ou lorsqu'elle est installée dans un débarras ou dans une niche.

3.8 MODE DE PROTECTION CONTRE LE GEL

Le mode de protection contre le gel est intégré à l'appareil et peut s'activer si le mode eau chaude sanitaire ou chauffage sont allumés. Si la température descend au-dessous de 39.2°F/4.0°C, la chaudière démarre au réglage minimum jusqu'à atteindre une température de départ de 86°F/30°C.

3.9 PROTECTION CONTRE LE BLOCAGE

La pompe se met automatiquement à fonctionner pendant 1 minute toutes les 24 heures pour éviter les risques de blocage.

3.10 TUYAUTERIE DE GAZ

La tuyauterie en alimentation en gaz doit être installée conformément aux codes applicables.

Localiser et installer la vanne d'arrêt manuelle avant la vanne de gaz comme indiqué dans la section 3 : « INFORMATIONS GÉNÉRALES SUR LA CHAUDIÈRE », conformément aux exigences nationales et locales.

AVERTISSEMENT

Un dispositif de décantation doit être installé en amont des commandes de gaz.

4. SYSTÈME DE VENTILATION

GÉNÉRAL

- Installer le système de ventilation de la chaudière conformément aux instructions suivantes, ainsi qu'aux exigences du « National Fuel Gas Code », ANSI Z223.1/NFPA 54, CAN/CSA B149.1, et/ou aux exigences applicables des codes du bâtiment locaux.
- Cette chaudière est un appareil à ventilation directe et la catégorie IV selon la norme ANSI Z21.13 / CSA4.9.

BOUCHE D'ÉCHAPPEMENT ET BOUCHE D'ENTRÉE D'AIR

Les méthodes de ventilation d'échappement et d'entrée sont détaillées dans ce manuel. Ne pas essayer d'installer la chaudière d'une autre manière. S'assurer de placer la chaudière telle que la prise d'air et la tuyauterie de ventilation d'échappement puissent être acheminées à travers le bâtiment et correctement terminées.



DANGER

S'assurer que la tuyauterie d'échappement est conforme aux présentes instructions sur le système de ventilation. Inspecter soigneusement la tuyauterie d'échappement, afin de s'assurer que tous les joints sont parfaitement sécurisés et étanches à l'air, ainsi que conformes aux exigences du code local et des directives fournies dans le présent manuel. Une installation du système de ventilation non conforme peut entraîner de graves blessures ou la mort.



AVERTISSEMENT

Ce système de ventilation fonctionnera avec une pression positive dans le tuyau. Ne pas raccorder de connecteurs de ventilation qui sont reliés aux appareils ventilés par tirage naturel dans aucune partie du système à tirage mécanique opérant sous pression positive. Suivre attentivement les instructions de ventilation fournies ci-après. Toute installation non conforme peut entraîner de graves blessures, la mort ou d'importants dommages matériels.

Ne pas utiliser un tuyau à couche centrale en mousse ou en mousse cellulaire dans aucune partie du conduit d'échappement de cette chaudière. L'utilisation du tuyau à âme centrale en mousse ou en mousse cellulaire peut entraîner de graves blessures, la mort ou d'importants dommages matériels.

• Choisir l'emplacement de la ventilation d'échappement :

- a) Se référer à l'illustration de la section 4.1.4 : Emplacement du terminal de fumée pour déterminer les dégagements pour le terminal de fumée.
- b) Prévoir un dégagement minimal de 1 pi/0.30 m aux États-Unis et 3.00 pi/0.92 m au Canada de toute porte et fenêtre ouvrante.
- c) Prévoir un dégagement minimal de 1.00 pi/0.30 m du bas de l'échappement au-dessus du niveau de sol (le déneigement peut être nécessaire afin de maintenir un dégagement adéquat).
- d) Prévoir un dégagement horizontal de 3.00 pi/0.92 m des compteurs électriques, des compteurs ou des régulateurs de gaz et des équipements de sécurité. Le terminal de sortie ne doit en aucun cas se trouver au-dessus ou en dessous de l'un des équipements susmentionnés à moins que la distance horizontale de 3.00 pi/0.92 m soit maintenue à moins que le terminal de sortie ne soit à un minimum de 15 pi/4.6 m au-dessus de l'équipement susmentionné.
- e) Ne pas installer la bouche d'échappement au-dessus d'une voie ouverte au public sur laquelle les condensats pourraient s'écouler et/ou geler et être une source de nuisance et de danger.
- f) Si la bouche doit être à proximité d'une voie ouverte au public, le terminal de sortie devra être situé à au moins 7 pi / 2.13 m du niveau du sol.
- g) Ne pas placer de bouche d'échappement directement sous les débords de toiture, afin d'empêcher la formation de glaçons.
- h) Prévoir un dégagement de 6" / 152 mm à partir de l'angle rentrant des murs verticaux, des cheminées, etc., ainsi que des angles horizontaux créés par les débords de toiture.

• Choisir l'emplacement de la bouche d'entrée d'air.

- a) Prévoir un dégagement de 1 pi / 0.30 m depuis le bas de la bouche d'entrée d'air et le niveau du sol.
- b) Ne pas placer la bouche d'entrée d'air dans une aire de stationnement où le tuyau pourrait être endommagé par de la machinerie.
- c) Lors de l'utilisation d'une installation de ventilation à deux tuyaux, prévoir une distance minimale entre la bouche d'entrée d'air et celle d'échappement sur une seule chaudière de 4 3/4" / 120.00 mm du centre au centre.

INSTALLATION DE LA BOUCHE D'ÉCHAPPEMENT ET DE LA BOUCHE D'ENTRÉE D'AIR



DANGER

S'assurer qu'il n'y a pas d'obstructions et que l'air comburant et l'air de ventilation circulent librement. BAXI exhorte les utilisateurs à installer des détecteurs de CO2 dans les bâtiments où la chaudière est située, même si de tels détecteurs ne sont pas exigés par la loi locale. Les détecteurs de CO2 doivent être calibrés régulièrement comme indiqué par le fabricant.

Remarque :

Pour fixer le tuyau à fumée au mur, les supports doivent se trouver à environ 39 pieds et 3/8 pouces / 1 mètre les uns des autres. Les supports doivent être fixés le long du point de jonction de chaque tuyau.

Section INSTALLATEUR (FR)

4.1 INSTRUCTIONS DE VENTILATION

i AVIS

Lire attentivement les instructions de ventilation indiquées dans ce manuel et celles fournies par le fabricant de la ventilation, en cas d'incohérences respecter les instructions de ventilation de ce manuel.

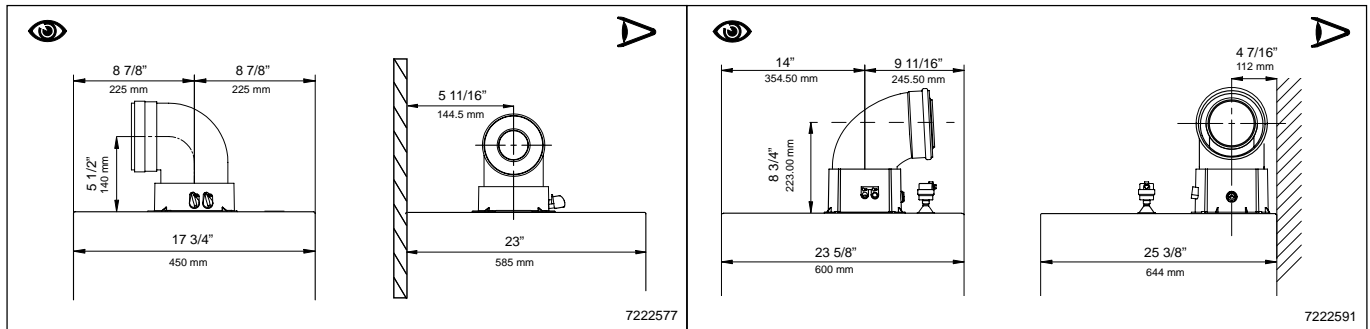
4.1.1 Ventilation concentrique

Le coude de 90° permet de raccorder la chaudière au terminal de ventilation indépendamment de leur direction, puisqu'il peut être pivoté à 360°. Il peut également être utilisé pour connecter le conduit avec un coude à 45°.

Coude de 45°	9 13/16" / 0.25 m
Coude de 90°	19 11/16" / 0.50 m

LUNA DUO-TEC 1.70

LUNA DUO-TEC 1.110



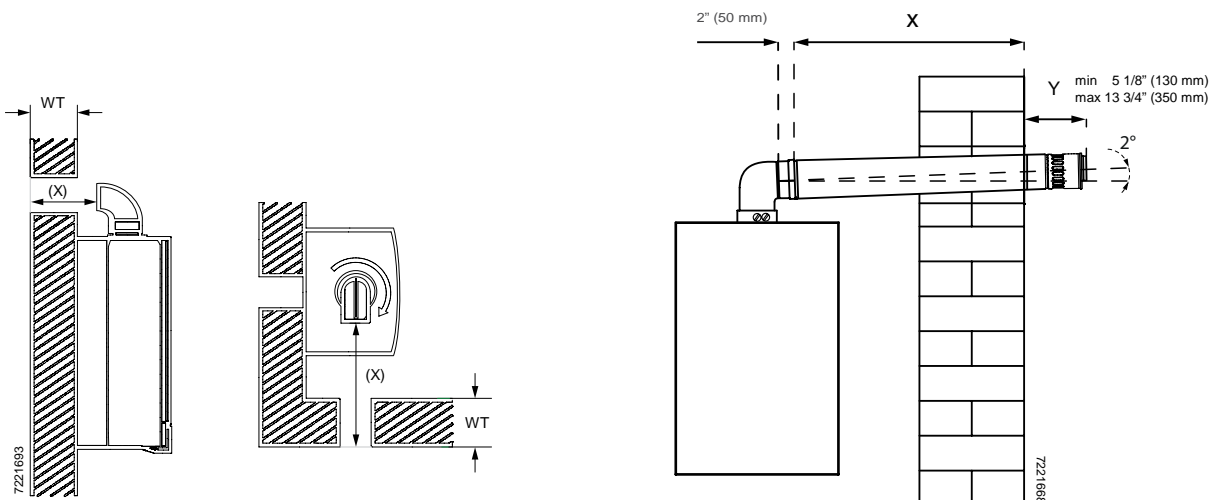
- Examiner tous les composants pour tout éventuel dommage de livraison, avant l'installation.
- Ce système de ventilation doit être libre pour se dilater et se contracter.
- Le système de ventilation doit être soutenu conformément aux présentes instructions.
- Le système de ventilation doit avoir un mouvement sans restriction à travers les murs, les plafonds et les pénétrations dans le toit.
- Vérifier la construction de joint appropriée lors de l'adhésion de tuyau aux raccords.
- Si la ventilation pénètre des plafonds et des sols, les ouvertures doivent avoir un moyen de compartimentage dans les solives et des coupes-feu installés.
- Un solin de toit Baxi est disponible comme accessoire. Des méthodes standard de chaperon de toiture devraient être employées pour installer des chaperons de toiture.
- Les ouvertures de mur et de toit doivent être encadrées de manière à fournir un soutien et l'attachement des assemblages de terminaison.

Remarque :

Le manuel utilise les termes « ventilation » et « conduit de fumée » de façon interchangeable. Toute référence à « conduit de fumée » est synonyme de « ventilation ».

! AVERTISSEMENT

Assurer une inclinaison minimale vers le bas de 1.97 po / 5.00 cm pour chaque 39 3/8" / 1.00 m de longueur de conduit vers la chaudière.



EP : Épaisseur de Paroi

AVERTISSEMENT

Toute la ventilation concentrique doit être attachée ensemble avec des vis.

AVIS

La ventilation à double conduit de fumée ne doit pas être attachée ensemble avec des vis; cette procédure s'applique uniquement à la ventilation concentrique.

Pour des conduits à fumée horizontaux, une déviation mineure par rapport à la direction horizontale est permise, pourvu que la déviation résulte dans une inclinaison vers le bas en direction de la chaudière.
Pour le terminal à fumée vertical, se référer aux instructions d'installation fournies séparément avec l'équipement.

En aucun cas, y compris les marges de tolérance pour les coudes supplémentaires, la longueur du conduit de fumée ne doit dépasser 32' 9 5/8" / 10.00 mètres.

- Placer le coude du conduit de fumée en haut de la chaudière et orienter le coude selon l'orientation désirée (en arrière, à droite ou à gauche).
- Mesurer la distance entre le bord extérieur du mur et le coude. Cette dimension sera indiquée par la lettre « X ».
- ajouter la distance "Y" + 2" (5.80 cm) à "X", c'est la dimension totale des ventilations.
- Marquer la dimension ci-dessus sur la prise d'aire extérieure en aluminium. Mesurer la longueur des déchets, et transférer la dimension au conduit de fumée intérieur gris.
- Enlever les déchets des deux ventilations (conduits d'air et de fumée). S'assurer que les extrémités coupées sont bien à l'équerre et sans bavures.
- Insérer le conduit de fumée dans la prise d'air et enfiler l'ensemble à travers le trou percé dans le mur.

AVERTISSEMENT

- Vérifier toutes les dimensions avant de couper. Le dégagement des matériaux combustibles est égal à zéro lorsqu'on utilise un système de ventilation concentrique.
- Après l'installation des conduits, s'assurer qu'il n'y a pas de recirculation de la combustion, à l'aide d'un analyseur calibré régulièrement.
- Assurer une inclinaison minimale vers le bas de 1.97 po / 5.00 cm pour chaque 39 3/8" / 1.00 m de longueur de conduit vers la chaudière.
- S'assurer que le terminal est positionné avec les fentes vers le bas.

Support de ventilation concentrique

Toute ventilation doit être supportée tous les 39 po (1 m) au moyen d'un collier fixe.

A : cerclage métallique ou l'équivalent



Options pour le conduit de fumée

- La chaudière peut être équipée des conduits de fumée illustrés ci-contre.
- Le terminal horizontal de fumée convient seulement pour les applications horizontales.
- Les longueurs équivalentes maximales permises pour le conduit de fumée sont les suivantes :

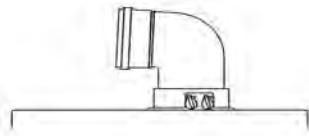
Ventilation concentrique = 32' 9 5/8" / 10.00 m

- Il faut prendre en compte les coudes additionnels montés « en ligne » dans le conduit de fumée.

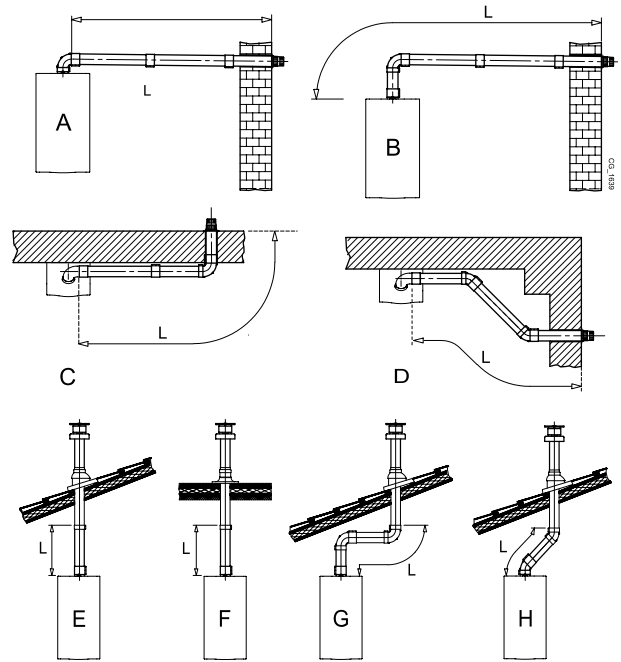
Coude de 45°	19 11/16" / 0.50 m
Coude de 90°	39 3/8" / 1.00 m

Le premier coude dans un conduit horizontal n'est pas pris en compte dans les calculs de longueurs équivalentes.

- Les illustrations ci-après sont des exemples de longueurs maximales équivalentes.
- Les instructions d'installation pour les raccords sont incluses dans chaque paquet de raccords.

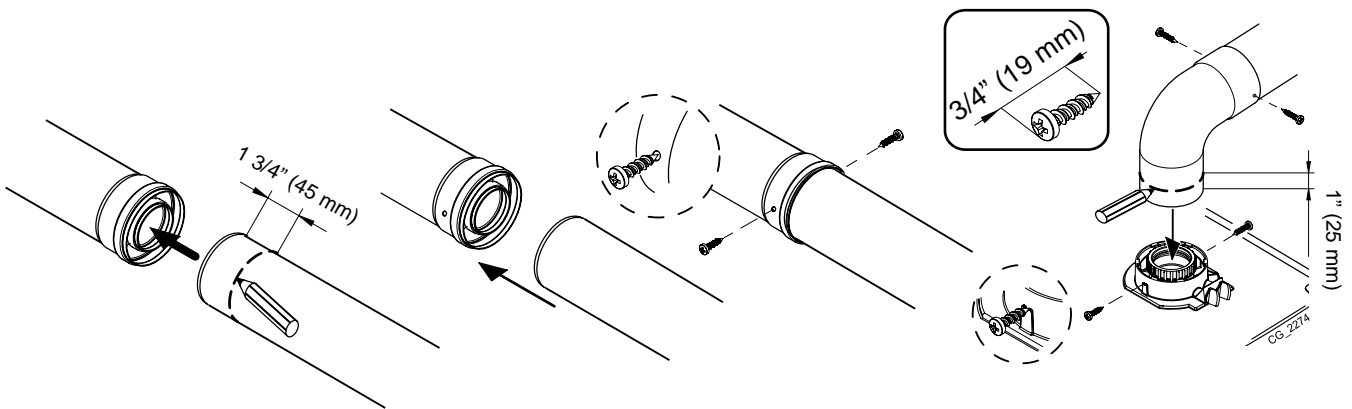


	L MAX
AB	32' 9 5/8" / 10 m
CD	29' 6" / 9 m
EF	32' 9 5/8" / 10 m
G	26' 3" / 8 m
H	29' 6" / 9 m



Emplacement de la ventilation concentrique à vis

Deux vis doivent être fixées à travers le tuyau d'entrée extérieure à l'arrière des joints d'étanchéité, et à des distances égales, approximativement 180° entre eux. À noter que les vis utilisées ne doivent pas être d'une largeur supérieure aux vis de métal N° 8 - 1/2 et elles doivent être recouvertes de zinc. La longueur de ces vis doit être de 0,75 po (19,00 mm). Si les vis ne sont pas fournies par le fabricant de ventilation avec les produits de ventilation, vous devez fixer ensemble les tuyaux à l'aide de vis avec les mêmes caractéristiques trouvées dans le marché local.



AVERTISSEMENT

Avant de fixer les vis, s'assurer que le tuyau a été poussé dans l'extrémité de joint d'étanchéité de l'autre tuyau, d'un minimum de 1 3/4" (45 mm).

AVIS

Pour insérer les tuyaux de ventilation, n'utiliser que la graisse de silicone fournie avec les tuyaux d'échappement. La graisse de silicone doit seulement être utilisée sur le plus petit joint des tuyaux d'échappement. Ne pas utiliser d'autres types de graisse et ne pas appliquer sur le plus grand joint.

4.1.2 Système Baxi en polypropylène à deux tuyaux

Ce type de ventilation permet aux tuyaux d'évacuation d'être séparés les uns des autres. L'air frais peut être admis à une zone différente de celle où le terminal de fumée est situé.

Le kit de séparation contient un adaptateur et un adaptateur de prise d'air.

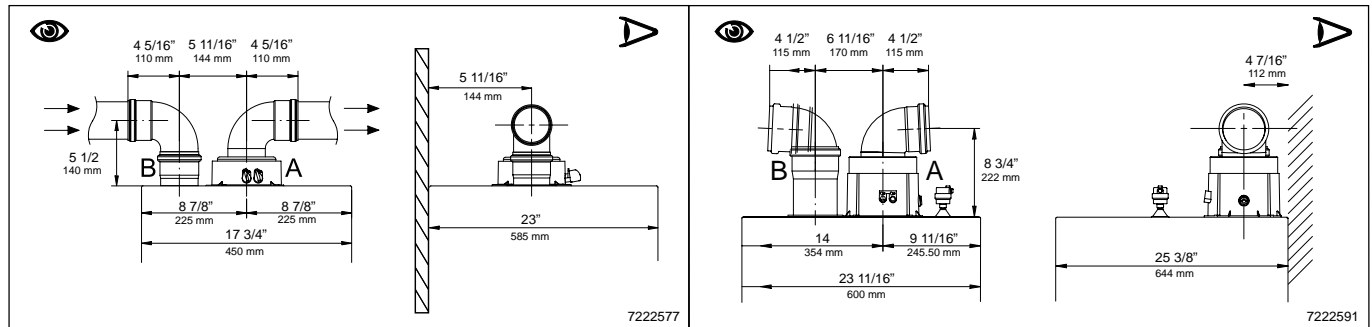
Pour l'adaptateur du conduit d'air, utiliser les vis et les joints précédemment retirés de l'embout.

Le coude de 90° permet de raccorder la chaudière au terminal de ventilation indépendamment de leur direction, puisqu'il peut être pivoté à 360°. Il peut également être utilisé pour connecter le conduit avec un coude à 45°.

Coude de 45°	9 13/16" / 0.25 m
Coude de 90°	19 11/16" / 0.50 m

LUNA DUO-TEC 1.70

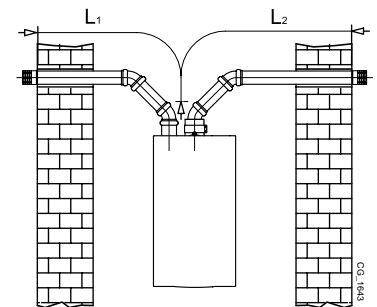
LUNA DUO-TEC 1.110



Options pour l'installation de terminaux de fumée horizontaux séparés

La longueur maximale du conduit d'aspiration (L1) ne peut pas dépasser 49' 1/4" / 15.00 m pour LUNA DUO-TEC 1.70 et 32' 9 5/8" / 15.00 m pour LUNA DUO-TEC 1.110.

- (L1 + L2) max = 147' 5/8" / 45.00 m pour LUNA DUO-TEC 1.70
- (L1 + L2) max = 131' 1/4" / 40.00 m pour LUNA DUO-TEC 1.110



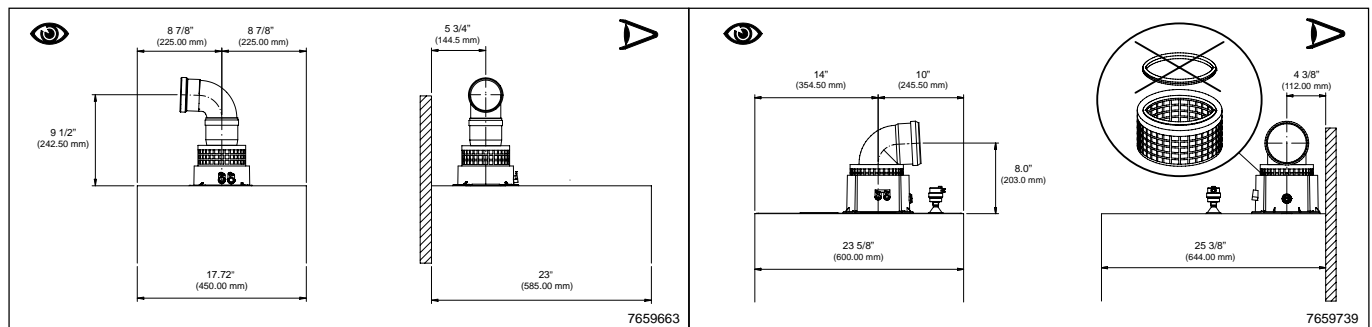
⚠ AVERTISSEMENT

Assurer une inclinaison minimale vers le bas de 1.97 po / 5.00 cm pour chaque 39 3/8" / 1.00 m de longueur de conduit vers la chaudière.

Baxi polypropylène système à tube unique (Ventilation de puissance)

LUNA DUO-TEC 1.70

LUNA DUO-TEC 1.110



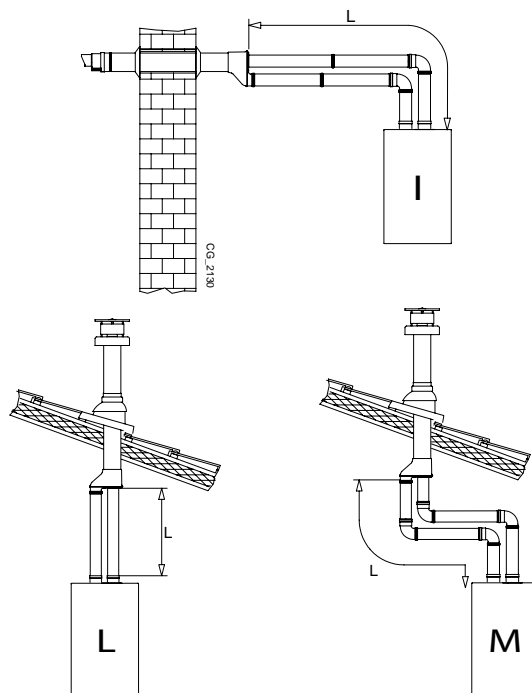
- L1 = 0
- L2 max = 147' 5/8" / 45.00 m for LUNA DUO-TEC 1.70
- L2 max = 131' 1/4" / 40.00 m for LUNA DUO-TEC 1.110

⚠ AVERTISSEMENT

Pour LUNA DUO-TEC 1.110 retirer le joint comme montré dans le dessin.

Terminaux de fumée séparés

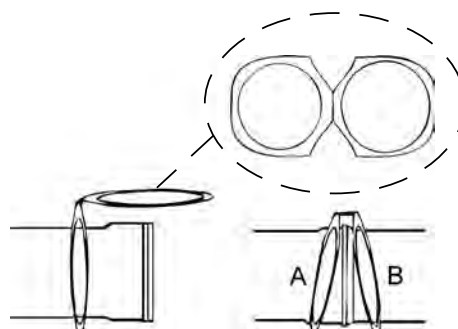
	LUNA DUO-TEC 1.70	LUNA DUO-TEC 1.110
I	L max = 32' 3 3/8" / 10 m	L max = 32' 3 3/8" / 10 m
L	L max = 32' 3 3/8" / 10 m	L max = 32' 3 3/8" / 10 m
M	L max = 29' 6" / 9 m	L max = 29' 6" / 9 m



Instructions pour les pinces à ressorts

Baxi exige l'utilisation d'une pince à ressort pour chaque raccord de joint instantané en cas d'utilisation de leur ventilation en polypropylène. Merci de suivre les instructions ci-dessous pour l'utilisation des pinces à ressorts :

- Prendre le collier Baxi pour le conduit à fumée double, ayant le plus grand trou, et le placer sur l'extrémité mâle du tuyau.
- Glisser le collier tout au long du tuyau avec la plus petite ouverture du collier vers l'extrémité femelle du tuyau
- Courber le collier sur l'extrémité femelle du tuyau « A » et glisser l'extrémité mâle du tuyau « B » à travers le collier ainsi que l'extrémité femelle du tuyau « A ».



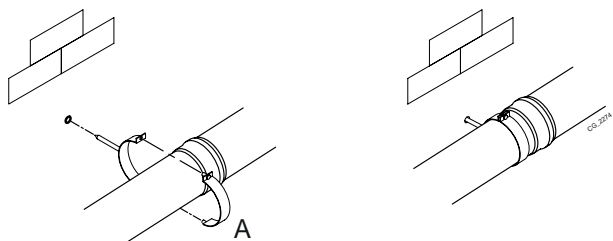
i AVIS

Collier nécessaire pour le tuyau à fumée double Baxi. Le collier à ressort pour le conduit à fumée double est utilisé seulement à l'intérieur et ne doit pas être utilisé pour des applications extérieures.

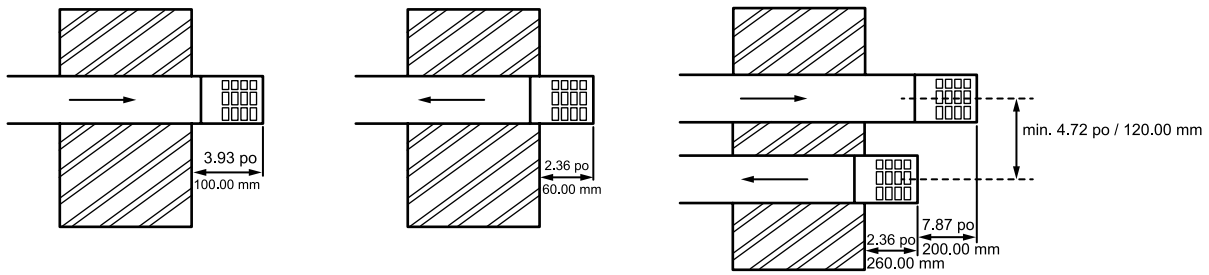
Support pour ventilation à deux tuyaux

Toute ventilation doit être supportée tous les 39 po (1 m) au moyen d'un collier fixe.

A : cerclage métallique ou l'équivalent



Distances minimales terminaux de fumée séparés



(*) accessoires fournis par le fabricant de la chaudière

4.1.3 Matériel de ventilation d'autres fabricants approuvé

Nous recommandons que la chaudière à condensation soit ventilée à l'aide du matériel de ventilation en polypropylène du fabricant. Cela peut être une ventilation coaxiale ou un système de ventilation à deux tuyaux rigides. En cas d'utilisation d'une ventilation d'un autre fabricant, utiliser seulement les matériaux indiqués ci-dessous pour le tuyau de ventilation, le tuyau d'admission d'air et les raccords. Le non-respect de cette consigne pourrait être la cause d'accidents corporels graves, voire mortels, et/ou de dommages matériels et pourrait annuler la garantie de la chaudière. Les installations doivent respecter les exigences du code local et de U.S.ANSI Z223.1 aux États-Unis et CSA B149.1 au Canada.



AVERTISSEMENT

**NE PAS UTILISER DE TUYAU À ÂME CELLULAIRE
UNIQUEMENT DES TUYAUX DE 3 po / 80 mm SONT PERMIS
UNIQUEMENT DES TUYAUX DE 4 po / 100 mm SONT PERMIS**

Lors de l'utilisation de matériel de ventilation autre que ce fourni par le fabricant de la chaudière, suivre la procédure d'installation correcte.



AVERTISSEMENT

Toute ventilation doit être bien supportée. Les chaudières ne sont pas destinées à soutenir n'importe quel type de système de ventilation. Tous les conduits, colles, solvants, produits pour le nettoyage, raccords et composants doivent être conformes aux normes ASTM et ANSI.

Remarque : Au Canada, le seul système de ventilation approuvé pour être utilisé comme une alternative à la ventilation Baxi en polypropylène pour le tuyau de ventilation est l'ULC S636 classe 40 CPVC et aux États-Unis l'UL 1738 classe 40 CPVC. Au Canada, utiliser ULC S636 et aux États-Unis UL 1738 classe 40 CPVC pour l'admission de la ventilation.



AVERTISSEMENT

Les ventilations ABS/PVC ne sont pas autorisées pour une utilisation comme matériau de ventilation d'échappement. Le non-respect de cette consigne pourrait être la cause d'accidents corporels graves, voire mortels, et/ou de dommages matériels et pourrait annuler la garantie de la chaudière.

N'utiliser aucun tuyau de plomberie d'évacuation et ventilation pour cette chaudière.

L'utilisation de noyau cellulaire en PVC (ASTM F891), de noyau cellulaire en PVC-C, ou Radel® (polyphénylsulfone) dans des systèmes de dégazage est interdite.

Le revêtement de raccords et tuyaux de ventilation non métalliques avec une isolation thermique est interdit.

Tous les tuyaux de ventilation, les tuyaux d'air comburant et les raccords doivent remplir les conditions suivantes :

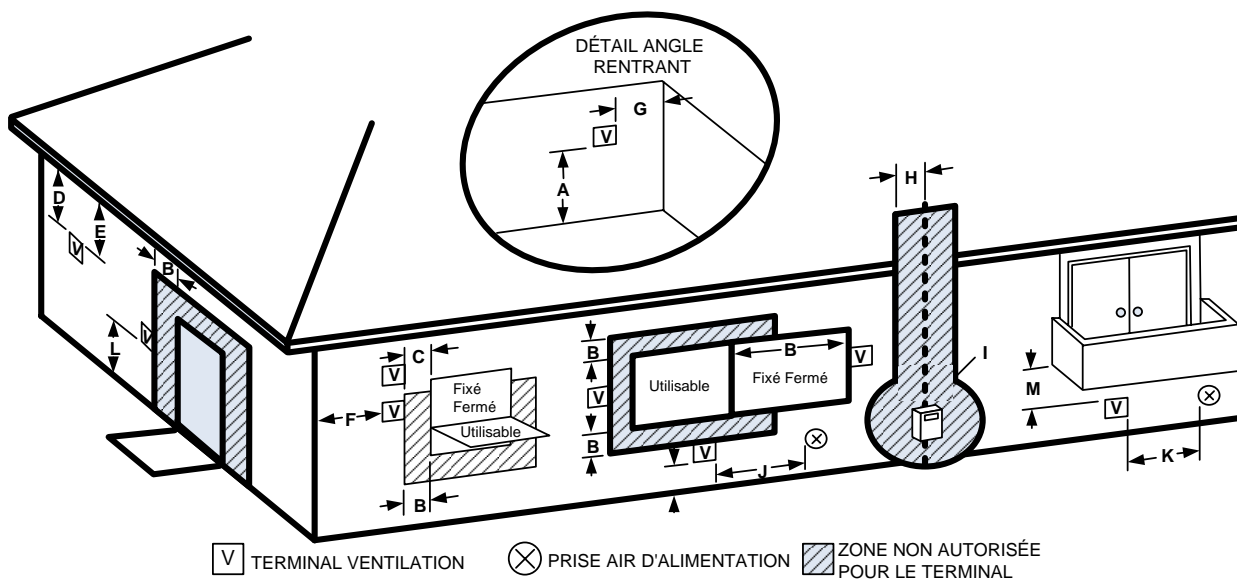
Les matériaux utilisés aux États-Unis doivent être conformes aux normes correspondantes suivantes : ANSI / ASTM D1785, ANSI / ASTMD2661, ANSI / ASTM F441.



AVIS

Respecter les longueurs équivalentes du fabricant de la ventilation pour les raccords. Les longueurs équivalentes mentionnées dans ce manuel d'installation sont uniquement pour les installations de ventilation en polypropylène de Baxi.

4.1.4 Emplacement du terminal de fumée



Dégagements minimaux du terminal de ventilation

		USA	CANADA
A	Dégagement au-dessus du niveau de sol, véranda, porche, terrasse ou balcon	12" (305 mm)	12" (305 mm)
B	Dégagement d'une fenêtre ou d'une porte ouvrable	12" (305 mm)	3 pi (0.9 m)
C	Dégagement avec fenêtre fermée de façon permanente	*12" (305 mm)	*12" (305 mm)
D	Dégagement vertical pour un soffite ventilé situé au-dessus du terminal à une distance horizontale de 610 mm (2 pieds) de la ligne centrale du terminal	18" (457mm)	18" (457mm)
E	Dégagement pour un soffite non ventilé	18" (457mm)	18" (457mm)
F	Dégagement pour un angle saillant	9" (229mm)	9" (229mm)
G	Dégagement pour un angle rentrant	6" (152mm)	6" (152mm)
H	Dégagement de chaque côté de la ligne médiane prolongée au-dessus du compteur/régulateur	3 pi (0.9m) dans une hauteur de 15 pi (4.5m) au-dessus du compteur/régulateur	3 pi (0.9m) dans une hauteur de 15 pi (4.5m) au-dessus du compteur/régulateur
I	Dégagement pour le régulateur de service de ventilation de sortie	3 pi (0.9 m)	3 pi (0.9 m)
J	Dégagement vers une prise d'air non mécanique à l'édifice ou d'une prise d'air de combustion pour tout autre appareil	12" (305 mm)	3 pi (0.9 m)
K	Dégagement d'une prise d'air mécanique	*3 pi (0.9 m)	6 pi (1.8 m)
L	Dégagement au-dessus d'un trottoir pavé ou d'une voie d'accès pavée, situés sur propriété publique	*7 pi (2.1 m)	7 pi (2.1 m) ¹
M	Dégagement au-dessous d'une véranda, d'un porche, d'une terrasse ou d'un balcon	*12» (305 mm) ²	12» (305 mm) ²
*	Pour les dégagements non précisés par ANSI Z223.1/NFPA 54 ou CSA B149.1, le dégagement devra être conforme aux règlements d'installation locaux, aux exigences du fournisseur de gaz et à ces instructions d'installation.		
(1)	Une ventilation ne peut pas s'arrêter directement au-dessus d'un trottoir ou d'une voie d'accès privé pavé située entre deux habitations unifamiliales et dessert les deux habitations.		
(2)	Permis seulement si la véranda, le porche, la terrasse ou le balcon sont complètement ouverts sur un côté au moins sous le sol.		

Remarque :

Les codes et les règlements locaux peuvent exiger différents dégagements. Le terminal de fumée doit être exposé à l'air externe et la position doit permettre la circulation d'air en tout temps. Dans certaines conditions météorologiques, le terminal peut dégager un panache de vapeur. Éviter de placer le terminal où cela pourrait être nuisible.

5. EMPLACEMENT DE LA CHAUDIÈRE

La chaudière n'est pas conçue pour l'installation à l'extérieur.

La chaudière doit être installée sur un mur vertical plat qui est en mesure de soutenir le poids de la chaudière.

La chaudière peut être installée dans toutes les pièces ou espaces intérieurs, mais il faut prêter une attention particulière aux réglementations courantes et aux dispositions applicables en matière d'électricité par rapport à l'installation de la chaudière dans une pièce ou dans un espace intérieur où se trouvent une douche ou une baignoire. Au cas où une chaudière étanche serait installée dans une pièce contenant une baignoire ou une douche, il faut s'assurer que personne, se servant de la douche ou de la baignoire, ne peut avoir accès à aucun interrupteur d'électricité ni à aucune commande de la chaudière connectée au réseau électrique.

La chaudière peut être installée dans un débarras ou une niche à condition que ces endroits soient correctement conçus à cette fin.

6. INSTALLATION DE CHAUFFAGE CENTRAL

La chaudière est conçue pour être utilisée dans une installation de chauffage central étanche, se référer à la section 2 : "DONNÉES TECHNIQUES" pour les détails concernant le volume de l'installation de chauffage. L'installation doit être conçue pour fonctionner avec des températures aller jusqu'à 176°F/80°C. Lors de la conception de l'installation, la hauteur d'élévation, la dimension du vase d'expansion, la température moyenne du radiateur, etc. doivent toutes être prises en compte. Se référer au tableau des performances de la pompe à la section 2.7 : "HAUTEUR D'ÉLEVATION DISPONIBLE POUR LE CHAUFFAGE CENTRAL". La chaudière est fournie avec la soupape de surpression réglée pour fonctionner à 50.0 psi/3.4 bar.

AVERTISSEMENT

**Le tuyau de décharge doit être orienté vers son écoulement de manière qu'il soit visible, mais n'encombre pas la chaudière et donc ne cause aucun dommage corporel ou matériel.
Faire fonctionner manuellement la soupape de surpression au moins une fois par an.**

- Éviter d'entrer en contact avec l'eau chaude sortante
- Diriger la soupape de surpression de façon à empêcher les dégâts des eaux.

Manomètre - pour indiquer la pression à maintenir dans l'installation.

6.1 REMPLISSAGE DE L'INSTALLATION

Vérifier périodiquement que la pression affichée sur le manomètre est de 14.7 - 22.1 psi (1 - 1.5 bar), lorsque la température de l'eau de l'installation est froide. Si la pression est inférieure, tourner le robinet de remplissage de l'installation monté par l'installateur. Ouvrir le robinet très lentement afin de purger l'air.

ATTENTION

La chaudière est installée avec un manomètre hydraulique qui empêche à la chaudière de fonctionner en absence d'eau.

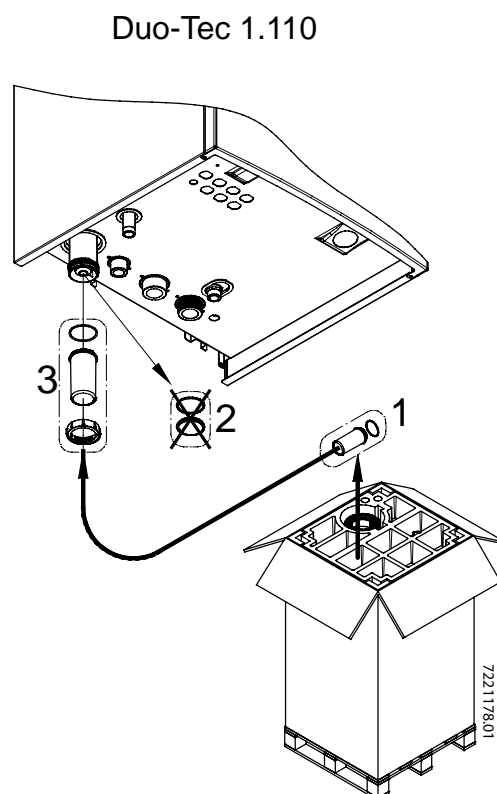
AVIS

Si la pression chute fréquemment, faire contrôler la chaudière auprès d'un SERVICE D'ASSISTANCE TECHNIQUE AGRÉÉ.

6.2 REMPLISSAGE DU PURGEUR DE CONDENSAT

ATTENTION

Après avoir fixé la chaudière au mur, remplacez le bouchon inférieur du siphon par celui présent dans l'emballage, réutilisez la bague et respectez la procédure indiquée dans la figure. Après avoir rempli le siphon, contrôlez son étanchéité.

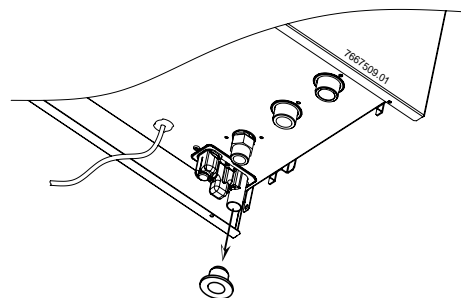


ATTENTION

Duo-Tec 1.70

Avant de procéder au remplissage du siphon, enlever le bouchon comme indiqué sur la figure ci-contre et raccorder le tuyau d'évacuation de l'eau de condensation.

- Pour remplir le purgeur de condensat, verser de l'eau dans le conduit d'échappement jusqu'à ce que l'eau commence à s'écouler à travers le siphon.
- Inspecter visuellement le siphon pour s'assurer qu'il est plein.



ATTENTION

Remplir le purgeur de condensat avant de démarrer la chaudière afin d'éviter la fuite de produits de combustion de la chaudière.

ATTENTION

Lors du fonctionnement, vérifier que le purgeur de condensat s'évacue correctement.

6.3 REMPLISSAGE DE L'INSTALLATION DE CHAUFFAGE

ATTENTION


Avant le remplissage, ouvrir les vannes sur chaque circuit de chauffage du système.

AVIS

Afin d'être en mesure de lire la pression de l'eau sur l'afficheur de la chaudière, la chaudière doit être allumée.

- Remplir l'installation avec de l'eau du robinet propre (la pression de l'eau conseillée est entre 14.7 et 22.1 psi/1.0 et 1.5 bar).
- Vérifier les raccordements hydrauliques pour s'assurer qu'ils sont serrés et qu'ils ne fuient pas.

AVIS

Après la mise en marche et si la pression de l'eau est adéquate, la chaudière fonctionne toujours à travers un programme de purge de l'air automatique d'une durée approximative de 3 minutes (pendant le remplissage, de l'air peut s'échapper de l'installation à travers le conduit de ventilation d'air automatique). Si la pression de l'eau est inférieure à 11.6 psi/0.8 bar, le symbole  apparaîtra. Si nécessaire, compléter le niveau d'eau dans l'installation de chauffage (la pression de l'installation conseillée est entre 14.7 et 22.1 psi/1.0 et 1.5 mbar).

ATTENTION

The system must be filled must be carried out within 30 minutes, otherwise the air purge program starts which would be undesirable if the system is not filled. Switch off the boiler if the heating system is not being pressurized immediately. When venting air from the system piping, protect the boiler from water damage.

7. PRODUITS CHIMIQUES TOXIQUES

Les produits chimiques toxiques, tels que ceux utilisés pour le traitement de chaudière, ne doivent pas être introduits dans l'eau potable.

8. INSTALLATION DE CHAUFFAGE ET DE RÉFRIGÉRATION

Lorsque la chaudière est utilisée avec un système de réfrigération, elle doit être installée de sorte que l'élément réfrigéré soit alimenté en parallèle avec la chaudière, à l'aide de soupapes appropriées pour éviter que l'élément réfrigéré ne pénètre dans la chaudière.

Le système de tuyauterie d'une chaudière à eau chaude connectée aux bobines thermiques des unités de traitement de l'air, où elles peuvent être exposées à l'air réfrigéré circulé, doit être doté de régulateurs de débit ou autres éléments automatiques pour supprimer la circulation par gravité de l'eau de la chaudière lors du cycle de réfrigération.

9. INSTALLATION

9.1 CONNEXION DE LA TUYAUTERIE

- Rincer soigneusement l'eau de toute la tuyauterie.



AVERTISSEMENT

S'assurer que tous les bouchons en plastique sont retirés des raccords de la chaudière.

- Fixer toutes les soupapes et les raccords à la chaudière
- S'assurer que les rondelles fournies sont utilisées.
- Les soupapes et les raccords doivent être face au mur arrière.
- Fixer les coudes d'union aux soupapes.

Remarque :

- a. Si les coudes d'union sont soudés à la chaudière, s'assurer que les coudes ne sont pas connectés aux soupapes puisque l'on risquerait d'endommager les joints internes.
- b. S'assurer que la soupape d'isolation de 3/4" / 22.2 mm et son filtre sont connectés au retour de chauffage.
- c. Fixer la connexion verticale de la soupape de surpression avant la soupape d'isolation de chauffage.

- Raccorder la tuyauterie de l'installation à la chaudière.

Le tuyau de décharge doit être orienté vers son écoulement de manière qu'il soit visible, mais n'encombre pas la chaudière et donc ne cause aucun dommage corporel ou matériel.

- Vérifier que toutes les soupapes soient fermées (tige à angle droit de la soupape) et ne pas ouvrir l'alimentation en eau ou gaz à ce stade.
- Raccorder le purgeur de condensat, fourni avec la chaudière, à une évacuation en s'assurant qu'il y a une pente continue en direction de l'évacuation. Éviter des sections horizontales de niveau.



AVERTISSEMENT

**La chaudière et sa soupape d'arrêt doivent être déconnectées du système d'alimentation en gaz lors de l'essai de ce système à une pression supérieure à 1/2 psi (3,40 kPa - 34,47 mbar).
La chaudière doit être isolée du système d'alimentation en gaz en fermant la soupape d'arrêt manuelle de celle-ci, lors de l'essai du système d'alimentation en gaz à une pression inférieure ou égale à 14" w.c. (3.5 kPa.)
La chaudière doit être installée en veillant à protéger les éléments du système d'allumage à gaz contre toute infiltration d'eau (gouttes, pluie, vaporisation, etc.) lors du fonctionnement et de l'entretien de l'appareil (remplacement du circulateur, extraction des condensats, remplacement d'éléments de contrôle, etc.).**

10. CONNEXIONS ÉLECTRIQUES

La chaudière nécessite une alimentation électrique de 120 V, 60 Hz. S'assurer que l'alimentation électrique est polarisée.

La chaudière doit être mise à la terre sur un circuit spécialisé.

Installer seulement un isolateur commun, assurant la complète isolation électrique à la chaudière et aux autres contrôles externes. Au moyen d'un câble isolé en PVC 18 AWGx3C 221°F / 105 °C. Toutes les connexions électriques doivent être installées selon les dispositions du Code Électrique National (C.É.N.), ainsi que selon les dispositions de tout autre code local, provincial ou national applicables. Tous les câbles doivent être de la Classe 1 du C.É.N. La mise à terre de la chaudière est obligatoire conformément au C.É.N., ANSI/NFPA n° 70, dernière édition. Au Canada, l'installation doit se conformer au Code électrique canadien CSA C22.1, partie 1, ainsi qu'à tous les autres codes locaux.

10.1 ACCÈS AU BLOC CONNECTEUR

1. Dévisser les deux vis situées sous le panneau avant d'un quart de tour et retirer le panneau.
2. Guider le câble du contrôleur ou du thermostat à travers le(s) passe-fils ronds sur le côté droit de la plaque inférieure de la chaudière.
3. Incliner la boîte de contrôle vers l'avant en ouvrant les clips de fixation situés sur chaque côté de la chaudière.
4. Ouvrir l'armoire du panneau de contrôle en desserrant le clip sur le côté avant de la boîte de contrôle.
5. Faire passer le(s) câble(s) de connexion à travers le(s) passe-fils dans l'armoire du panneau de contrôle.
6. Dévisser le serre-câble (pour accéder au bloc connecteur) et passer les câbles à travers.
7. Connecter les câbles aux bornes adéquates sur le bloc connecteur.
8. Serrer fermement les serre-câbles et fermer l'armoire du panneau de contrôle.

Les différents thermostats et contrôleurs peuvent être connectés au contrôle standard PCB (bloc connecteur X12).

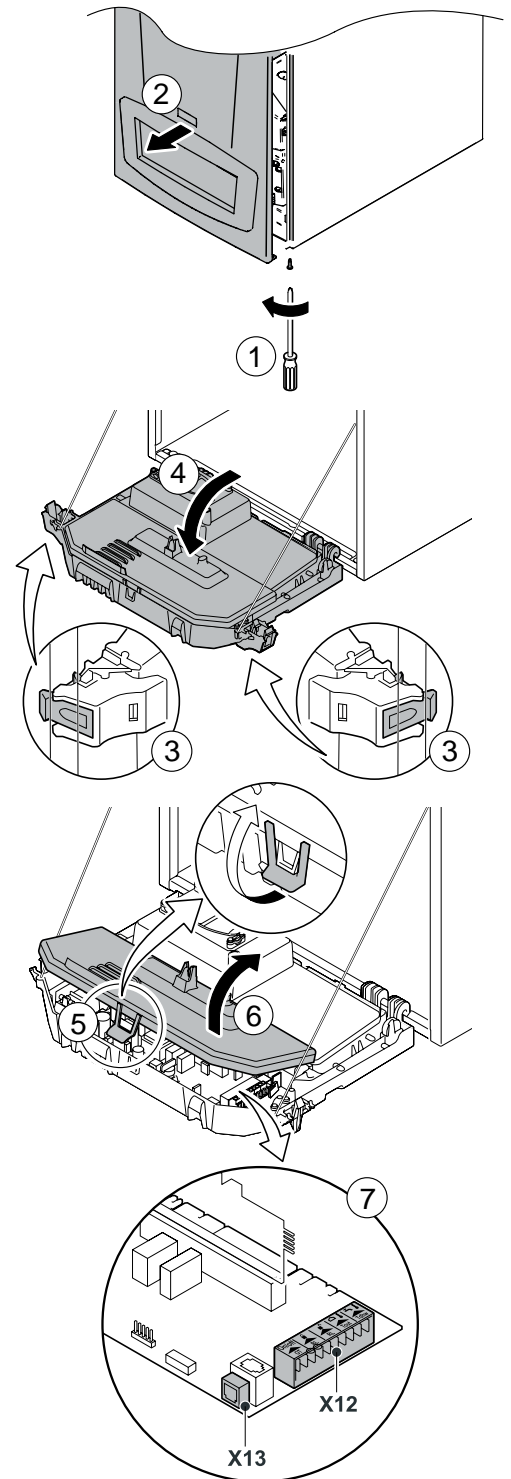
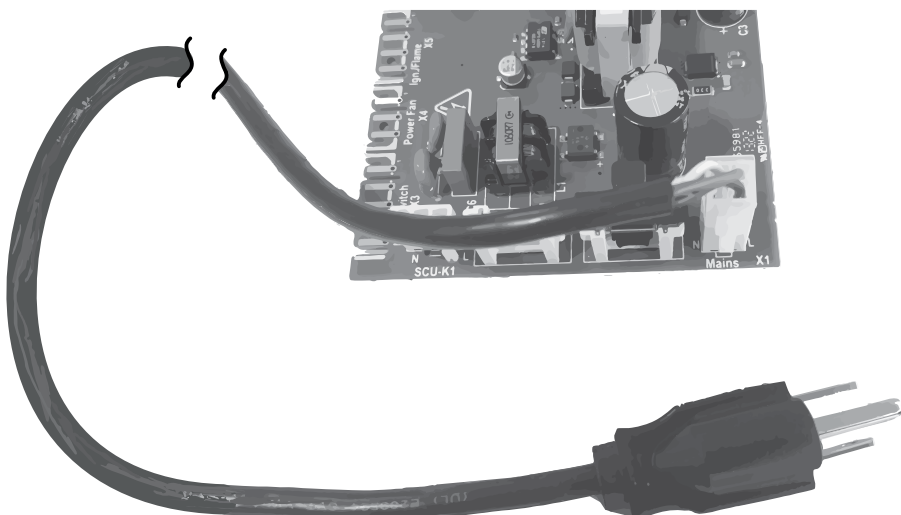
AVERTISSEMENT

Si la chaudière est directement raccordée à un système de chauffage par le sol, pour éviter les risques d'incendie, l'installateur devra installer un thermostat de sécurité.

10.1.1 CONNEXION DE L'ALIMENTATION PRINCIPALE

DANGER

L'alimentation principale est connectée au bornier X1 qui est à haute tension (120V / 60Hz).

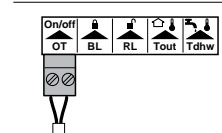
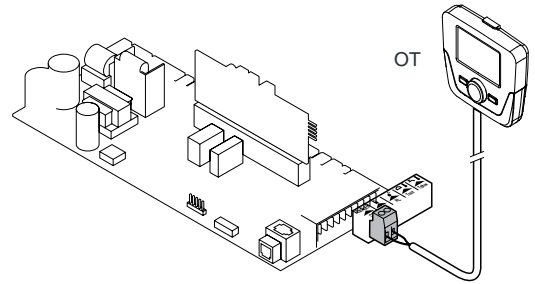


10.2 ACCESSOIRES

10.2.1 CONNEXION À L'UNITÉ DE CONTRÔLE À DISTANCE (OPEN THERM)

La chaudière est équipée d'une connexion OpenTherm standard.

- Par conséquent, des régulateurs modulant OpenTherm peuvent être connectés sans modifications (régulateurs d'ambiance, dépendant des conditions météorologiques et en cascade). En cas de thermostat d'ambiance : Installer le thermostat d'ambiance dans une pièce fréquemment occupée (par exemple le salon).
- Brancher les deux câbles du thermostat aux bornes **ON/OFF-OT** sur le tableau de commande.



i AVIS

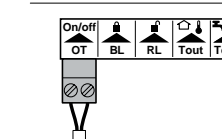
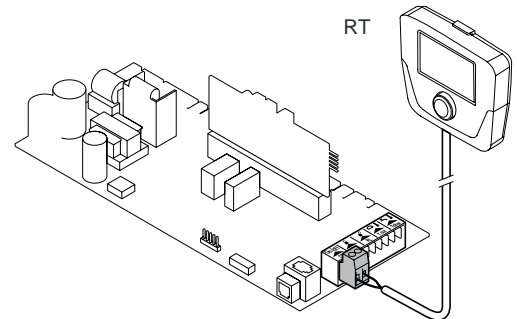
Si la température ECS peut être réglée sur le contrôleur OpenTherm, la chaudière donnera la température configurée. Dans ce cas la valeur configurée sur la chaudière deviendra la température ECS maximale à laquelle le contrôleur peut être réglé.

10.2.2 RACCORDEMENT DU THERMOSTAT TOUT OU RIEN

La chaudière est adaptée pour un raccordement à un thermostat d'ambiance tout ou rien à 2 fils (RT).

- Installer le thermostat d'ambiance dans une pièce fréquemment occupée (par exemple le salon).
- Connecter le thermostat d'ambiance 24V à 2 fils aux bornes **ON/OFF-OT** du connecteur du tableau de commande de la chaudière.

Remarque : Les bornes ON/OFF-OT sont un contact libre de potentiel et ne fournissent pas 24v au thermostat.



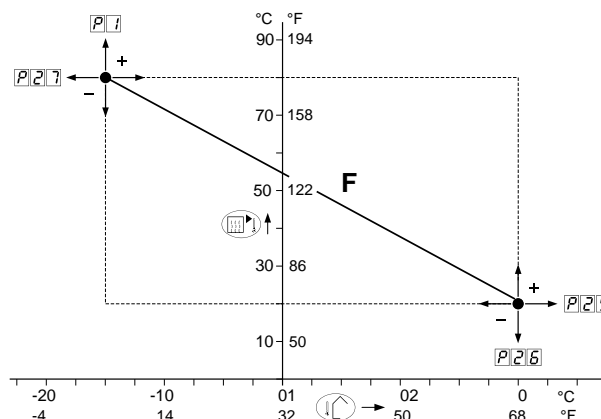
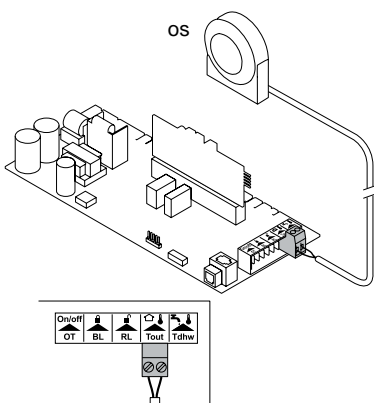
i AVIS

Si on utilise un thermostat d'ambiance avec un anticipateur, le paramètre P5 doit être réglé.

La chaudière n'est pas adaptée à un thermostat de type Nest sans une source d'alimentation CA externe.

10.2.3 SONDE DE TEMPÉRATURE EXTÉRIEURE

Les sondes de température extérieure sont disponibles comme accessoire de la chaudière. S'il y a un thermostat tout ou rien, la chaudière contrôlera la température avec le point de consigne de la courbe de chauffage interne.




i AVIS

Un régulateur OpenTherm peut aussi utiliser cette sonde de température extérieure. Dans ce cas la courbe de chauffe doit être réglée sur le contrôleur OpenTherm.

i AVIS

Tous les câbles doivent être Classe 1 C.É.N. Si un des câbles de la chaudière fournis à l'origine a besoin d'être remplacé, utiliser seulement un câble avec un TEW 105°C ou une désignation équivalente. La mise à terre de la chaudière est obligatoire conformément au C.É.N, ANSI/NFPA n° 70, dernière édition.

 Température extérieure.

 Température de départ.

P1 : Température aller (maximum).

P25 : Température aller (minimum).

P26 : Température aller (minimum).

P27 : Température extérieure (défaut).

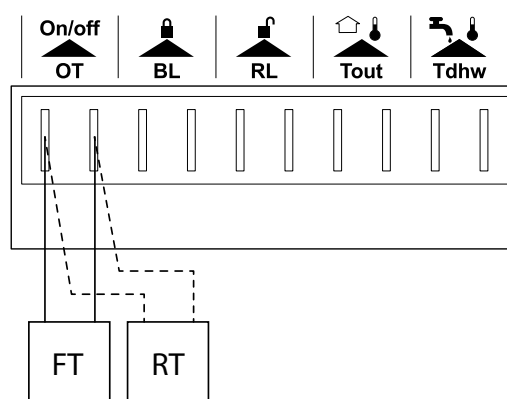
Si une sonde de température extérieure est connectée, il est possible de régler la courbe de chauffage. Le réglage peut être modifié en utilisant les paramètres **P1**, **P25**, **P26** et **P27**.

10.3 PROTECTION CONTRE LE GEL

PROTECTION CONTRE LE GEL EN COMBINAISON AVEC THERMOSTAT TOUT OU RIEN

Si un thermostat tout ou rien est utilisé, il est recommandé de protéger les pièces présentant un risque de gel en utilisant un thermostat antigel ; cependant, la vanne ou zone du radiateur, en cas de risque de gel, doit être ouverte.

- Dans les pièces avec un risque de gel, il est préférable d'installer un thermostat antigel (**FT**).
- Connecter le thermostat antigel en parallèle avec un thermostat d'ambiance tout ou rien (**RT**) aux bornes ON/OFF-OT du connecteur du tableau de commande.



i AVIS

Si un thermostat OpenTherm est utilisé, un thermostat antigel ne peut pas être connecté en parallèle aux bornes ON/OFF-OT. À la place, installer une protection contre le gel pour l'installation de chauffage en utilisant la sonde de température extérieure.

PROTECTION CONTRE LE GEL EN COMBINAISON AVEC SONDE DE TEMPÉRATURE EXTÉRIEURE

L'installation de chauffage peut aussi être protégée contre le gel en combinaison avec une sonde de température extérieure ; cependant, la vanne ou zone du radiateur, en cas de risque de gel, doit être ouverte. Connecter la sonde de température extérieure aux bornes "T out" du connecteur du tableau de commande.

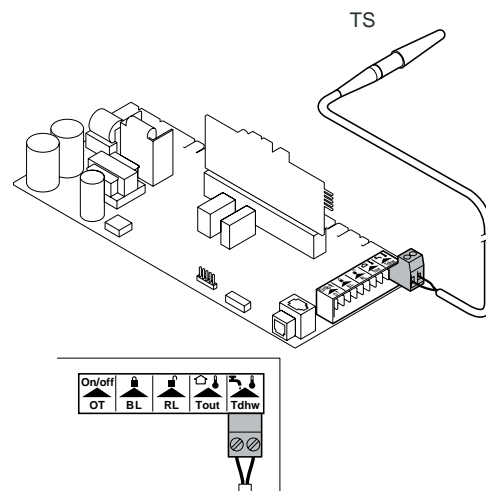
La protection contre le gel est activée quand

- la sonde de température extérieur indique une température inférieure à 14°F/-10°C (cette température peut être réglée avec le paramètre P30)
- la pompe de circulation s'allume et fonctionne de manière continue jusqu'à ce que la température extérieur dépasse la valeur configurée sur le paramètre P30.

10.4 CHAUFFE-EAU INDIRECT ECS

CONNEXION DU CHAUFFE-EAU INDIRECT/THERMOSTAT ECS

Raccorder la sonde du réservoir indirect ECS ou le thermostat (**TS**) aux bornes "**Tdhw**" du connecteur du tableau de commande.



10.5 ENTRÉE ARRÊT

La chaudière a une entrée arrêt. L'entrée est sur les bornes **BL** du connecteur du tableau de commande.

ATTENTION

Adaptée seulement aux contacts libres de potentiel.

AVIS

Si un thermostat OpenTherm est utilisé, un thermostat antigel ne peut pas être connecté en parallèle aux bornes ON/OFF-OT. À la place, installer une protection contre le gel pour l'installation de chauffage en utilisant la sonde de température extérieure.

AVIS

Pour l'utilisation de cette entrée retirer le câble de jonction.

Le comportement de cette entrée peut être changé en utilisant **P36** (voir la section 11.4 "Réglages des Paramètres").

10.6 ENTRÉE DE DÉBLOCAGE

La chaudière a une entrée de déblocage. L'entrée est sur les bornes **RL** du connecteur. Le comportement de cette entrée peut être changé en utilisant **P37** (voir la section 11.4 "Réglages des Paramètres").

ATTENTION

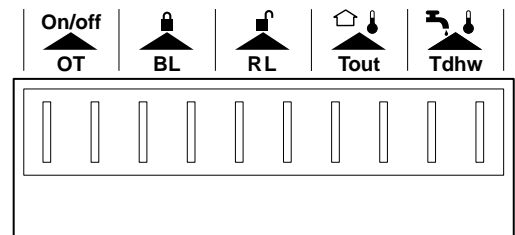
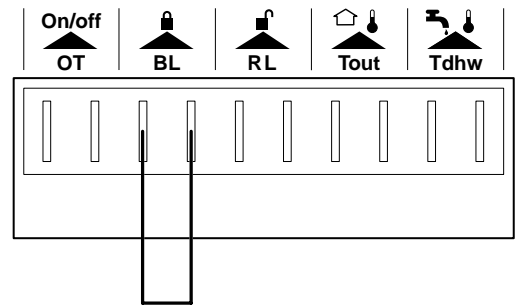
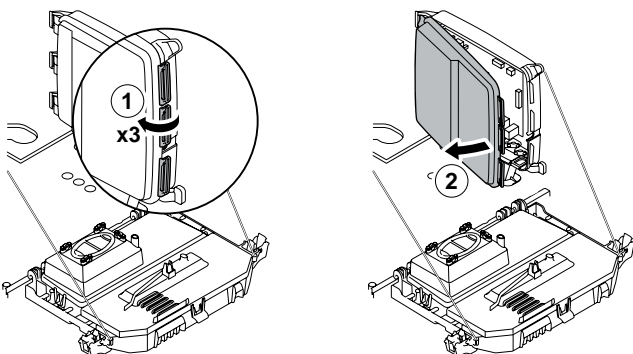
Adaptée seulement aux contacts libres de potentiel.

10.7 CONNEXIONS ÉLECTRIQUES EN OPTION

10.7.1 Boîte de contrôle auxiliaire

Les **PCB** de contrôle sont situés dans la boîte de contrôle auxiliaire. Voir les instructions fournies avec les PCB de contrôle.

- Retirer les clips de la protection du PCB.
- Retirer la protection.

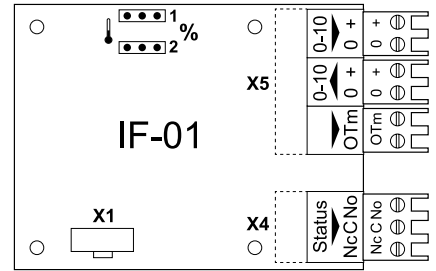


10.7.2 OPTIONS DE CONNEXION POUR LE PCB DE CONTRÔLE 0-10V (IF-01)

Le PCB de contrôle **IF-01** est intégré à la boîte de contrôle auxiliaire.
Se référer aux instructions fournies avec le produit.

ATTENTION

Ne pas connecter un thermostat antigel ou un thermostat d'ambiance à la chaudière si vous utilisez le PCB de contrôle 0-10 V.



ÉTAT DE LA CONNEXION (Nc)

Si la chaudière se verrouille, un relais est désactivé et une alarme peut être transmise à travers un contact libre de potentiel (maximum 120 VAC- 1A) sur les bornes **Nc** et **C** du connecteur du tableau de commande.

CONNEXION (OTm)

L'interface communique avec la commande de la chaudière à travers le protocole **OpenTherm**. La connexion OTm doit être connectée à l'entrée **OpenTherm OT** de la commande de la chaudière.


ENTRÉE ANALOGIQUE (0-10V)

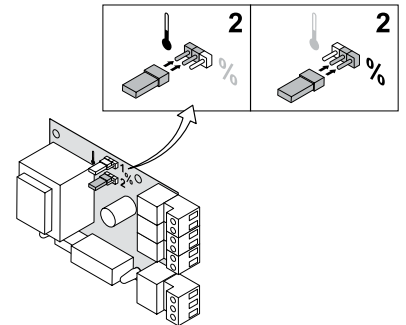
Cette commande peut être basée sur la température ou la puissance thermique. Les deux commandes sont décrites brièvement ci-dessous. Pour une commande analogique, le signal 0-10 V doit être connecté à l'interface.

COMMANDE ANALOGIQUE BASÉE SUR LA TEMPÉRATURE

Le signal 0-10 V commande la température aller de la chaudière entre 68°F/20°C et 176°F/80°C. Cette commande module en fonction de la température aller, selon laquelle la puissance thermique varie entre les valeurs minimum et maximum en fonction du point de consigne de la température aller calculé par le contrôleur.

La bretelle 2 sur l'interface est utilisée pour sélectionner soit la commande de température (°F/°C) ou la commande de puissance thermique (%).

JUMPER 2	SIGNAL D'ENTRÉE (V)	TEMPÉRATURE (°F/°C)	DESCRIPTION
	0 - 1.5	32-59 / 0-15	Chaudière éteinte
	1.5 - 1.8	59.0-64.4 / 15.0-18.0	Hystérésis
	1.8 - 10.0	64.4-176.0 / 18.0-80.0	Température requise



COMMANDE ANALOGIQUE BASÉE SUR LA PUISSANCE THERMIQUE

Le signal 0-10 V commande la puissance de la chaudière entre 0% et 100%. Les valeurs minimum et maximum sont limitées. La puissance minimum est liée à la profondeur de modulation de la chaudière. La puissance varie entre la valeur minimum et maximum en fonction de la valeur déterminée par le contrôleur.


JUMPER 2	SIGNAL D'ENTRÉE (V)	TEMPÉRATURE (°F/°C)	DESCRIPTION
%	0.0 - 2.0	32-68 / 0-20	Chaudière éteinte
	2.0 - 2.2 ¹	68-72 / 20-22	Hystérésis
	2.0 - 10.0 ¹	72-176 / 20-80	Puissance thermique requise

(1) En fonction de la profondeur de modulation minimum (vitesses réglées, standard 20%)

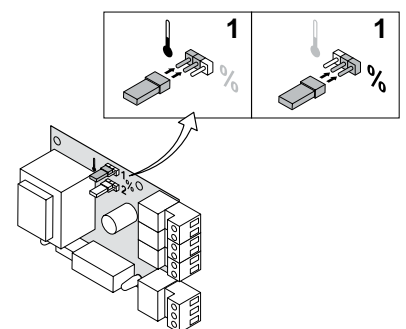
SORTIE ANALOGIQUE 0-10V

La température ou la puissance thermique peut être choisie pour ce message de retour. Les deux commandes sont décrites brièvement ci-dessous.

La bretelle 1 sur l'interface est utilisée pour sélectionner soit la commande de température (°F/°C) ou la commande de puissance thermique (%).

JUMPER 1	SIGNAL DE SORTIE (V)	TEMPÉRATURE (°F/°C)	DESCRIPTION
	0	32-59 / 0-15	Chaudière éteinte
	0.5	59-72 / 15-20	Hystérésis
	2.0 - 10.0	72-176 / 20-80	Température requise

(1) En fonction de la profondeur de modulation minimum (vitesses réglées, standard 20%)



10.7.3 POSSIBILITÉS DE CONNEXION POUR LE PCB (SCU-S02)

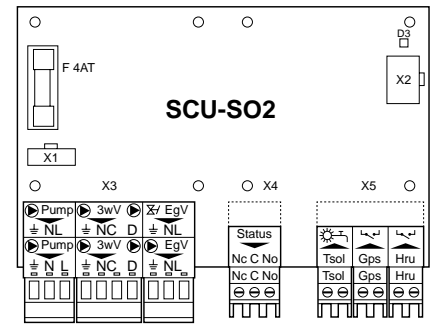
Si la chaudière est dotée du PCB de contrôle (SCUS02), il est automatiquement reconnu par l'unité de contrôle automatique de la chaudière.

ATTENTION

Lors du retrait du PCB, la chaudière montrera le code d'erreur E38. Afin d'éviter cette erreur, une auto-détection doit être effectuée après avoir retiré ce PCB (Voir chapitre : "Effectuer une auto-détection").

L'indicateur de statut à LED D3 en haut à droite du PCB de contrôle indique le statut :

- Signal continu : PCB fonctionnant normalement.
- Signal clignotant : Pas de connexion.
- Pas de signal : Pas de tension ou PCB défectueux (Vérifier le câblage).



COMMANDE DE LA POMPE EXTERNE DE L'INSTALLATION DE CHAUFFAGE

Une pompe externe pour l'installation de chauffage peut être raccordée aux bornes de la pompe sur le tableau de commande. La puissance d'entrée maximum est de 300 VA/ 0.4 FHP. Un relais auxiliaire doit être utilisé pour une pompe avec une entrée plus grande.

COMMANDE DE LA SOUPE À TROIS VOIES EXTERNE (3WV)

La soupape à trois voies externe (120 VAC) peut être utilisée lors de la connexion d'un réservoir ECS chauffé indirectement. La position neutre de la soupape à trois voies peut être réglée à l'aide du paramètre P34. La soupape à trois voies est connectée comme suit :

- N = neutre.
- C = installation de chauffage.
- D = réservoir indirect.

ATTENTION

Si la position neutre de la soupape à trois voies est réglée avec le paramètre P34, la pompe doit être connectée comme suit :

- N = pompe N.
- C = pompe L.
- ⊕ = Terre.

COMMANDE DE LA VANNE DE GAZ EXTERNE

S'il y a une demande de chaleur, une tension alternative de 120 VAC, 1 A (maximum) devient disponible sur les bornes EgV du connecteur du tableau de commande pour commander une vanne de gaz externe.

SIGNAL DE FONCTIONNEMENT ET SIGNAL DE PANNE (EgV)

Le signal d'alarme ou de fonctionnement est sélectionné en utilisant le paramètre P40.

- Si la chaudière fonctionne, le signal de fonctionnement peut être allumé à travers un contact libre de potentiel (maximum 120 VAC, 1 A) sur les bornes **NO** et **C** du connecteur.
- Si la chaudière est verrouillée, l'alarme peut être transmise à travers un contact libre de potentiel (maximum 120 VAC, 1 A) sur les bornes **NO** et **C** du connecteur.

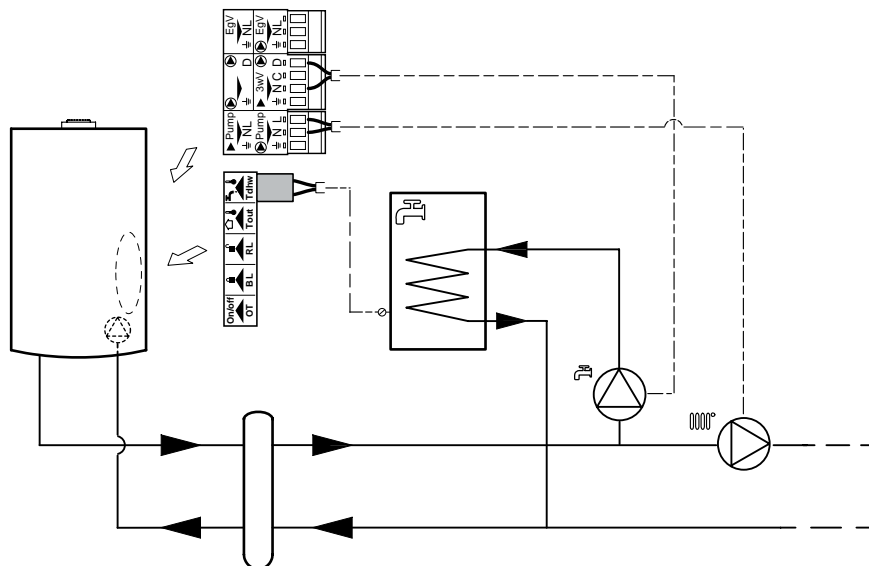
GPS MINIMUM PRESSOSTAT

Le pressostat de gaz minimum éteint la chaudière si la pression d'entrée du gaz devient trop basse. Connecter le pressostat de gaz minimum aux bornes Gps. La présence du pressostat du gaz doit être réglée en utilisant le paramètre P41.

10.8 EXEMPLES DE CIRCUITS HYDRONIQUES AVEC TABLEAU DE COMMANDE AUXILIAIRE

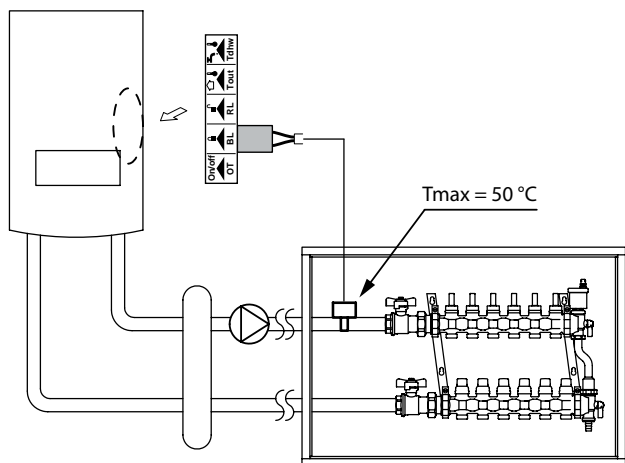
10.8.1 EXEMPLE D'UN CIRCUIT HYDRONIQUE AVEC CHAUFFE-EAU INDIRECT ECS

- Brancher le capteur du réservoir indirect aux bornes **Tdhw** comme indiqué dans la section 10.4.
- Connecter la pompe CH (Chauffage Central) au terminal "**Pompe**" **N-L** du PCB de contrôle (SCU-02) voir section 10.7.3.
- Connecter la pompe ECS (Eau Chaude Sanitaire) au terminal **N-D "3wV"** du PCB de contrôle (SCU-02) voir section 10.7.3.



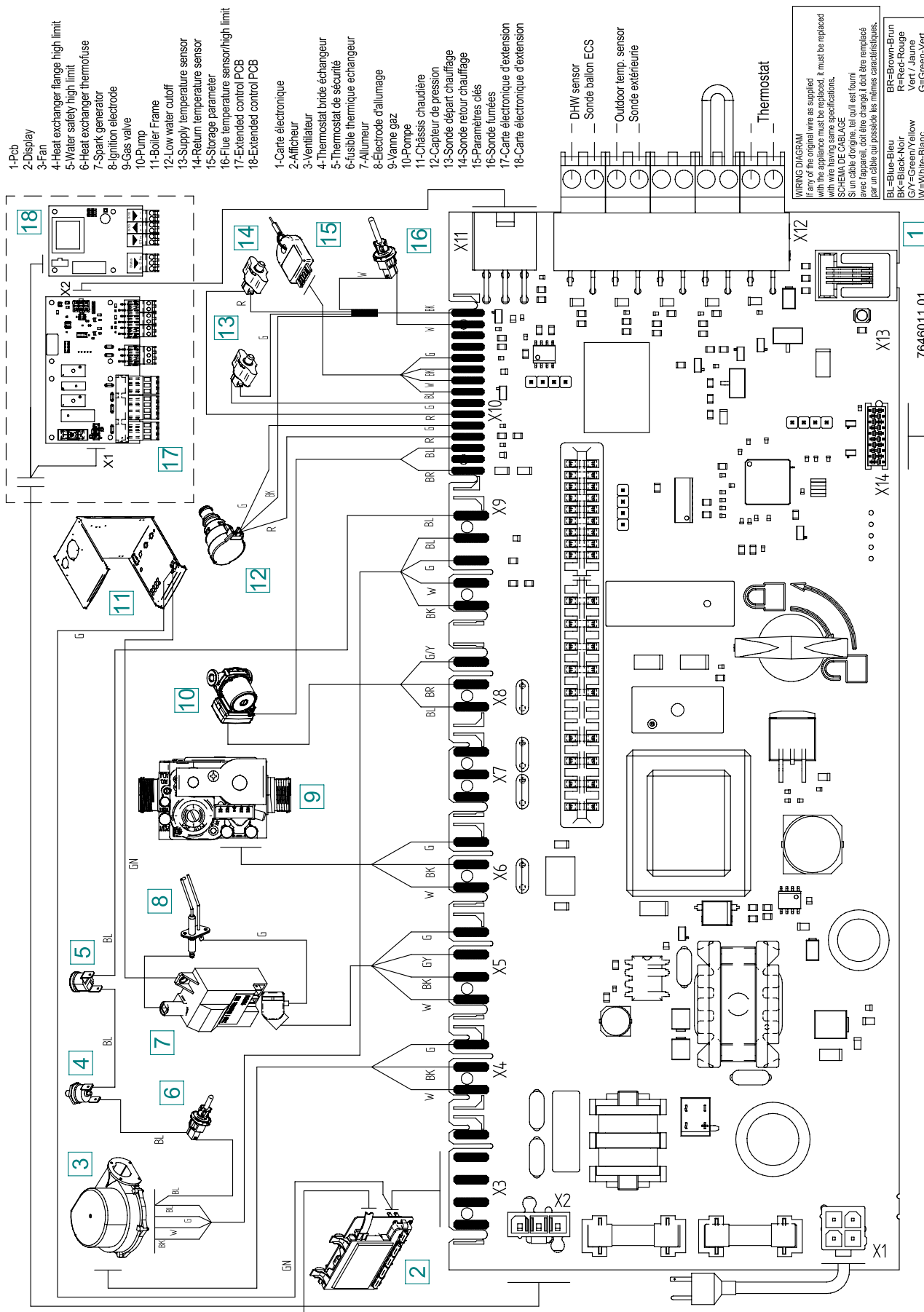
10.8.2 EXEMPLE DE CONNEXION D'ENTRÉE ARRÊT DE L'INSTALLATION

L'exemple ci-dessous montre la connexion d'une entrée arrêt pour l'installation au tableau auxiliaire (voir section 10.6).



10.9 SCHÉMAS DE CÂBLAGE

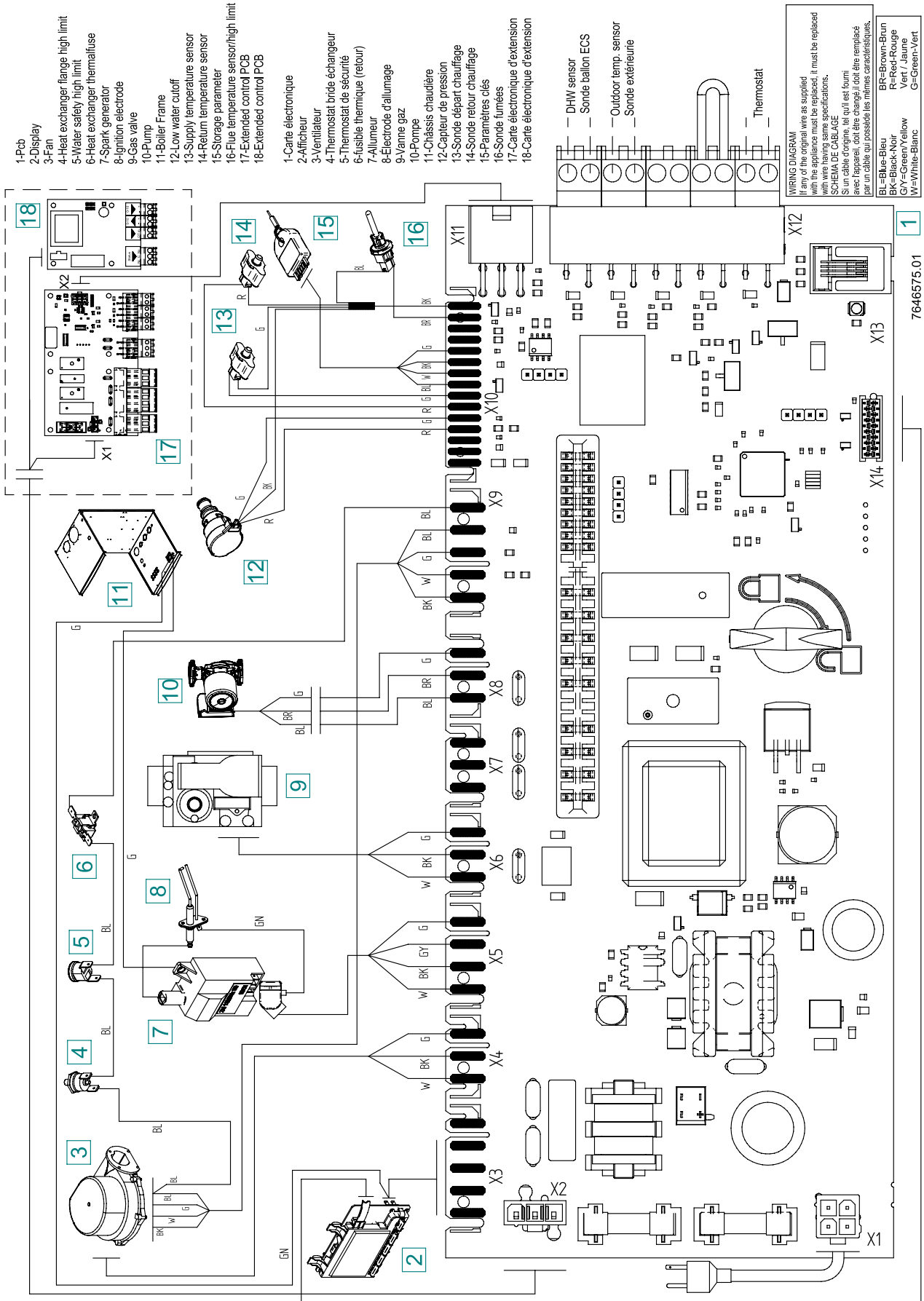
10.9.1 LUNA DUO-TEC 1.70



7646011.01

Section INSTALLATEUR (fr)

10.9.2 LUNA DUO-TEC 1.110

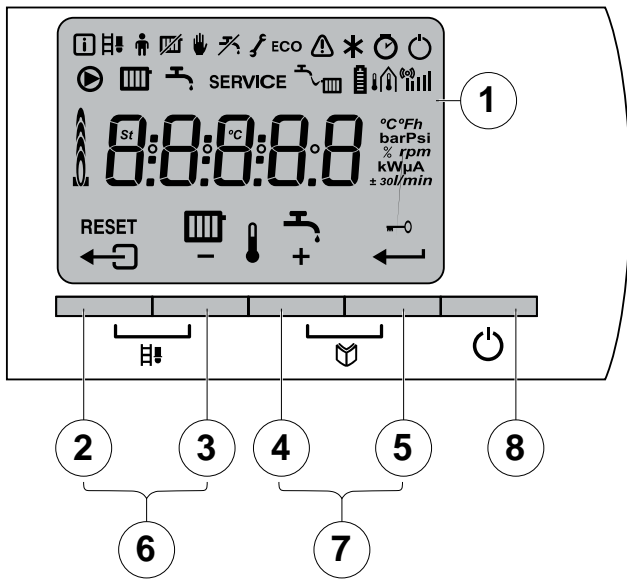


7646575.01

11. MISE EN SERVICE

11.1 PANNEAU DE CONTRÔLE

Fonctions d'affichage



1	Afficheur
2	[Sortie] ou RESET bouton
3	Bouton de température de chauffage en boucle ou [-]
4	Bouton de température ECS ou [+]
5	[Entrée] ou verrouillage bouton
6	Bouton [Ramonage] (appuyer sur les boutons 2 et 3 simultanément)
7	Boutons [Menu] (appuyer sur les boutons 4 et 5 simultanément)
8	Interrupteur ON/OFF

Symboles

	Menu d'informations : Lecture des valeurs actuelles du capteur.		Interrupteur ON/OFF : Après 5 verrouillages, il faut appuyer à nouveau sur l'interrupteur OFF/ON.
	Fonction ramonage : Charge pleine forcée ou charge partielle pour mesure du CO ₂ .		Pompe de la chaudière : La pompe fonctionne.
	Menu de l'utilisateur : Paramètres au niveau utilisateur réglables.		Réglage température chauffage : Accès au réglage de la température du système de chauff.
	Programme de chauffage désactivé : Le mode chauffage est désactivé.		Fonction ECS : Accès au réglage de la température de l'eau chaude potable.
	Mode manuel : La chaudière est réglée sur fonctionnement manuel.	SERVICE	Affichage jaune avec les symboles : + SERVICE + (Message d'entretien).
	Programme ECS désactivé : Le mode ECS est désactivé.		Pression de l'eau : La pression de l'eau est trop basse.
	Menu de service : Paramètres au niveau technicien réglables.		Niveau du brûleur : Indique que la flamme est présente et le pourcentage de modulation par incréments.
ECO	Mode économique : Mode d'économie d'énergie activé.		Verrouillage du contrôleur avant : Le verrouillage des touches est activé.
	Erreur : La chaudière indique une erreur. Cela peut être vu depuis le code é et l'afficheur rouge.		
	Protection contre le gel : La chaudière fonctionne en mode protection contre le gel.		
	Menu du compteur horaire : Affichage des heures de fonctionnement, nombre de démarrages réussis et heures sans panne de courant.		

11.2 AVANT LA MISE EN MARCHÉ



AVERTISSEMENT

Ne pas mettre la chaudière en marche si le gaz fourni n'est pas conforme aux types de gaz approuvés.

Préparation de la chaudière pour la mise en service :

- Vérifier que le type de gaz fourni correspond aux données indiquées sur la plaque signalétique de la chaudière.
- Vérifier les tuyaux de gaz pour s'assurer qu'ils sont à la bonne taille et montés correctement.
- Vérifier le système hydraulique pour s'assurer qu'il est à la bonne taille et monté correctement.
- Vérifier la pression de l'eau dans l'installation de chauffage.
- Vérifier les branchements électriques du thermostat et des autres commandes externes.
- Vérifier tous les autres branchements de la chaudière.
- Tester la chaudière à pleine charge (feu élevé). Vérifier le rapport gaz/air (O₂/CO₂%) et, si nécessaire, le corriger.
- Tester la chaudière à charge partielle (feu bas). Vérifier le rapport gaz/air (O₂/CO₂%) et, si nécessaire, le corriger.
- Terminer tous les travaux en cours.

11.3 CONFIGURATION DE LA MISE EN SERVICE



AVERTISSEMENT

Seul un professionnel qualifié peut effectuer les opérations suivantes.



AVERTISSEMENT

S'assurer que la chaudière est éteinte.

- Ouvrir l'arrivée de gaz principale.
- Ouvrir la vanne de fermeture du gaz sur la chaudière.
- Dévisser les deux vis situées sous le panneau avant d'un quart de tour et retirer le panneau.
- Incliner la boîte de contrôle vers l'avant en ouvrant les clips de fixation situés sur chaque côté de la chaudière.
- Vérifier la pression de l'arrivée de gaz à la sortie de pression **Pi** sur l'unité de vanne de gaz.
- S'assurer que tous les branchements de gaz sont serrés.
- Tester la pression de la ligne de gaz ; la pression de test ne doit pas dépasser 0.87 psig/60 mbar. Purger le tuyau d'arrivée de gaz dans la chaudière en dévissant la sortie de pression sur la vanne de gaz. Serrer le port lorsque le tuyau a été suffisamment purgé.
- Vérifier que tous les branchements de gaz dans la chaudière sont serrés.
- Vérifier le purgeur de condensat - il doit être entièrement rempli avec de l'eau propre.
- Vérifier qu'il n'y a pas de fuites sur les branchements d'eau.
- Vérifier les branchements électriques, en particulier la terre.
- Vérifier les branchements électriques du thermostat et des autres commandes externes.



AVERTISSEMENT

La chaudière est configurée pour être utilisée avec du gaz naturel ; si du propane est utilisé, la vanne de gaz doit être réglée avant d'allumer la chaudière.

- Incliner la boîte de contrôle vers le haut à nouveau et la fixer en utilisant les clips situés sur les côtés.
- Ouvrir l'arrivée de gaz principale.
- Ouvrir la vanne de fermeture du gaz sur la chaudière.
- Brancher la chaudière à une prise électrique.
- Allumer la chaudière en utilisant l'interrupteur ON/OFF.
- Régler les commandes (thermostats, système de commande) afin de générer un appel de chaleur.
- Le cycle de démarrage commence et ne peut pas être interrompu. Pendant le cycle de démarrage, l'afficheur montre les informations suivantes : Un court test où tous les segments de l'afficheur sont visibles.
-

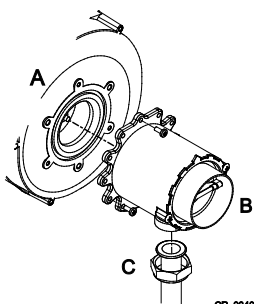
Fxx : Version logicielle.

Pxx : Version paramètre. Les numéros de version sont affichés en alternance.

- Un cycle de purge d'air est ensuite automatiquement effectué pendant 3 minutes.

11.3.1 AVANT LA CONVERSION DE GAZ

Lors de la conversion de gaz naturel (A) au propane (E), avant de calibrer la vanne de gaz, remplacer l'ensemble venturi (B) comme indiqué sur l'image. Pour cela, démonter le tuyau de gaz (écrou fileté « C ») et retirer les trois vis fixant la bride. Après cela, s'assurer qu'il n'y a pas de fuites de gaz.

	GAZ NATUREL (GAZ A)				GAZ PROPANE (GAZ E)				
	VENTURI (Ø)		INJECTEUR (Ø)		VENTURI (Ø)		INJECTEUR (Ø)		
	(po)	(mm)	(po)	(mm)	(po)	(mm)	(po)	(mm)	
LUNA DUO-TEC 1.70	1 3/16	30	7/32	5.3	1 3/16	30	5/32	4	
LUNA DUO-TEC 1.110	1 1/2	38	3/8 / 1/4	9,5/6,4	1 1/2	38	3/16	5	

11.3.2 CONVERSION DE GAZ (GPL)

La chaudière est pré-réglée pour fonctionner sur du gaz naturel (A). En cas de fonctionnement sur du gaz propane, effectuer les opérations suivantes : activer la "Fonction calibrage" pour régler la chaudière pour fonctionner à pleine charge et à charge partielle en mode Chauffage.

- Régler la Vitesse du Ventilateur comme indiqué dans le tableau de la section 14 : Réglages des Paramètres (si nécessaire). Les vitesses du ventilateur peuvent être modifiées en utilisant les paramètres **P17**, **P18** et **P19**.
- Régler le rapport air/gaz (O₂/CO₂%): Pleine charge et Charge partielle comme décrit ci-dessous.

AVERTISSEMENT

Un analyseur de combustion doit être utilisé pour régler correctement la vanne de gaz

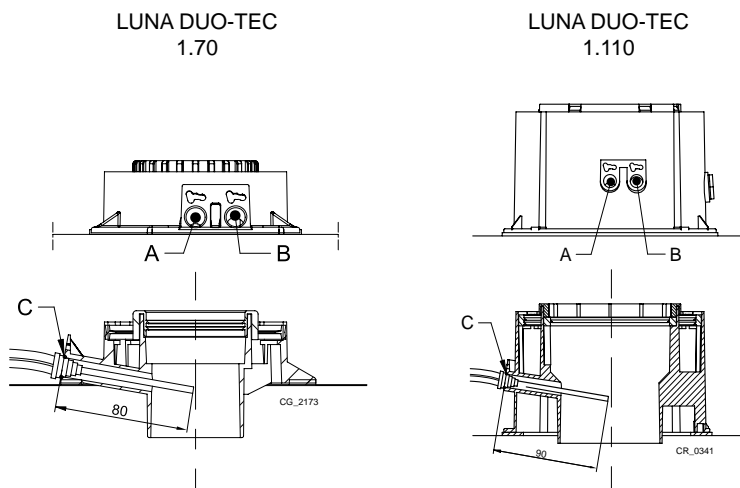
AVIS

Laisser du temps entre les réglages pour que votre analyseur de combustion capte le niveau de CO₂/O₂ modifié. Cette fonction est interrompue si la température aller du chauffage central atteint son MAX. POINT DE CONSIGNE.

Pour mesurer l'efficacité de la combustion et les émissions des produits de la combustion, la chaudière a deux ports de test spéciaux intégrés. Un port de connexion est relié au conduit d'évacuation (A), et permet de surveiller la qualité des produits de combustion et l'efficacité de la combustion. L'autre est relié à l'entrée d'air comburant (B), et peut être utilisé pour vérifier le recyclage des produits de combustion. Les éléments suivants peuvent être mesurés au port de test d'évacuation des fumées :

- température des produits de combustion ;
- concentration d'oxygène (O₂) ou de dioxyde de carbone (CO₂) ;
- concentration de monoxyde de carbone (CO).

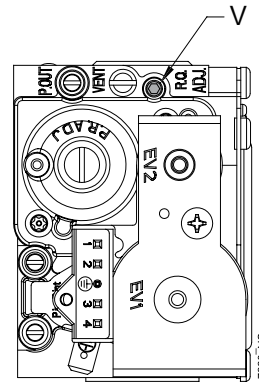
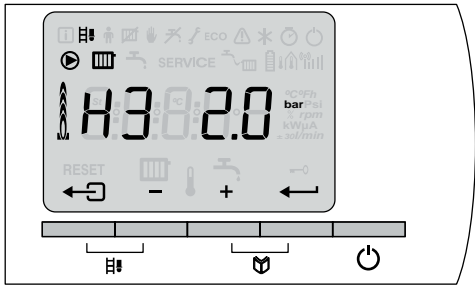
La température de l'air comburant doit être mesurée sur le point de test situé sur le port de test de l'entrée d'air (B) en insérant la sonde de mesure d'environ 3 3/16"/80.00 mm (C) pour LUNA DUO-TEC 1.70 et d'environ 3 1/2" /90.00 mm pour LUNA DUO-TEC 1.110.



Section INSTALLATEUR (fr)

11.3.3 CONFIGURATION DE LA COMBUSTION (FEU □ ÉLEVÉ)

- Dévisser le bouchon du port d'évacuation sur le port de test d'évacuation des fumées.
- Insérer l'analyseur de combustion dans le port de test d'évacuation des fumées, en s'assurant que l'ouverture autour de la sonde de l'analyseur de combustion est complètement fermée lors de la prise des mesures.
- Régler la chaudière sur feu élevé en appuyant sur les deux boutons **H** en même temps. L'afficheur montrera **H3** et le symbole **H** apparaîtra.
- Mesurer le pourcentage de **O₂** ou de **CO₂** dans les gaz de fumée.
- Comparer les valeurs mesurées avec les valeurs dans le tableau ci-dessous. Remarque : Le panneau avant doit être enlevé pour comparer les valeurs.
- Si nécessaire, régler le rapport gaz/air à l'aide de la vis de réglage de feu élevé (**V**). Tourner la vis dans le sens des aiguilles d'une montre pour réduire le niveau de **CO₂** ou dans le sens inverse pour l'augmenter.

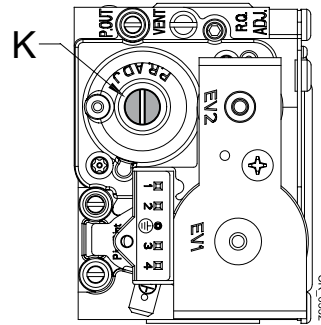
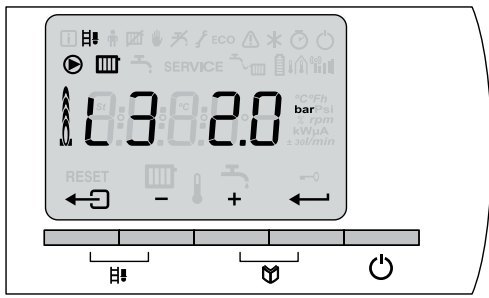


Valeurs de O ₂ /CO ₂ à feu élevé Gaz naturel (A)				
Type de chaudière	Valeur nominale		Valeur admise	
	O ₂ (%)	CO ₂ (%)	O ₂ (%)	CO ₂ (%)
LUNA DUO-TEC 1.70 / 1.110	4.3	9.3	3.9 - 4.7	9.1 - 9.5

O ₂ /CO ₂ à feu élevé pour Propane (E)				
Type de chaudière	Valeur nominale		Valeur admise	
	O ₂ (%)	CO ₂ (%)	O ₂ (%)	CO ₂ (%)
LUNA DUO-TEC 1.70 / 1.110	5.7	10.0	5.4 - 6.0	9.8 - 10.2

11.3.4 CONFIGURATION DE LA COMBUSTION (FEU □ BAS)

- Dévisser le bouchon du port d'évacuation sur le port de test d'évacuation des fumées.
- Insérer l'analyseur de combustion dans le port de test d'évacuation des fumées, en s'assurant que l'ouverture autour de la sonde de l'analyseur de combustion est complètement fermée lors de la prise des mesures.
- Régler la chaudière sur feu bas en appuyant sur les deux boutons **H** en même temps. Si la chaudière est déjà dans le mode de configuration de la combustion pour feu élevé, appuyer sur le bouton (-) plusieurs fois jusqu'à ce que L3 s'affiche sur l'écran.
- Mesurer le pourcentage de **O₂** ou de **CO₂** dans les gaz de fumée.
- Comparer les valeurs mesurées avec les valeurs dans le tableau ci-dessous. Remarque : Le panneau avant doit être enlevé pour comparer les valeurs.
- Si nécessaire, régler le rapport gaz/air à l'aide de la vis de réglage (**K**). Tourner la vis dans le sens des aiguilles d'une montre pour augmenter le niveau de **CO₂** ou dans le sens inverse pour le diminuer.



Valeurs de O ₂ /CO ₂ à feu bas Gaz naturel (A)				
Type de chaudière	Valeur nominale		Valeur admise	
	O ₂ (%)	CO ₂ (%)	O ₂ (%)	CO ₂ (%)
LUNA DUO-TEC 1.70	5.7	8.5	5.4 - 6.1	8.3 - 8.7
LUNA DUO-TEC 1.110	4.8	9.0	4.5 - 5.2	8.8 - 9.2

Valeurs de O ₂ /CO ₂ à feu bas pour Propane (E)				
Type de chaudière	Valeur nominale		Valeur admise	
	O ₂ (%)	CO ₂ (%)	O ₂ (%)	CO ₂ (%)
LUNA DUO-TEC 1.70 / 1.110	6.4	9.6	6.1 - 6.7	9.4 - 9.8

11.4 PROGRAMMATION PARAMÈTRES

Le panneau de contrôle de la chaudière est réglé pour les installations de chauffage les plus courantes. Avec ces réglages, la plupart des installations de chauffage fonctionne correctement ; cependant, l'installateur peut régler les paramètres selon ses préférences.

Paramètre	Description	Plage de réglage	Réglage d'usine	
			1.70	1.110
P1	Température aller max pour le mode chauffage (Température réglée)	68 à 176°F 20 à 80°C	176 °F/80 °C	
P2	Point de consigne max température ECS	104 à 149°F 40 à 65 °C	140 °F/60 °C	
P3	Interrupteur on/off fonction chauffage/ECS	0 = Chauffage éteint / ECS éteinte 1 = Chauffage allumé / ECS allumée 2 = Chauffage allumé / ECS éteinte 3 = Chauffage éteint / ECS allumée	2	
P4	Préchauffage d'un échangeur à plaques ECS	0 = Toujours allumé 1 = Toujours éteint 2 = Contrôleur	2	
P5	Anticipateur thermostat on/off	0 = Non 1 = Oui	0	
P6	Type d'informations sur l'afficheur	0 = Simple 1 = Étendue 2 = Automatique 3 = Automatique + Verrouillage des touches	1	

P7	Temporisation pompe chauffage	1 à 98 minutes 99 minutes = continu	3	
P8	Luminosité de l'afficheur lorsque le rétroéclairage est activé	0 = Faible 1 = Forte	1	
P17	Vitesse max du ventilateur pendant le mode chauffage (0-2000pi)*	Gaz naturel(1) (x100 tr/min)	64	73
		Propane (x100 tr/min)	63	71
P18	Vitesse max du ventilateur pendant le mode ECS (0-2000pi)*	Gaz naturel(1) (x100 tr/min)	64	73
		Propane (x100 tr/min)	63	71
P19	Vitesse minimum du ventilateur pendant le mode chauffage + ECS	Gaz naturel(1) (x100 tr/min)	16	12
		Propane (x100 tr/min)	15	12
P20	Vitesse de décalage du ventilateur sur feu bas	Gaz naturel(1) (x100 tr/min)	0	0
		Propane	0	0
P21	Vitesse du ventilateur au départ de la chaudière	(x100 tr/min)	30	
P22	Pression de l'eau minimum pour notification	0 à 3 bar (x 0.1 bar) 0 à 43.5psig (x 0.1 psig)	7.3psig/0.5 bar	
P23	Température aller maximum pour le système de chauffage	32 à 176°F 0 à 80°C	176°F/80°C	
P24	Cycle court hystérésis chauffage	5 à 59°F -15 à 15°C	0	
P25	Température extérieure maximum (à utiliser seulement avec une sonde de température extérieure)	32 à 86°F 0 à 30°C	68°F/20°C	
P26	Température aller chauffage minimum (à utiliser seulement avec une sonde de température extérieure)	32 à 176°F 0 à 80 °C (Seulement avec un capteur de température extérieure)	68°F/20°C	
P27	Température extérieure minimum (à utiliser seulement avec une sonde de température extérieure)	-22 à 32°F -30 à 0°C (Seulement avec un capteur de température extérieure)	5°F/-15°C	
P28	Contrôle de la pompe, vitesse minimum chauffage	2 - 10 (x 10 %)	7	
P29	Contrôle de la pompe, vitesse maximum chauffage	2 - 10 (x 10 %)	10	
P30	Température extérieure minimum pour la protection contre le gel	-22 à 32°F -30 à 0°C	14°F/-10°C	
P31	Fonction Legionella	0 = Non 1 = Oui 2 = Contrôleur	1	
P32	Δt point de consigne pour chauffage du réservoir indirect	32 à 77°F 0 à 25°C	68°F/20°C	
P33	Allumer hystérésis du capteur du réservoir indirect d'ECS	35,6 à 59°F 2 à 15°C	41°F/5°C	
P34	Stand-by soupape à 3 voies : Chauffage ou ECS	0 = Chauffage 1 = ECS	0	
P35	Informations relatives au fabricant	0 = Solo (+chaudière) 1 = Chaleur industrielle	0	
P36	Blocage de la fonction d'entrée	0 = Activation chauffage 1 = Blocage sans protection contre le gel 2 = Blocage avec protection contre le gel 3 = Verrouillage avec protection contre le gel	1	

P37	Déblocage de la fonction d'entrée	0 = Activation ECS 1 = Déblocage du brûleur	1
P38	Temps d'attente pour un signal de déblocage valide	0 à 255 secondes 0 = Désactivé	0
P39	Temps d'attente pour la vanne de gaz	0 à 255 secondes	0
P40	Position depuis le relais signal alarme/fonctionnement (relais d'état SCU02 PCB)	0 = Signal de fonctionnement 1 = Signal d'erreur	1
P41	Informations relatives au fabricant	0 = non 1 = oui	0
P42	Informations relatives au fabricant	0 = Non 1 = Oui	0
P43	Détection polarité puissance L-N activée	0 = Non 1 = Oui	0
P44	Notification de service pour l'entretien de la chaudière	0 = Éteinte 1 = ABC 2 = Personnalisée	0
P45	Heures de fonctionnement pour la chaudière branchée à une source d'alimentation	1 à 255 (x 100h)	175
P46	Heures de fonctionnement pour le brûleur de la chaudière	1 à 255 (x 100h)	30
P47	Modulation lorsque $\Delta T >$ ce paramètre	41 à 140°F 5 à 60°C	160%/60°C
P48	Temps de stabilisation ECS	10 à 100 secondes	30
P49	Unités d'affichage	0 = Métriques 1 = Impériales	1
P50	Facteur de calcul de la température aller moyenne	1 à 255 secondes	1
P51	Limite de température du gaz de fumée	1 = CPVC 0°C / 176°F 2 = PP/SS 110°C / 230°F	1
P52	Capteur de la pression de l'air	0 : Éteint 1 : Allumé	0
P53	Mode temporisation ECS	0 : Aucune 1 : Absolue	1
P54	Temporisation ECS	10 à 180 minutes	150
P55	Temps priorité chauffage	10 à 180 minutes	120
P56	RPM après une perte de flamme	10 à 30 (*100 rpm)	20
Ad	Détection des SCU connectées	0 = Aucune détection 1 = Détection	0

⁽¹⁾ Ne pas modifier ces réglages d'usine à moins que ce ne soit absolument nécessaire. Par ex. pour adapter la chaudière à : Propane (gaz E)





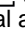

* Se référer à la section 2.2 : Réglages des paramètres pour une altitude élevée.

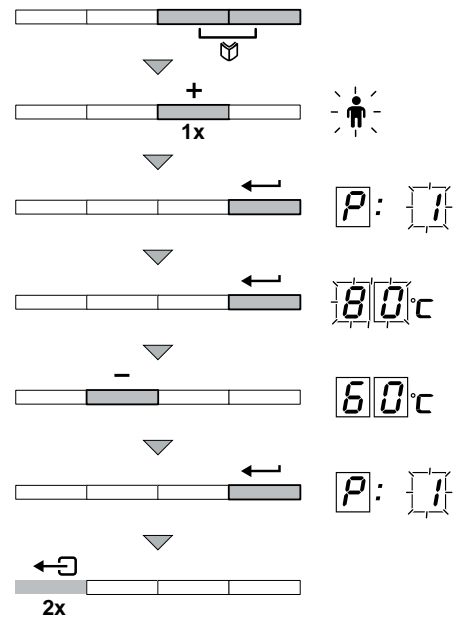
11.4.1 PARAMÈTRES DE NIVEAU UTILISATEUR

Les paramètres **P1** à **P8** peuvent être modifiés par l'utilisateur final pour répondre à des besoins en matière de confort d'installation de chauffage et d'ECS.

⚠ ATTENTION

La modification des paramètres d'usine peut nuire au fonctionnement de la chaudière.

- Appuyer sur les deux boutons du Menu  simultanément puis sur le bouton (+) jusqu'à ce que le symbole  clignote sur la barre de menu.
- Sélectionner le menu utilisateur à l'aide du bouton , (**P1**) affiché avec le "1" clignotant.
- Appuyer sur le bouton , une deuxième fois, la valeur de la température aller du chauffage central apparaît et clignote. p. ex. **80 °C** (176 °F).
- Changer la valeur en appuyant sur le bouton (-) ou sur le bouton (+). Dans cet exemple à l'aide du bouton (-) jusqu'à **60 °C** (140 °F).
- Confirmer la valeur avec le bouton , (**P1**) est affiché avec 1 clignotant.
- Appuyer sur le bouton  2 fois pour revenir au mode de fonctionnement actuel.




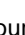
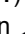




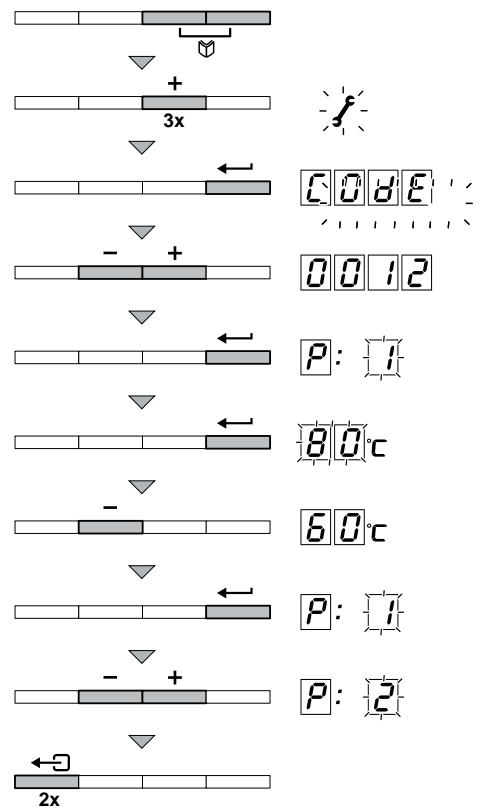
11.4.2 PARAMÈTRES DE NIVEAU INSTALLATEUR

Les paramètres **P17** à **dF (historique code erreur)** doivent être modifiés seulement par un professionnel qualifié. Afin d'empêcher des réglages non voulus, certains réglages de paramètres peuvent être changés seulement après avoir entré le code d'accès spécial **0012**.

⚠ ATTENTION

La modification des paramètres d'usine peut nuire au fonctionnement de la chaudière.

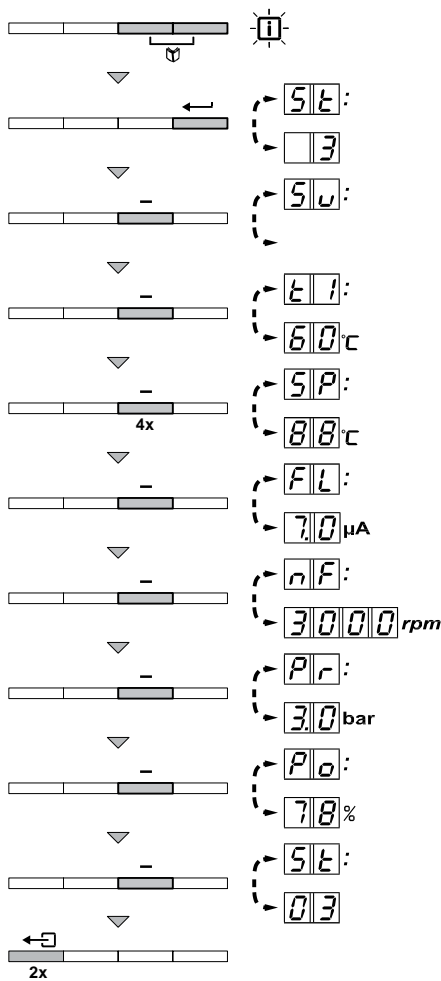
- Appuyer sur les deux boutons du Menu  simultanément puis sur le bouton (+) jusqu'à ce que le symbole  clignote sur la barre de menu.
- Sélectionner le menu INSTALLATEUR en utilisant le bouton , "CODE" apparaît sur l'afficheur.
- Utiliser le bouton (-) ou (+) pour entrer le code installateur "0012".
- Confirmer avec le bouton , **P1** est affiché avec 1 clignotant.
- Appuyer sur le bouton , une deuxième fois, la valeur apparaît et clignote ex. **80 °C** (176 °F).
- Changer la valeur en appuyant sur le bouton [-] ou [+]. Dans cet exemple, le bouton [-] est utilisé pour changer la valeur à **60 °C** (140 °F).
- Confirmer la valeur avec le bouton , **P1** est affiché avec 1 clignotant. Si nécessaire, régler les autres paramètres en les sélectionnant à l'aide du bouton (-) ou (+).
- Appuyer sur le bouton  2 fois pour revenir au mode de fonctionnement actuel.



11.5 LECTURE DES VALEURS MESURÉES

Les valeurs actuelles suivantes peuvent être lues dans le menu d'information **i** :

- **St** = État.
- **Su** = Sous-état.
- **t1** = Température aller °F/°C
- **t2** = Température retour °F/°C
- **t3** = Température réservoir ECS °F/°C
- **t4** = Température extérieure °F/°C (Seulement avec une sonde de température extérieure : en option)
- **t5** = Température chaudière solaire °F/°C
- **t6** = Température gaz de fumée °F/°C
- **Sp** = Point de consigne interne °F/°C
- **Fl** = Courant d'ionisation (µA)
- **ñf** = Vitesse du ventilateur en tr/min
- **Pr** = Pression de l'eau psi/bar
- **Po** = Puissance thermique relative fournie (%).



Les valeurs du capteurs peuvent être lues selon les instructions


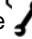




1. Appuyer sur les deux **↵** boutons simultanément. Le symbole **i** clignote.
2. Confirmer à l'aide du bouton **←** **St** s'affiche, en alternance avec l'état actuel. p. ex. 3
3. Appuyer sur le bouton **+**, **Su** s'affiche, en alternance avec le sous-état p. ex. **30**
4. Appuyer sur le bouton **+**, **t1** s'affiche, en alternance avec la température de **60°C**
5. Appuyer sur le bouton **+** et successivement pour parcourir les différents paramètres **t2**, **t3**, **t4**, **t5**, **t6**
6. Appuyer sur le bouton **+**, **Sp** s'affiche, en alternance avec le point de consigne p. ex. **88°C**
7. Appuyer sur le bouton **+**, **Fl** s'affiche, en alternance avec le courant d'ionisation p. ex. **7.0 µA**
8. Appuyer sur le bouton **+**, **ñf** s'affiche, en alternance avec la vitesse du ventilateur p. ex. **3000 rpm**
9. Appuyer sur le bouton **+**, **Pr** s'affiche, en alternance avec la pression de l'eau p. ex. **3.0 bar**
10. Appuyer sur le bouton **+**, **Po** s'affiche, en alternance avec le pourcentage de modulation p. ex. **78%**
11. Appuyer sur le bouton **+**, le cycle de lecture recommence avec **St**
12. Appuyer sur **←** le bouton 2 fois pour revenir au mode de fonctionnement

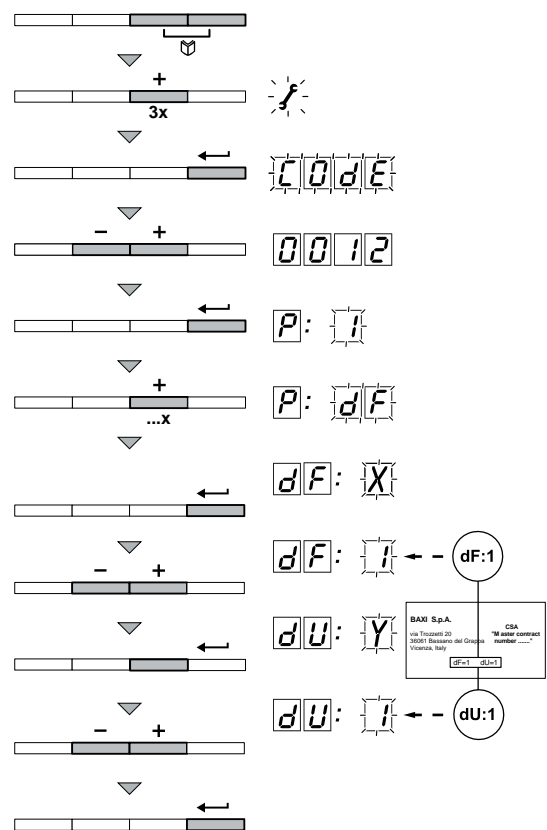
11.6 ÉTAT ET SOUS-ÉTAT

Le menu d'information **i** donne les numéros d'états et sous-états suivants :

État (Ét)		Sous-état (Sé)	
0	Repos	0	Repos
1	Départ de la chaudière (demande de chaleur)	1	Pré-purge courte du ventilateur
		2	Démarrer la soupape à trois voies
		3	Démarrer la pompe
		4	le logiciel vérifie les températures du capteur avant le démarrage du brûleur
2	Démarrage du brûleur	10	Ouvrir le clapet de gaz de fumée/la vanne de gaz extérieur
		11	Augmenter la vitesse du ventilateur
		13	Pré-purge
		14	Attente du signal de déblocage de la connexion RL
		15	Brûleur allumé
		17	Pré-allumage
		18	Allumage
		19	Détection de flamme
3	Brûleur allumé (mode chauffage)	20	Ventilation intermédiaire
		30	Contrôle de la température
		31	Contrôle limité de la température (sécurité ΔT)
		32	Sortie contrôlée par un signal 0-10 v
		33	Gradient de protection de température niveau 1 (Modulation)
		34	Gradient de protection de température niveau 2 (feu bas)
		35	Gradient de protection de température niveau 3 (Blocage)
		36	Modulation pour le contrôle de flamme
		37	Temps de stabilisation température
4	Brûleur allumé (mode ECS)	38	Démarrage à froid
		30	Contrôle de la température
		31	Contrôle limité de la température (sécurité ΔT)
		32	Contrôle de la sortie
		33	Gradient de protection de température niveau 1 (Modulation)
		34	Gradient de protection de température niveau 2 (feu bas)
		35	Gradient de protection de température niveau 3 (Blocage)
		36	Modulation pour le contrôle de flamme
5	Arrêt du brûleur	37	Temps de stabilisation température
		40	Brûleur éteint
		41	Post-purge
		42	Fermer le clapet de gaz de fumée/la vanne de gaz extérieur
		43	Protection recirculation (vérifie que la vanne de gaz est fermée)
6	Arrêt de la chaudière (fin de la demande de chaleur)	44	Arrêt du ventilateur
		60	Post-circulation pompe
		61	Pompe éteinte
		62	Démarrer la soupape à trois voies
8	Arrêt	63	Compteur de cycles courts activé
		0	Attendre le démarrage du brûleur
9	Verrouillage	1	Fonction de protection cycles courts
17	Désaération/purge de l'air	xx	Arrêt codexx
		0	Repos
		2	Démarrer la soupape à trois voies
		3	Démarrer la pompe
61	Désaération/purge de l'air	61	Pompe éteinte
		61	Démarrer la soupape à trois voies

11.7 RETOUR AUX PARAMÈTRES D'USINE


- Appuyer sur les deux boutons du Menu  simultanément puis sur les boutons (+) jusqu'à ce que le symbole  clignote sur la barre de menu.
- Sélectionner le menu **INSTALLATEUR** en utilisant le . "COdE" apparaît sur l'afficheur.
- Utiliser le bouton (-) ou (+) pour entrer le code installateur "0012".
- Confirmer en utilisant le bouton. "P:1" est affiché avec 1 clignotant.
- Appuyer sur le bouton [+] plusieurs fois **p:df** s'affiche avec **df** clignotant.
- Appuyer sur le bouton , **df:x** s'affiche avec x clignotant. C'est la valeur actuelle de X pour **df**. La comparer avec la valeur de X sur la plaque signalétique.
- Insérer la valeur de X indiquée sur la plaque signalétique en utilisant le bouton [-] ou [+].
- Confirmer la valeur avec le bouton , **df:y** est affiché avec y clignotant. C'est la valeur actuelle de Y pour **df**. La comparer avec la valeur de Y sur la plaque signalétique.
- Insérer la valeur de Y indiquée sur la plaque signalétique en utilisant le bouton [-] ou [+].
- Confirmer la valeur avec le bouton . Les réglages d'usine sont rétablis.
- L'afficheur revient au mode de fonctionnement en cours.

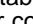


12. CODES ERREUR

La chaudière est dotée d'une unité de contrôle et de réglage électronique. Le cœur du système de contrôle est un microprocesseur, le Comfort Master®, qui commande la chaudière et la protège. Si une erreur est détectée n'importe où dans la chaudière, la chaudière se verrouille et l'afficheur montrera le code d'erreur comme suit :

Dans un afficheur rouge clignotant :

- Le symbole 
- Le symbole RESET
- Le code d'erreur (par exemple E:01)

La description des codes d'erreur est donnée dans le tableau d'erreur ci-dessous. Pour réinitialiser un code d'erreur, appuyer sur le bouton  pendant 2 secondes. Si le code d'erreur continue à s'afficher, chercher la cause dans le tableau d'erreur et suivre les instructions données dans la section solution.


Code erreur	Description	Causes probables	Vérification / Solution
E00	Unité de stockage PSU paramètre non trouvé	Mauvaise connexion	Vérifier le câblage
E01	Les paramètres de sécurité sont incorrects	Mauvaise connexion PSU défectueux	Vérifier le câblage Remplacer PSU
E02	Capteur de température d'aller court-circuité	Mauvaise connexion Erreur du capteur Capteur mal ou non connecté	Vérifier le câblage Vérifier que les capteurs fonctionnent correctement Vérifier que le capteur a été inséré correctement Le cas échéant, remplacer le capteur
E03	Capteur de température d'aller en circuit ouvert	Mauvaise connexion Erreur du capteur Capteur mal ou non connecté	Vérifier le câblage Vérifier que les capteurs fonctionnent correctement Vérifier que le capteur a été inséré correctement Le cas échéant, remplacer le capteur
E04	Température de l'échangeur de chaleur trop basse.	Mauvaise connexion	Vérifier le câblage Le cas échéant, remplacer le capteur
E05	Température de l'échangeur trop haute	Erreur du capteur Capteur mal ou non connecté Aucune circulation	Purger l'air dans le système de chauffage Vérifier la circulation de l'eau (direction, pompe, vannes) Vérifier la pression d'eau Vérifier que les capteurs fonctionnent correctement Vérifier que les capteurs ont été insérés correctement Vérifier la propreté de l'échangeur de chaleur
E06	Capteur de température de retour court-circuité	Mauvaise connexion Erreur du capteur Capteur mal ou non connecté	Vérifier le câblage Vérifier que le capteur a été inséré correctement Vérifier que les capteurs fonctionnent correctement

E07	Capteur de température de retour en circuit ouvert	Mauvaise connexion Erreur du capteur Capteur mal ou non connecté	Vérifier le câblage Vérifier que le capteur a été inséré correctement Vérifier que les capteurs fonctionnent correctement
E08 E09	Température de retour trop basse Température de retour trop haute	Mauvaise connexion Erreur du capteur Capteur mal ou non connecté Aucune circulation	Vérifier le câblage Le cas échéant, remplacer le capteur Purger l'air dans le système de chauffage Vérifier la circulation de l'eau (direction, pompe, vannes) Vérifier la pression d'eau Vérifier que les capteurs fonctionnent correctement Vérifier que les capteurs ont été insérés correctement Vérifier la propreté de l'échangeur de chaleur
E10 E11	Différence de température entre les températures d'aller et de retour trop élevée	Erreur du capteur Capteur mal ou non connecté Aucune circulation	Le cas échéant, remplacer le capteur Purger l'air dans le système de chauffage Vérifier la circulation de l'eau (direction, pompe, vannes) Vérifier la pression d'eau Vérifier que les capteurs fonctionnent correctement Vérifier que les capteurs ont été insérés correctement Vérifier la propreté de l'échangeur de chaleur Vérifier que la pompe thermique fonctionne correctement
E12	Température de l'échangeur de chaleur est au-dessus de la plage normale (thermostat limiteur STB)	Mauvaise connexion Erreur du capteur Capteur mal ou non connecté Aucune circulation	Vérifier le câblage Le cas échéant, remplacer le capteur Purger l'air dans le système de chauffage Vérifier la circulation de l'eau (direction, pompe, vannes) Vérifier la pression d'eau Vérifier que les capteurs fonctionnent correctement Vérifier que les capteurs ont été insérés correctement Vérifier la propreté de l'échangeur de chaleur Vérifier que le paramètre P35 a été réglé correctement
E14	5 erreurs de démarrage du brûleur	Pas d'allumage	Vérifier le câblage de l'allumeur Vérifier l'électrode d'ionisation/allumage Vérifier l'état du brûleur Vérifier la mise à la terre Contrôle défectueux PCB SU
		Présence d'étincelle mais pas de formation de flamme	Purger l'alimentation en gaz pour retirer l'air Vérifier que la vanne de gaz est entièrement ouverte Vérifier la pression d'alimentation de gaz Vérifier le fonctionnement et le réglage de la vanne de gaz Vérifier que l'entrée d'air et l'évacuation des fumées ne sont pas bloquées Vérifier le câblage sur la vanne de gaz Contrôle défectueux PCB SU
		Présence de flamme mais ionisation insuffisante (<3 µA)	Vérifier que la vanne de gaz est entièrement ouverte Vérifier la pression d'alimentation Vérifier l'électrode d'ionisation/allumage Vérifier la mise à la terre Vérifier le câblage sur l'électrode d'ionisation/allumage
E16	Faux signal de flamme	Courant d'ionisation présent alors qu'il ne devrait pas y avoir de flamme Transformateur d'allumage défectueux Vanne gaz défectueuse Le brûleur reste très chaud : CO2 trop élevé	Vérifier l'électrode d'ionisation/allumage Vérifier la vanne gaz et la remplacer, le cas échéant. Recalibrer le CO2
E17	Problème sur le PCB SU	Mauvaise connexion PCB SU défectueux	Vérifier le câblage Inspecter le PCB SU et le remplacer, le cas échéant
E34	Erreur du ventilateur	Mauvaise connexion Ventilateur défectueux	Vérifier le câblage Remplacer le ventilateur, le cas échéant Vérifier l'aspiration sur le raccord de la cheminée
E35	Aller et retour inversés	Mauvaise connexion Erreur du capteur Capteur mal ou non connecté Direction de circulation de l'eau inversée	Le cas échéant, remplacer le capteur Vérifier la circulation de l'eau (direction, pompe, vannes) Vérifier que les capteurs fonctionnent correctement Vérifier que les capteurs ont été insérés correctement

E36	Perte de flamme	Pas de courant d'ionisation	Purger l'alimentation en gaz pour retirer l'air Vérifier que la vanne de gaz est entièrement ouverte Vérifier la pression d'alimentation Vérifier le fonctionnement et le réglage de la vanne de gaz Vérifier que l'entrée d'air et l'évacuation des fumées ne sont pas bloquées Vérifier qu'il n'y a pas de recirculation des gaz de fumée
E37	Erreur de communication avec le PCB SU	Mauvaise connexion	Vérifier si le PCB SU a été correctement inséré dans le connecteur sur le PCB PCU
E38	Erreur de communication avec le PCB SCU	Mauvaise connexion PCB SCU défectueux	Vérifier le câblage Remplacer le PCB SCU
E39	Entrée arrêtée en mode verrouillé	Mauvaise connexion Problème extérieur Paramètre réglé de façon incorrecte	Vérifier le câblage Trouver le problème extérieur Vérifier les paramètres
E41	Pas de changement de la température de l'eau lors du fonctionnement de la chaudière pendant la désaération/purge de l'air	Mauvaise connexion Capteur Aller/Retour endommagé Pas de circulation d'eau	Vérifier le branchement de la sonde Remplacer le capteur Vérifier le branchement de la pompe
E42	Capteur pour niveau d'eau bas débranché ou pression de l'eau trop basse	Mauvaise connexion Pression de l'eau basse	Vérifier le câblage Remplir le système Vérifier s'il y a une fuite
E43	Pas de changement de la température de l'eau lors du fonctionnement de la chaudière (brûleur allumé)	Mauvaise connexion Capteur Aller/Retour endommagé Pas de circulation d'eau	Vérifier le branchement de la sonde Remplacer le capteur Vérifier le branchement de la pompe
E44	Différence de température entre les températures d'aller et de retour trop élevée	Mauvaise connexion Capteur Aller/Retour endommagé Pas de circulation d'eau	Vérifier le branchement de la sonde Remplacer le capteur Vérifier le branchement de la pompe


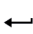
12.1 ARRÊTS ET VERROUILLAGES

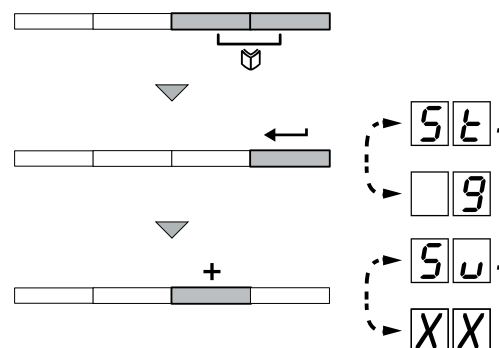
Blocage

Si les conditions de blocage persistent après plusieurs tentatives de démarrage, la chaudière se mettra en mode verrouillage (erreur). La chaudière ne peut recommencer à fonctionner qu'une fois que les causes du verrouillage ont été rectifiées et après avoir appuyé sur le bouton .

Mode Verrouillage

Un verrouillage temporaire causé par un événement inhabituel dans le fonctionnement de la chaudière, par exemple l'afficheur indique un code d'un conduit de fumée bloqué (code St9). La commande de la chaudière essaiera de redémarrer plusieurs fois. La chaudière redémarrera après avoir éliminé les conditions de blocage. Les codes d'arrêt peuvent être lus comme suit :

- Appuyer sur les deux boutons  simultanément.
- Confirmer en appuyant sur le bouton . "St" s'affiche, en alternance avec le code d'arrêt "9".
- Appuyer sur le bouton (+). "Su" apparaît sur l'afficheur.



AVIS

La chaudière redémarre automatiquement lorsque la raison du blocage a été éliminée.

Code arrêt	Description	Causes probables	Vérification / Solution
Su : 0	Erreur de paramètre	Erreur de paramètre sur le PCB PSU	Réinitialiser df et dU Rétablir les paramètres
Su : 1	Température d'alimentation maximum dépassée	Circulation inexistante ou insuffisante	Vérifier la circulation (direction, pompe, vannes) Raisons pour la demande de chaleur
Su : 2	Augmentation maximum de la température aller dépassée	Circulation inexistante ou insuffisante Erreur de capteur	Vérifier la circulation (direction, pompe, vannes) Vérifier la pression d'eau Vérifier que les capteurs fonctionnent correctement Vérifier que le capteur a été inséré correctement Vérifier la propreté de l'échangeur de chaleur
Su : 7	Différence maximale de température départ/return dépassée	Circulation inexistante ou insuffisante Erreur de capteur	Vérifier la circulation (direction, pompe, vannes) Vérifier la pression d'eau Vérifier que les capteurs fonctionnent correctement Vérifier que le capteur a été inséré correctement Vérifier la propreté de l'échangeur de chaleur
Su : 8	Pas de signal de déblocage	Cause externe Erreur de paramètre Mauvaise connexion	Corriger la cause externe Vérifier les paramètres Vérifier le câblage
Su : 9	Ligne et neutre de l'alimentation secteur mélangés (si P43=1)	Source d'alimentation branchée de manière incorrecte Circuit isolé ou à 2 phases	Ligne et neutre mélangés Régler le paramètre p43 sur 0
Su : 10	L'entrée arrêtée est ouverte	Cause externe Erreur de paramètre Mauvaise connexion	Corriger la cause externe Vérifier les paramètres Vérifier le câblage
Su : 11	L'entrée arrêtée est activée ou la protection contre le gel est activée	Cause externe Erreur de paramètre Mauvaise connexion	Corriger la cause externe Vérifier les paramètres Vérifier le câblage
Su : 13	Erreur de communication avec le PCB SCU	Mauvaise connexion avec BUS PCB SCU pas installé dans la chaudière	Vérifier le câblage Effectuer la détection automatique pour trouver un aux. PCB
Su : 15	Pression du gaz trop basse	Pression du gaz inexistante ou insuffisante Réglage incorrect du Gps interrupteur de pression du gaz sur le PCB SCU	Vérifier que la vanne de gaz est entièrement ouverte Vérifier la pression d'alimentation Vérifier si le système de contrôle de pression du gaz Gps a été inséré correctement Remplacer le système de contrôle de pression du gaz Gps, le cas échéant
Su : 16 ⁽¹⁾	Erreur de configuration ou PCB SU non reconnu	Mauvais PCB SU pour cette chaudière	Remplacer le PCB SU
Su : 17 ⁽¹⁾	Erreur de configuration ou tableau de paramètre de défaut incorrect	Erreur de paramètre "dF-dU" sur le PSU PCB	Réinitialiser df et dU Rétablir les paramètres
Su : 18 ⁽¹⁾	Erreur de configuration ou PCB PSU non reconnu	Mauvais PCB PSU pour cette chaudière	Remplacer le PSU PCB
Su : 19 ⁽¹⁾	Erreur de configuration ou paramètres "dF-dU" inconnus	---	Réinitialiser df et dU Rétablir les paramètres
Su : 20 ⁽¹⁾	Identification en cours d'exécution	---	Aucune action requise
Su : 21	Erreur de communication avec le PCB SU	Mauvaise connexion	Vérifier si le PCB SU a été correctement inséré dans le connecteur sur PCB SU

Su : 22	Pas de flamme pendant le fonctionnement	Pas de courant d'ionisation	Purger l'alimentation en gaz pour retirer l'air Vérifier que la vanne de gaz est entièrement ouverte Vérifier la pression d'alimentation Vérifier le fonctionnement et le réglage de la vanne de gaz Vérifier que l'entrée d'air et l'évacuation des fumées ne sont pas bloquées Vérifier qu'il n'y a pas de recirculation des gaz de combustion
Su : 25 ⁽¹⁾	Erreur interne sur le PCB SU	---	Remplacer le PCB SU
Su : 29 ⁽²⁾	Capteur tFG au-dessus du point de consigne maximal	Circulation inexistante ou insuffisante / erreur de capteur	Remplacer la limite supérieure des fumées. Vérifier la circulation (direction, pompe, vannes) Vérifier la pression d'eau Vérifier que les capteurs fonctionnent correctement Vérifier que le capteur a été inséré correctement
Su : 30 ⁽²⁾	Pas de capteur tFG connecté / arrêt de la chaudière coupé	Limite supérieur fumées débranchée / Erreur de capteur	Remplacer la limite supérieure des fumées.
Su : 33	après 5 fois tF>tF Max : arrêt contrôlé	Circulation inexistante ou insuffisante / erreur de capteur	Remplacer le capteur aller. Vérifier la circulation (direction, pompe, vannes) Vérifier la pression d'eau Vérifier que les capteurs fonctionnent correctement Vérifier que le capteur a été inséré correctement
Su : 34 ⁽²⁾	après 5 fois tFG>tFmax : arrêt contrôlé	Circulation inexistante ou insuffisante / erreur de capteur	Remplacer la limite supérieure des fumées. Vérifier la circulation (direction, pompe, vannes) Vérifier la pression d'eau Vérifier que les capteurs fonctionnent correctement Vérifier que le capteur a été inséré correctement
Su : 35	Gradient insuffisante T1 (départ) ou T2 (return) après l'allumage du brûleur	Circulation inexistante ou insuffisante Erreur de capteur	Vérifier la circulation (direction, pompe, vannes) Vérifier la pression d'eau Vérifier que les capteurs fonctionnent correctement Vérifier que le capteur a été inséré correctement Vérifier la propreté de l'échangeur de chaleur

(1) Ces verrouillages ne sont pas stockés dans la mémoire des défauts

(2) tFG : capteur de gaz de fumée.

12.2 MÉMOIRE D'ERREUR

La commande de la chaudière est équipée d'une mémoire d'erreur qui enregistre les 16 dernières erreurs. En plus de stocker les codes d'erreur, les informations suivantes sont enregistrées aussi :

- Nombre de fois que l'erreur s'est produite : (**n:xx**).
- Mode de fonctionnement de la chaudière sélectionné (**St:xx**).
- La température aller (**t1:xx**) et la température retour (**t2:xx**) lorsque l'erreur s'est produite.

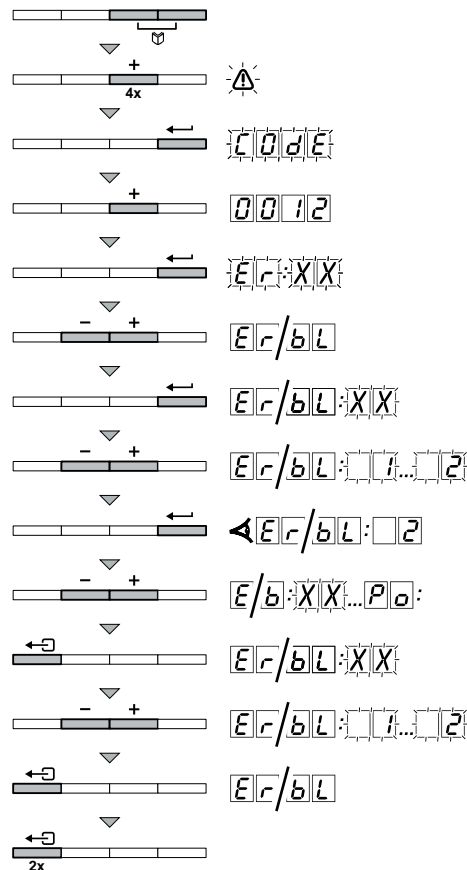
Pour voir la mémoire d'erreur, vous devez d'abord entrer le code d'accès **0012**.

12.2.1 LECTURE DE LA MÉMOIRE D'ERREUR

- Appuyer sur les deux boutons simultanément puis sur le bouton (+) jusqu'à ce que le symbole clignote sur la barre de menu.
- Sélectionner le menu installateur en utilisant le bouton . "CODE" apparaît sur l'afficheur.
- Utiliser le bouton (-) ou (+) pour entrer le code installateur **0012**.
- Appuyer sur le bouton . "Er:xx" apparaît sur l'afficheur.
- La liste d'erreurs peut être affichée en appuyant sur le bouton (-) ou (+).
- Confirmer en utilisant le bouton . "Er:xx" est affiché avec "xx" clignotant = Dernière erreur survenue, par exemple "2".
- Utiliser le bouton (-) ou (+) pour parcourir les erreurs.
- Appuyer sur le bouton pour afficher les détails des erreurs ou des arrêts.
- Appuyer sur les boutons (-) ou (+) pour voir les informations suivantes :

- n:1** = Nombre de fois que l'erreur s'est produite.
- hr** = Le nombre d'heures de fonctionnement.
- St** = État.
- Su** = Sous-état.
- t1** = Température aller °F/°C.
- t2** = Température retour °F/°C.
- t3** = Température réservoir ECS °F/°C.
- t4** = Température extérieure °F/°C (Seulement avec une sonde de température extérieure).
- t5** = Température panneau solaire °F/°C.
- t6** = Température gaz de fumée °F/°C.
- Sp** = Point de consigne interne °F/°C. fl = Courant d'ionisation (µA).
- nf** = Vitesse du ventilateur en tr/min.
- Pr** = Pression de l'eau psi/bar.
- Po** = Puissance thermique relative fournie (%).

- Appuyer sur le bouton pour interrompre le cycle d'affichage. "Er:xx" est affiché avec "xx" clignotant = Dernière erreur survenue.
- Utiliser le bouton (-) ou (+) pour parcourir les erreurs.
- Appuyer sur le bouton pour montrer la liste d'erreurs.
- Appuyer sur le bouton 2 fois pour sortir de la mémoire d'erreur.



13. ENTRETIEN

13.1 ENTRETIEN DE ROUTINE

Afin de maintenir un bon fonctionnement de la chaudière, il est recommandé d'effectuer des vérifications et des entretiens nécessaires à intervalles réguliers. La fréquence des entretiens dépend des conditions particulières d'installation et d'emploi, mais en général une fois par an est adéquate.

Le fabricant recommande que toute opération d'entretien soit effectuée par un technicien titulaire d'un permis.

ATTENTION

Étiqueter tous les câbles avant de les déconnecter lors des opérations d'entretien. Toute erreur de câblage peut provoquer un fonctionnement erroné et dangereux de l'installation.

REMARQUES IMPORTANTES AVANT L'ENTRETIEN



AVERTISSEMENT

L'isolation de la chambre de combustion de ce produit contient de la fibre céramique. Les fibres céramiques peuvent être converties en cristobalite lors d'applications à très haute température. L'Agence internationale pour la recherche contre le cancer (The International Agency for Research on Cancer - IARC) a conclu que « La silice cristalline inhalée sous la forme de quartz ou cristobalite lors de l'activité professionnelle est cancérigène pour les humains (Groupe 1). Éviter de respirer la poussière et tous contacts avec la peau et les yeux. Utiliser un respirateur anti-poussière certifié NIOSH (N95). Ce type de respirateur est conforme aux exigences d'OSHA pour la cristobalite au moment que ce document a été écrit. D'autres types de respirateurs peuvent être nécessaires en fonction des conditions de travail. Les recommandations NIOSH actuelles sont disponibles sur le site Internet de NIOSH <http://www.cdc.gov/niosh/homepage.html>. Les respirateurs, fabricants, et numéros de téléphone approuvés par NIOSH sont aussi indiqués sur le site. Porter des manches longues, des vêtements larges, des gants et des lunettes de protection. Appliquer assez d'eau sur le revêtement de la chambre de combustion pour éviter la poussière. Laver les vêtements potentiellement contaminés séparément des autres vêtements. Rincer soigneusement le lave-linge.

Premiers soins recommandés par NIOSH.

Yeux : laver immédiatement

Respiration : air frais.

- Vérifier le terminal de fumée à l'extérieur et s'assurer qu'il n'est pas bloqué.
- Mettre la chaudière en marche et vérifier l'état de service des commandes.
- S'assurer que toutes les connexions et parties de l'installation sont en bon état. Refaire tous raccords et vérifier l'étanchéité des composants qui peuvent avoir une fuite.
- Il est recommandé de vérifier le fonctionnement de la soupape de sécurité en soulevant la manette en haut de la soupape pour permettre l'écoulement de l'eau, vérifier que cela ait effectivement lieu.

Pour assurer une efficacité maximale de la chaudière, il faut effectuer les vérifications suivantes une fois par an :

- vérifier l'apparence et l'étanchéité des joints du circuit de gaz et du circuit de combustion ;
- vérifier l'état et la position de l'électrode d'allumage et de détection de flamme
- vérifier l'état du brûleur et s'assurer qu'il est fixé à la bride en aluminium
- vérifier s'il y a d'éventuelles impuretés à l'intérieur de la chambre de combustion. Utiliser un aspirateur pour nettoyer la chambre de combustion
- vérifier l'étalonnage de la vanne gaz ;
- vérifier qu'il n'y ait pas d'impureté dans le du bac à condensats ;
- vérifier la pression de l'installation de chauffage central ;
- vérifier la pression du vase d'expansion ;
- vérifier le système de ventilation et, le cas échéant, le nettoyer.

Enregistrer les détails de l'entretien dans la section « HISTORIQUE DE L'ENTRETIEN » à la dernière page de la présente notice.



AVERTISSEMENT

Avant toute opération d'entretien sur la chaudière, couper l'alimentation électrique et fermer le robinet d'alimentation en gaz de la chaudière. Attendre que la chaudière ait refroidi. Après l'entretien, vérifier toujours l'étanchéité au gaz des composants où passe le gaz. Après l'entretien, vérifier le bon fonctionnement.

13.2 REMPLACEMENT DE COMPOSANTS ET NETTOYAGE PÉRIODIQUE

La loi prévoit que toute opération d'entretien soit effectuée par un technicien qualifié.



AVERTISSEMENT

Avant de remplacer tout élément de la chaudière, couper l'alimentation électrique et fermer le robinet d'alimentation en gaz de la chaudière. Attendre que la chaudière ait refroidi. Vérifier toujours s'il y a des fuites de gaz après le remplacement de tout composant où passe le gaz ou après intervention sur les raccords de gaz. Vérifier le fonctionnement de la chaudière S'assurer que toutes les commandes sont rétablies à leurs réglages initiaux.

NETTOYAGE DE LA CHAUDIÈRE

- Enlever tous dépôts de l'échangeur thermique en utilisant une brosse douce adaptée. Ne pas utiliser de brosse métallique.
- Vérifier l'état des panneaux d'isolation de la chambre de combustion. Tous les panneaux endommagés doivent être remplacés.
- Vérifier l'état des injecteurs du brûleur sur le collecteur, les nettoyer soigneusement, utiliser une brosse douce, le cas échéant. Ne jamais utiliser de brosse métallique, cela pourrait endommager les injecteurs.
- Enlever tous les dépôts tombés au fond de l'appareil.
- Nettoyer le brûleur avec une brosse douce et vérifier que les orifices de sortie de flamme ne soient pas obstrués. Le cas échéant, utiliser une brosse plus dure pour enlever les obstructions.
- Vérifier l'état des électrodes.
- Vérifier la distance de l'étincelle, le positionnement et la hauteur des électrodes.
- Vérifier que le rotor du ventilateur soit propre et tourne librement.

13.2.1 VIDANGE DE LA CHAUDIÈRE

Éteindre la chaudière, couper l'alimentation électrique et fermer le robinet d'alimentation en gaz de la chaudière. Attendre que la chaudière ait refroidi.

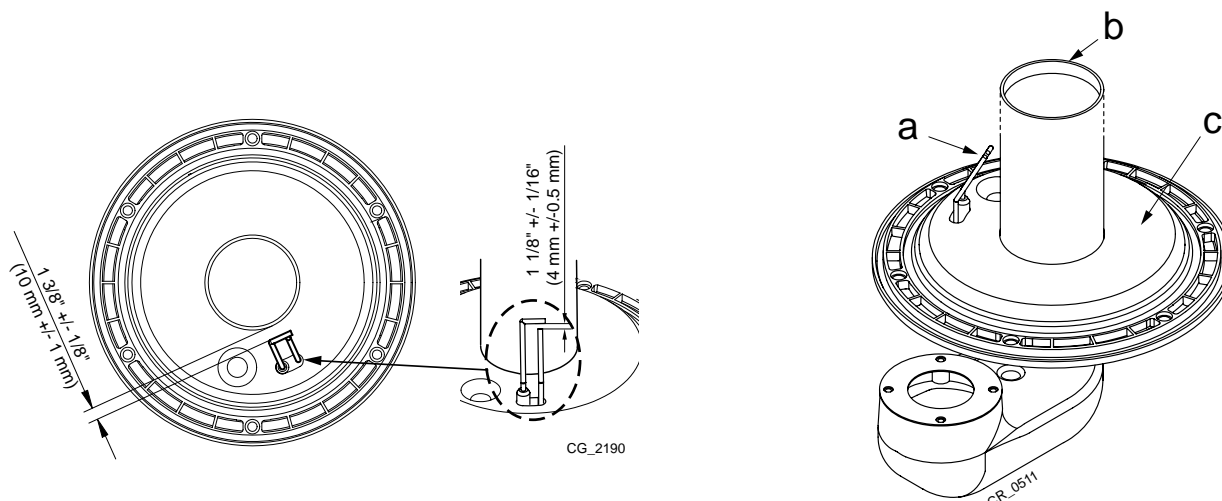
- **Circuit de chauffage**

Fermer les soupapes de départ et de retour du chauffage central. Brancher un tuyau approprié au point de vidange et l'introduire dans un récipient approprié. Ouvrir le robinet de vidange.

Remarque :

De l'eau restera quand même dans les composants et il faut prendre soin de cela lors de leur dépose.

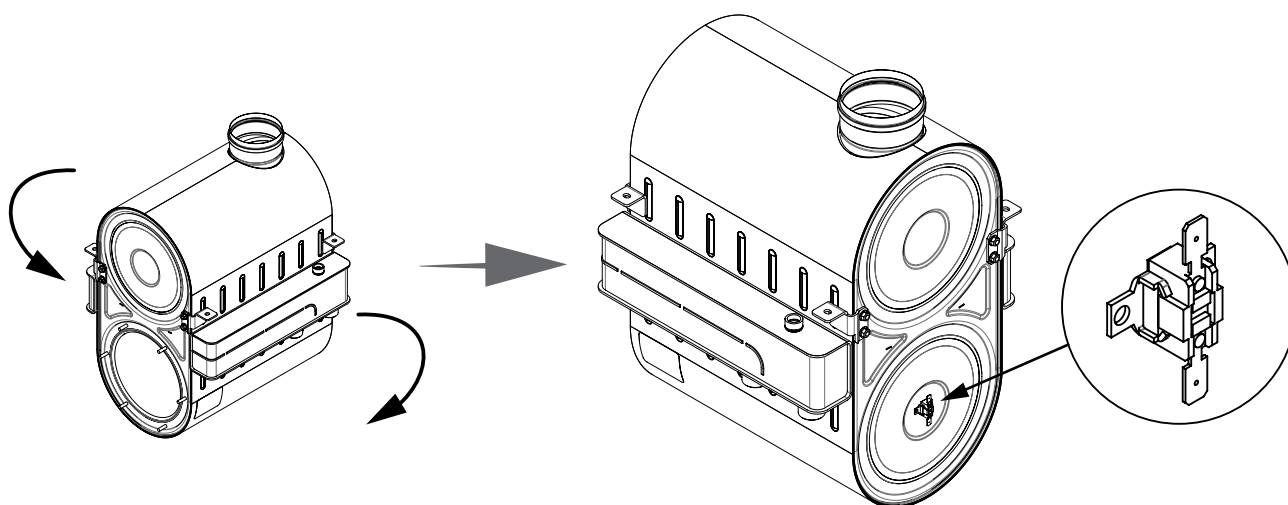
13.2.2 ÉLECTRODES



13.2.3 REMPLACEMENT FUSIBLE THERMIQUE/ÉCHANGEUR THERMIQUE

(Seulement pour le modèle LUNA DUO-TEC 1.110)

Le fusible thermique est situé à l'arrière de l'échangeur thermique comme indiqué sur le dessin ci-dessous. Il est branché électriquement en série avec le thermostat de sécurité. Sa fonction est de protéger l'échangeur thermique de la surchauffe en cas de panne de l'isolation. Si le fusible thermique s'ouvre, l'erreur E12 s'affichera sur l'écran. Si le fusible thermique s'ouvre, l'échangeur thermique doit être entièrement remplacé.



14. DÉMANTÈLEMENT, ÉLIMINATION ET RECYCLAGE



AVERTISSEMENT

Seuls des techniciens qualifiés sont autorisés à entretenir la chaudière et l'installation.

Avant de démanteler l'appareil, s'assurer que la source d'alimentation est débranchée, que la vanne d'arrivée de gaz est fermée et que tous les branchements de l'installation et de la chaudière sont mis en sécurité.

Éliminer l'appareil correctement conformément aux lois et dispositions en vigueur. L'appareil et les accessoires ne peuvent pas être éliminés avec les déchets normaux.

Plus de 90% des matériaux composant l'appareil sont recyclables.

Baxi N.A.
2201 Dwyer Ave
Utica, NY 13501
1-844-4 BAXINA
www.baxiboilers.com