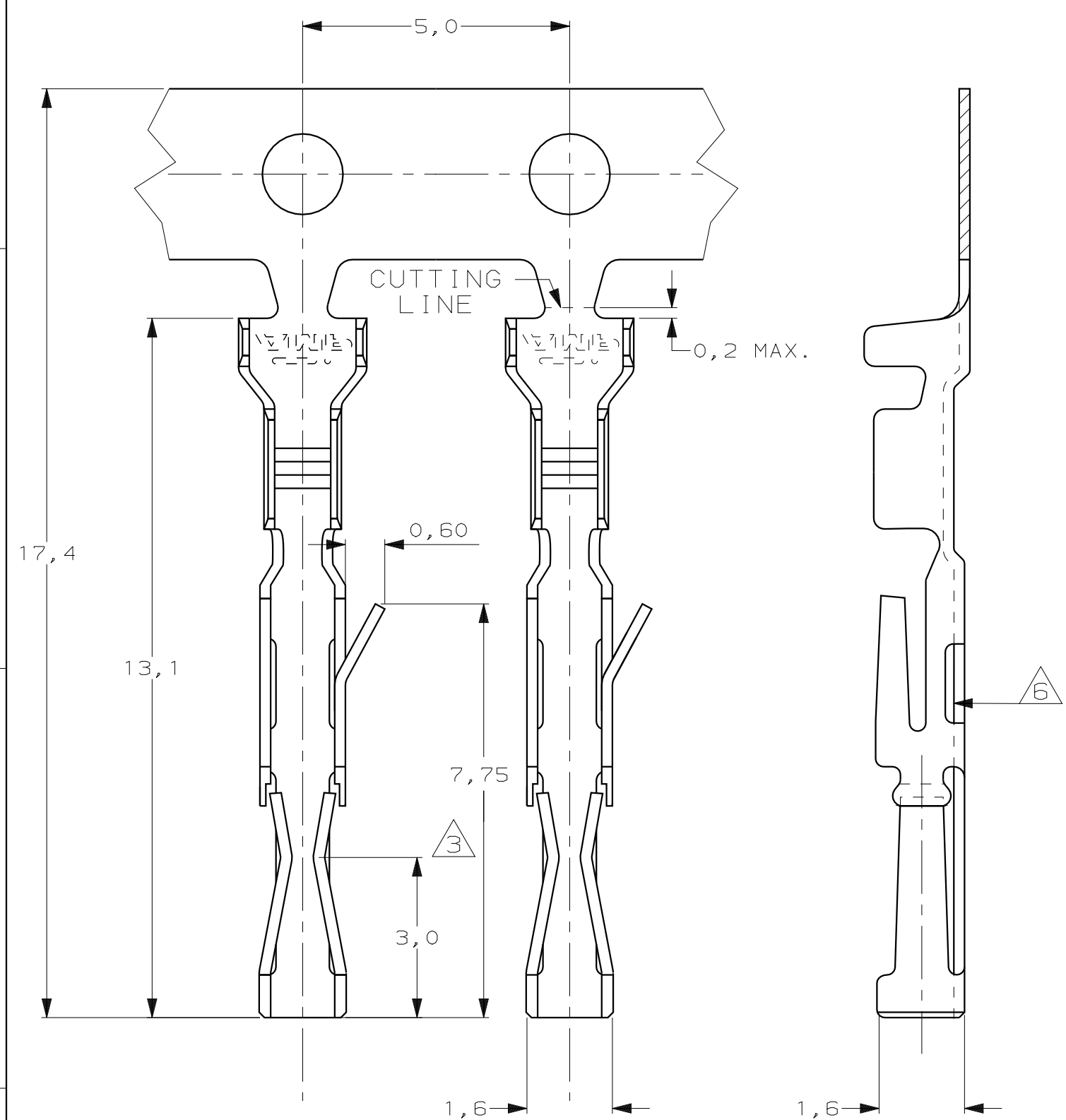


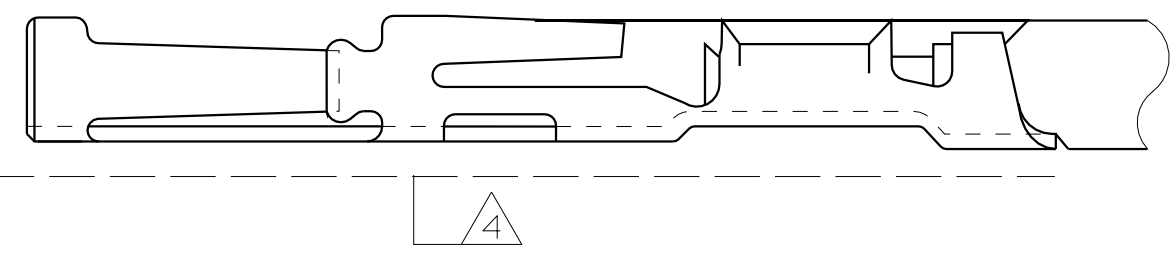
THIS DRAWING IS UNPUBLISHED.
 DIFFUSION RESÉINTE AMP
 © COPYRIGHT BY TYCO ELECTRONICS CORP. ALL RIGHTS RESERVED.
 TOUS DROITS RESERVES

LOC		DIST		REVISIONS			
P	LTR REV	DESCRIPTION MODIFICATIONS	DATE	DWN DESS.	APVD APP.		
F	7						
	F	REVISED	22-NOV-04	JD	-		
	G	UPDATED	15-FEB-06	JJD	-		



NOTES:

- ① CONTACT MATERIAL: PHOSPHORBRONZE
- ② PLATING: MIN. 2,5µm Sn
- ③ CONTACT POINT
- ④ BOTTOM OF CONTACT TO BE STRAIGHT AFTER CRIMPING OF WIRE
- 5 WIRE RANGE: 0,08-0,22mm²
INSULATION RANGE: 0,80-1,50 DIA.
- ⑥ OPTIONAL
- 7 THE CONTACT MEETS THE REQUIREMENT OF INTERNATIONAL STANDARD IEC 603-8
- ⑧ LOOSE PIECE VERSION



	188744-1	182734-2	⑧
②	①	188744-1	
FINISH	MATERIAL	PART NUMBER	

THIS DRAWING IS A CONTROLLED DOCUMENT. CE PLAN EST UN DOCUMENT CONTROLE.		DWN/DESSINE Jean-Jacques DESPREZ	22-NOV-04	TYCO ELECTRONICS FRANCE SAS BP 39, 95301 CERGY-PONTOISE CEDEX	
DIMENSIONS: mm		CHK/VERIFIE T CORRIOU		NAME Y PETRONIN	
TOLERANCES UNLESS OTHERWISE SPECIFIED. TOLERANCES NON SPECIFIEES (SUIV NB DE DECIMALES):		APVD /APPROUVE		PRODUCT SPEC SPEC. PRODUIT	
0 - PLC/DEC ±		APPLICATION SPEC SPEC. APPLICATION		SIZE FORMAT	
1 - PLC/DEC ±				CAGE CODE	
2 - PLC/DEC ±				DRAWING NO TITRE	
3 - PLC/DEC ±				RESTRICTED TO	
4 - PLC/DEC ±				UNIQUEMENT POUR REFERENCE	
ANGLES ±				SCALE ECHELLE 1:1	
MATERIAL MATIERE	FINISH FINITION	WEIGHT MASSE APPROX.		SHEET FEUILLE 1 OF 1 DE 1	
				REV G	